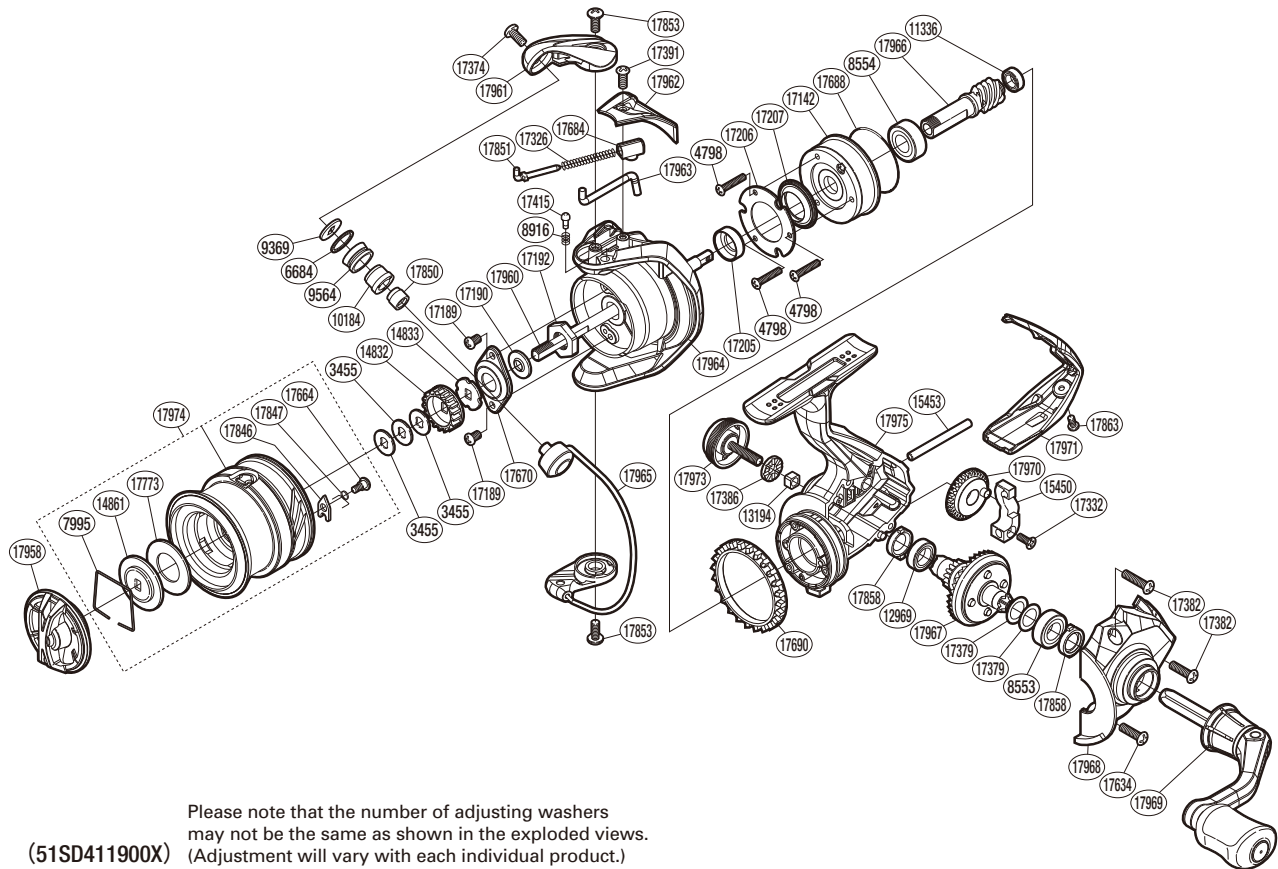


# SHIMANO

## NASCI

### NAS-C2000SFB



Please note that the number of adjusting washers may not be the same as shown in the exploded views. (51SD41900X) (Adjustment will vary with each individual product.)

Part No.	Description	Part No.	Description	Part No.	Description
RD 3455	Spool Washer	RD17192	Rotor Nut	RD17850	LINE ROLLER COLLAR
RD 4798	Screw	RD17205	Rotor Ring	RD17851	Bail Spring Guide
RD 6684	Line Roller Spacer	RD17206	Roller Clutch Reinforce	RD17853	Screw
RD 7995	Drag Washers Retainer	RD17207	Roller Clutch Water Proof	RD17858	Bearing Water Proof
RD 8553	Ball Bearing	RD17326	Bail Spring	RD17863	Screw
RD 8554	Ball Bearing	RD17332	Screw	RD17958	Drag Knob
RD 8916	Click Spring	RD17374	Screw	RD17960	Main Shaft
RD 9369	Line Roller Washer	RD17379	Washer	RD17961	Bail Arm
RD 9564	Line Roller	RD17382	Screw	RD17962	Bail Spring Cover
RD10184	Line Roller Bushing	RD17386	Handle Screw Cap Spacer	RD17963	Bail Trip Lever
RD11336	Ball Bearing	RD17391	Screw	RD17964	Rotor
RD12969	Ball Bearing	RD17415	Click Pin	RD17965	Bail Assembly
RD13194	Handle Screw Lock	RD17634	Screw	RD17966	Pinion Gear
RD14832	Spool Support A	RD17664	Screw	RD17967	Drive Gear
RD14833	Spool Support B	RD17670	Rotor Nut Lock Plate	RD17968	Side Cover
RD14861	Key Washer	RD17684	Bail Spring Seat	RD17969	Handle Assembly
RD15450	Oscillating Slider	RD17688	O Ring	RD17970	Oscillating Gear
RD15453	Oscillating Guide	RD17690	Friction Ring	RD17971	Rear Protector
RD17142	Roller Clutch Assembly	RD17773	Drag Washer	RD17973	Handle Screw Cap
RD17189	Screw	RD17846	Drag Click	RD17974	Spool Assembly
RD17190	Bearing Water Proof	RD17847	Drag Click Spring	RD17975	Body