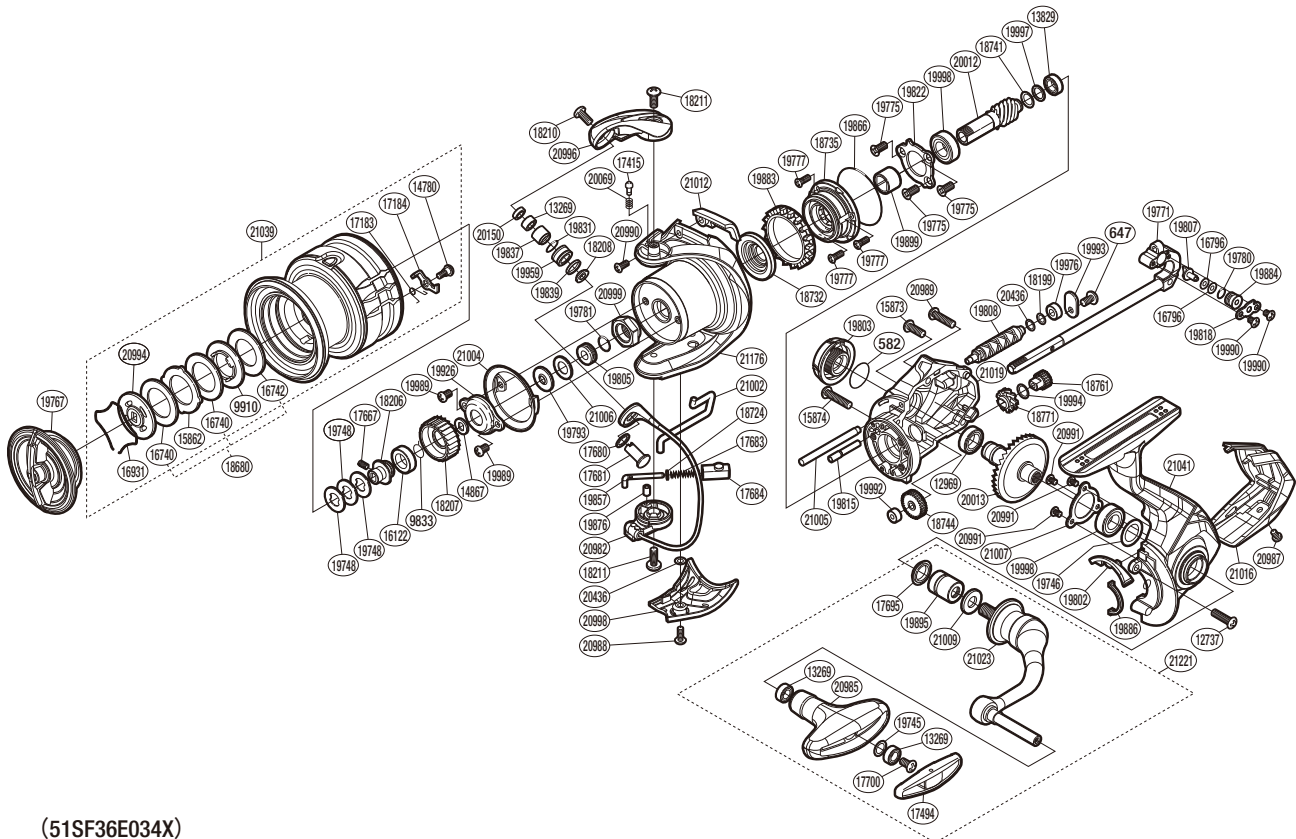


# SHIMANO

## VANFORD SA-RB

## VFC3000HGF



(51SF36E034X)

Please note that the number of adjusting washers may not be the same as shown in the exploded views.  
(Adjustment will vary with each individual product.)

Part No.	Description	Part No.	Description	Part No.	Description
RD 0582	O Ring	RD18735	Roller Clutch Assembly	RD19990	Screw
RD 0647	Screw	RD18741	Washer	RD19992	Worm Bushing (Front)
RD 9833	Ratchet Spring	RD18744	Idle Gear	RD19993	Worm Shaft Retainer
RD 9910	Key Washer	RD18761	Idle Gear B Small	RD19994	Washer
RD12737	Screw	RD18771	Idle Gear B Large	RD19997	Washer
RD12969	Ball Bearing	RD19745	Washer	RD19998	Ball Bearing
RD13269	Ball Bearing	RD19746	Washer	RD20012	Pinion Gear
RD13829	Ball Bearing	RD19748	Washer	RD20013	Drive Gear
RD14780	Screw	RD19767	Drag Knob Assembly	RD20069	Click Spring
RD14867	Spool Support	RD19771	Main Shaft Assembly	RD20150	Line Roller Collar
RD15862	Eared Washer	RD19775	Screw	RD20436	Washer
RD15873	Screw	RD19777	Screw	RD20982	Bail Assembly
RD15874	Screw	RD19780	O Ring	RD20985	Handle Knob
RD16122	Spool Bushing	RD19781	O Ring	RD20987	Screw
RD16740	Drag Washer	RD19793	Bearing Water Proof	RD20988	Screw
RD16742	Drag Washer	RD19802	Bail Trip Strike	RD20989	Screw
RD16796	Spacer	RD19803	Handle Screw Cap	RD20990	Screw
RD16931	Drag Washer Retainer	RD19805	Main Shaft Collar	RD20991	Screw
RD17183	Drag Click Spring	RD19807	Oscillating Pawl	RD20994	Key Washer
RD17184	Drag Click	RD19808	Worm Shaft	RD20996	Bail Arm
RD17415	Click Pin	RD19815	Idle Gear B Shaft	RD20998	Bail Hold Support Guard
RD17494	Handle Knob Seal	RD19818	Oscillating Pawl Cover	RD20999	Rotor Nut
RD17667	Set Screw	RD19822	Bearing Retainer	RD21002	Bail Trip Lever
RD17680	Washer	RD19831	O Ring	RD21004	Rotor Brim
RD17681	Line Roller Support	RD19837	Line Roller Bushing	RD21005	Oscillating Guide A
RD17683	Bail Spring	RD19839	Line Roller Spacer	RD21006	Washer
RD17684	Bail Spring Guide B	RD19857	Bail Spring Guide A	RD21007	Bearing Retainer
RD17695	Handle Shaft Seal	RD19866	O Ring	RD21009	Washer
RD17700	Screw	RD19876	Bail Spring Guide A Bush	RD21012	Counter Weight Cover
RD18199	Spacer	RD19883	Friction Ring	RD21016	Rear Protector
RD18206	Bearing Bushing	RD19884	Oscillating Slider Bushing	RD21019	Body
RD18207	Drag Click Ratchet	RD19886	Flange Water Proof	RD21023	Handle Shank Assembly
RD18208	Spacer	RD19895	Handle Shaft Cover B	RD21039	Spool Assembly
RD18210	Screw	RD19899	Roller Clutch Inner	RD21041	Side Cover Assembly
RD18211	Screw	RD19926	Rotor Nut Lock Plate	RD21176	Rotor
RD18680	Drag Washer	RD19959	Line Roller	RD21221	Handle Assembly
RD18724	Spring Guide A Support	RD19976	Worm Bushing (Rear)		
RD18732	Rotor Ring	RD19989	Screw	RD18054	Anti Line Slip Sticker