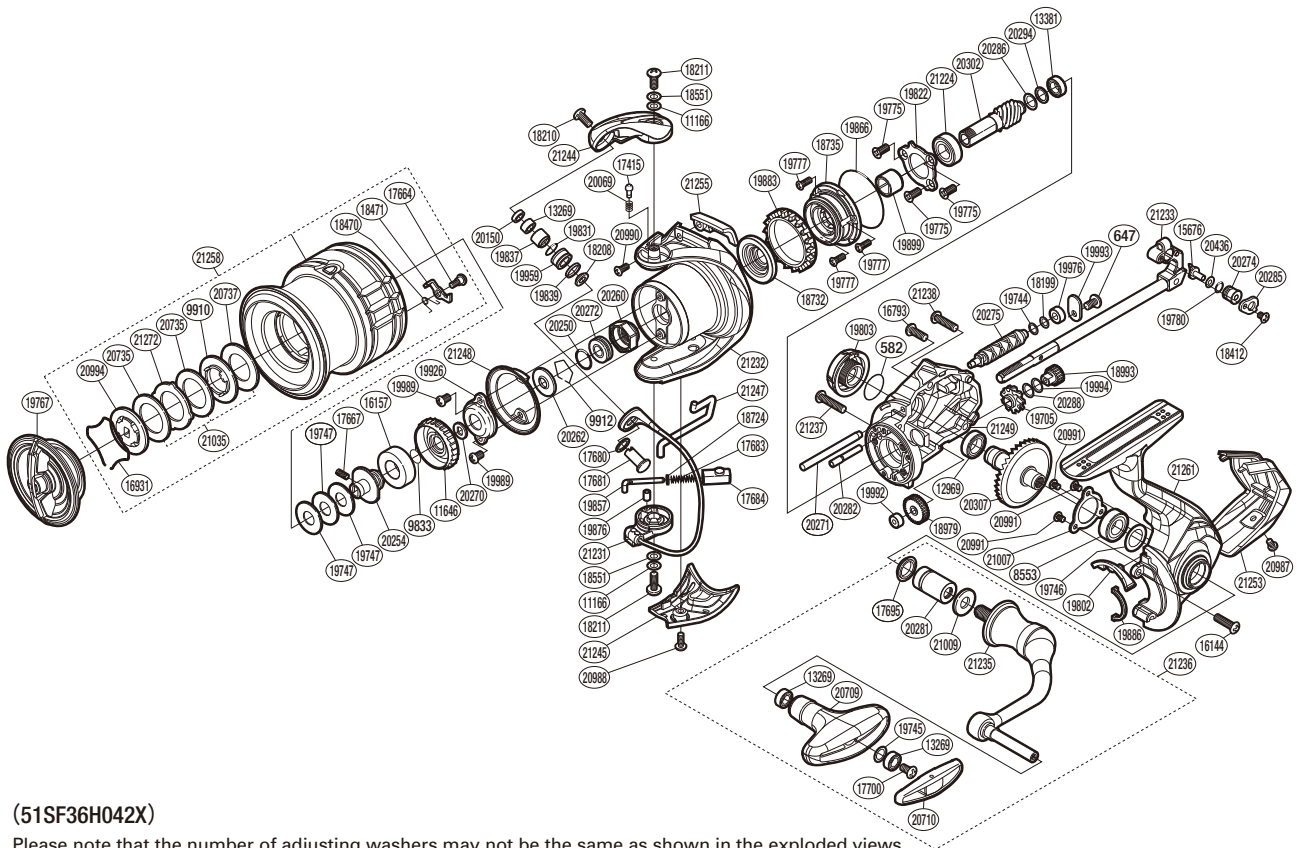


SHIMANO

VANFORD SA-RB

VF4000MHGF



(51SF36H042X)

Please note that the number of adjusting washers may not be the same as shown in the exploded views.
(Adjustment will vary with each individual product.)

Part No.	Description	Part No.	Description	Part No.	Description
RD 0582	O Ring	RD19745	Washer	RD20286	Washer
RD 0647	Screw	RD19746	Washer	RD20288	Spacer
RD 8553	Ball Bearing	RD19747	Washer	RD20294	Washer
RD 9833	Ratchet Spring	RD19767	Drag Knob Assembly	RD20302	Pinion Gear
RD 9910	Key Washer	RD19775	Screw	RD20307	Drive Gear
RD 9912	Bearing Retainer	RD19777	Screw	RD20436	Washer
RD11166	Washer	RD19780	O Ring	RD20709	Handle Knob
RD11646	Drag Click Ratchet	RD19802	Bail Trip Strike	RD20710	Handle Knob Seal
RD12969	Ball Bearing	RD19803	Handle Screw Cap	RD20735	Drag Washer
RD13269	Ball Bearing	RD19822	Bearing Retainer	RD20737	Drag Washer
RD13381	Ball Bearing	RD19831	O Ring	RD20987	Screw
RD15676	Oscillating Pawl	RD19837	Line Roller Bushing	RD20988	Screw
RD16144	Screw	RD19839	Line Roller Spacer	RD20990	Screw
RD16157	Spool Bushing	RD19857	Bail Spring Guide A	RD20991	Screw
RD16793	Screw	RD19866	O Ring	RD20994	Key Washer
RD16931	Drag Washer Retainer	RD19876	Bail Spring Guide A Bush	RD21007	Bearing Retainer
RD17415	Click Pin	RD19883	Friction Ring	RD21009	Washer
RD17664	Screw	RD19886	Flange Water Proof	RD21035	Drag Washer
RD17667	Set Screw	RD19899	Roller Clutch Inner	RD21224	Ball Bearing
RD17680	Washer	RD19926	Rotor Nut Lock Plate	RD21231	Bail Assembly
RD17681	Line Roller Support	RD19959	Line Roller	RD21232	Rotor Assembly
RD17683	Bail Spring	RD19976	Worm Bushing (Rear)	RD21233	Main Shaft Assembly
RD17684	Bail Spring Guide B	RD19989	Screw	RD21235	Handle Shank Assembly
RD17695	Handle Shaft Seal	RD19992	Worm Bushing (Front)	RD21236	Handle Assembly
RD17700	Screw	RD19993	Worm Shaft Retainer	RD21237	Screw
RD18199	Spacer	RD19994	Washer	RD21238	Screw
RD18208	Spacer	RD20069	Click Spring	RD21244	Bail Arm
RD18210	Screw	RD20150	Line Roller Collar	RD21245	Bail Hold Support Guard
RD18211	Screw	RD20250	O Ring	RD21247	Bail Trip Lever
RD18412	Screw	RD20254	Bearing Bushing	RD21248	Rotor Brim
RD18470	Drag Click Spring	RD20260	Rotor Nut	RD21249	Body
RD18471	Drag Click	RD20262	Bearing Water Proof	RD21253	Rear Protector
RD18551	Washer	RD20270	Spool Support	RD21255	Counterweight Cover
RD18724	Spring Guide A Support	RD20271	Oscillating Guide A	RD21258	Spool Assembly
RD18732	Rotor Ring	RD20272	Main Shaft Collar	RD21261	Side Cover Assembly
RD18735	Roller Clutch Assembly	RD20274	Oscillating Slider Bushing	RD21272	Eared Washer
RD18979	Idle Gear	RD20275	Worm Shaft		
RD18993	Idle Gear B Small	RD20281	Handle Shaft Cover B		
RD19705	Idle Gear B Large	RD20282	Idle Gear B Shaft		
RD19744	Washer	RD20285	Oscillating Pawl Cover	RD18054	Anti Line Slip Sticker