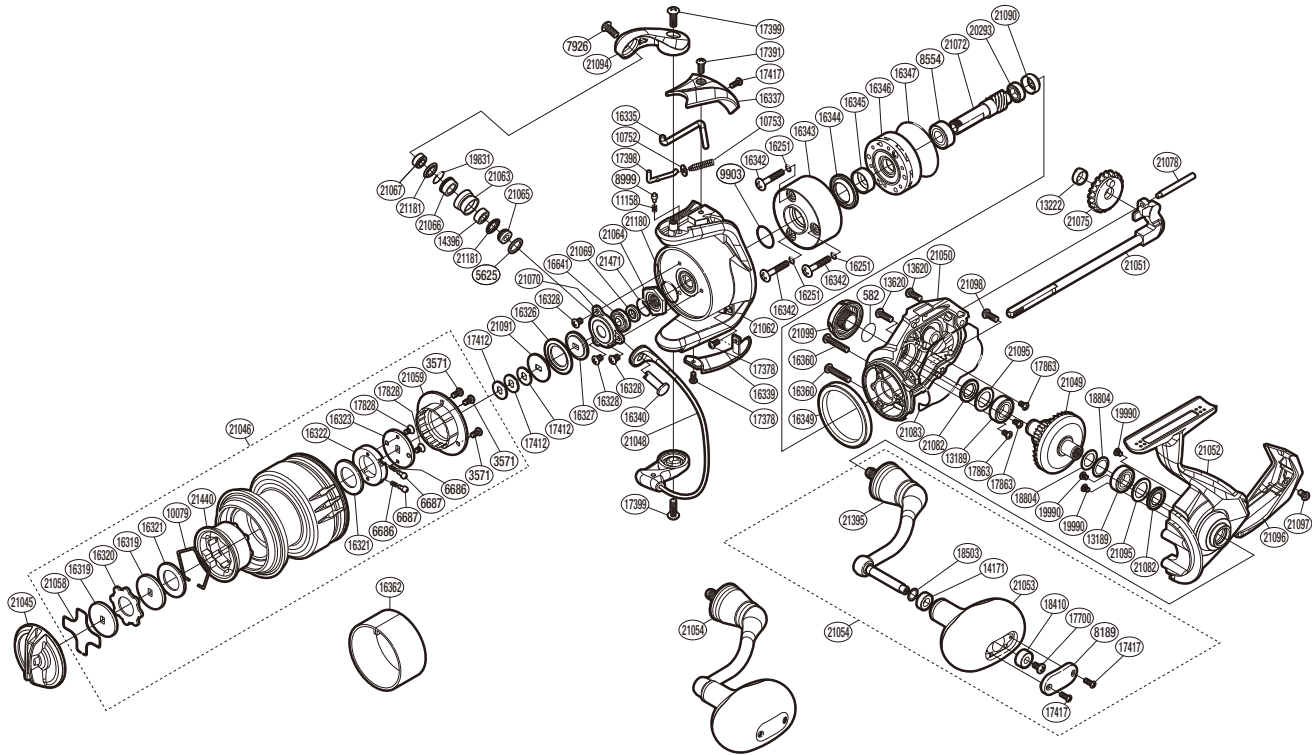


SHIMANO

SARAGOSA

SRG5000SWAXG



(51SF30K053X)

Please note that the number of adjusting washers may not be the same as shown in the exploded views.
(Adjustment will vary with each individual product.)

| Part No. | Description | Part No. | Description | Part No. | Description |
|----------|-----------------------------|----------|---------------------------|----------|----------------------------|
| RD 0582 | O Ring | RD16344 | Roller Clutch Water Proof | RD21059 | Drag Cover |
| RD 3571 | Screw | RD16345 | Rotor Ring | RD21062 | Rotor |
| RD 5625 | Line Roller Spacer | RD16346 | Roller Clutch Assembly | RD21063 | Line Roller |
| RD 6686 | Click Spring | RD16347 | Roller Clutch Cover Seal | RD21064 | Rotor Nut |
| RD 6687 | Click Pin | RD16349 | Friction Ring | RD21065 | Line Roller Support Collar |
| RD 8189 | Handle Knob I.D. Plate | RD16360 | Screw | RD21066 | Line Roller Bushing |
| RD 8999 | Click Pin | RD16641 | Bearing Water Proof | RD21067 | Line Roller Washer |
| RD 9903 | O Ring | RD17378 | Screw | RD21069 | Main Shaft Spacer |
| RD10079 | Drag Washer Retainer | RD17391 | Screw | RD21070 | Nut Lock Plate |
| RD10752 | Bail Spring Guide A Support | RD17398 | Bail Spring Guide A | RD21072 | Pinion Gear |
| RD10753 | Bail Spring | RD17399 | Screw | RD21075 | Oscillating Gear |
| RD11158 | Click Spring | RD17412 | Spool Washer | RD21078 | Oscillating Guide |
| RD13189 | Ball Bearing | RD17417 | Screw | RD21082 | Bearing Water Proof |
| RD13222 | Oscillating Gear Bushing | RD17700 | Screw | RD21083 | Body Seal |
| RD13620 | Screw | RD17828 | Screw | RD21090 | Bushing |
| RD14171 | Handle Knob Bushing B | RD17863 | Screw | RD21094 | Bail Arm |
| RD14396 | Ball Bearing | RD18410 | Handle Knob Bushing A | RD21095 | Washer |
| RD16251 | O Ring | RD19745 | Washer | RD21096 | Rear Protector |
| RD16319 | Key Washer | RD19754 | Washer | RD21097 | Screw |
| RD16320 | Eared Washer | RD19831 | O Ring | RD21098 | Screw |
| RD16321 | Drag Washer | RD19990 | Screw | RD21099 | Handle Screw Cap |
| RD16322 | Drag Click Holder | RD20293 | Ball Bearing | RD21179 | Spool Support B |
| RD16323 | Drag Click Holder Cover | RD21045 | Drag Knob | RD21180 | O Ring |
| RD16326 | Spool Support Seal | RD21046 | Spool Assembly | RD21181 | Line Roller Seal |
| RD16327 | Spool Support | RD21048 | Bail Assembly | RD21224 | Ball Bearing |
| RD16328 | Screw | RD21049 | Drive Gear | RD21225 | Screw |
| RD16335 | Bail Trip Lever | RD21050 | Body Assembly | RD21395 | Handle Shank Assembly |
| RD16337 | Bail Spring Cover | RD21051 | Main Shaft Assembly | RD21440 | Spool Bushing |
| RD16339 | Bail Hold Support Guard | RD21052 | Side Cover | RD21471 | O Ring |
| RD16340 | Line Roller Support | RD21053 | Handle Knob Assembly | | |
| RD16342 | Screw | RD21054 | Handle Assembly | | |
| RD16343 | Roller Clutch Cover | RD21058 | Drag Washer Retainer | RD16362 | Line Band (Accessory) |