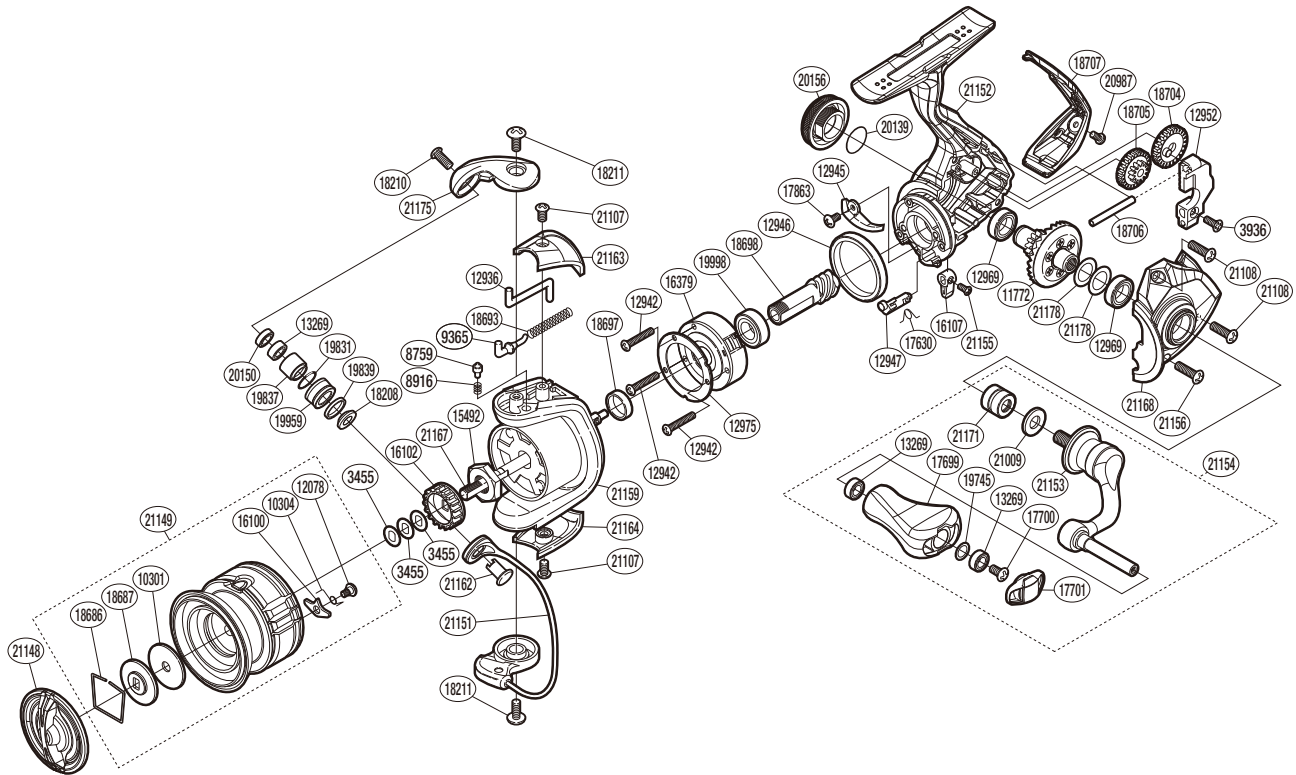


# SHIMANO

VANFORD SA-RB

VF500F



(51SF36B005X)

Please note that the number of adjusting washers may not be the same as shown in the exploded views.  
(Adjustment will vary with each individual product.)

Part No.	Description	Part No.	Description	Part No.	Description
RD 3455	Washer	RD17699	Handle Knob	RD20156	Handle Screw Cap
RD 3936	Screw	RD17700	Screw	RD20987	Screw
RD 8759	Click Pin	RD17701	Handle Knob Seal	RD21009	Washer
RD 8916	Click Spring	RD17863	Screw	RD21107	Screw
RD 9365	Bail Spring Guide A	RD18208	Spacer	RD21108	Screw
RD10301	Drag Washer	RD18210	Screw	RD21148	Drag Knob Assembly
RD10304	Drag Click Spring	RD18211	Screw	RD21149	Spool Assembly
RD11772	Drive Gear Assembly	RD18686	Drag Washer Retainer	RD21151	Bail Assembly
RD12078	Screw	RD18687	Key Washer	RD21152	Body Assembly
RD12936	Bail Trip Lever	RD18693	Bail Spring	RD21153	Handle Shank Assembly
RD12942	Screw	RD18697	Rotor Ring	RD21154	Handle Assembly
RD12945	Bail Trip Strike	RD18698	Pinion Gear	RD21155	Screw
RD12946	Friction Ring	RD18704	Oscillating Gear	RD21156	Screw
RD12947	Anti-Reverse Cam	RD18705	Idle Gear B Large	RD21159	Rotor
RD12952	Oscillating Slider	RD18706	Oscillating Guide	RD21162	Line Roller Support
RD12969	Ball Bearing	RD18707	Rear Protector	RD21163	Bail Spring Cover
RD12975	Roller Clutch Reinforce	RD19745	Washer	RD21164	Bail Hold Support Guard
RD13269	Ball Bearing	RD19831	O Ring	RD21167	Main Shaft
RD15492	Rotor Nut	RD19837	Line Roller Bushing	RD21168	Side Cover
RD16100	Drag Click	RD19839	Line Roller Spacer	RD21171	Handle Shaft Cover B
RD16102	Spool Support	RD19959	Line Roller	RD21175	Bail Arm
RD16107	Anti-Reverse Lever	RD19998	Ball Bearing	RD21178	Washer
RD16379	Roller Clutch Assembly	RD20139	O Ring		
RD17630	Anti-Reverse Cam Spring	RD20150	Line Roller Collar	RD18054	Anti Line Slip Sticker