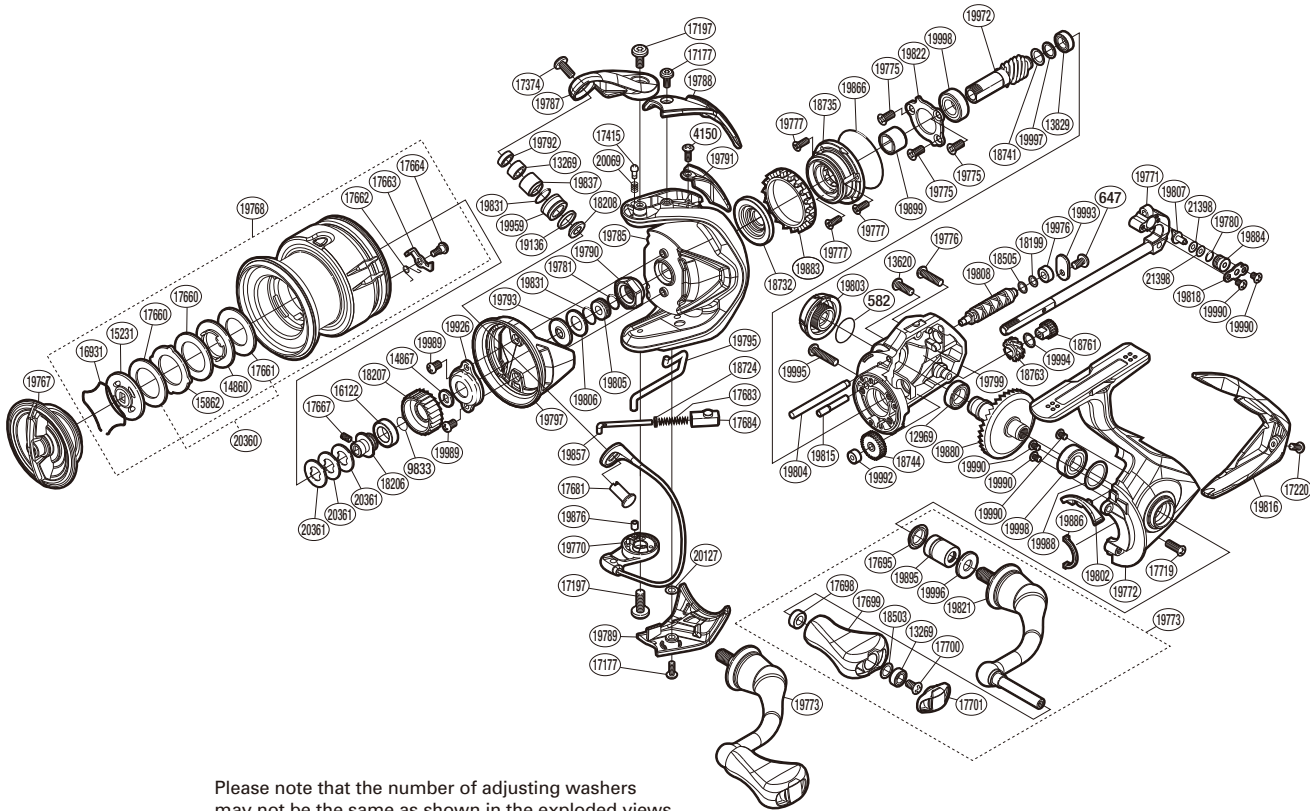


SHIMANO

STRADIC S A-RB

STRADIC2500L



Please note that the number of adjusting washers may not be the same as shown in the exploded views. (51SF27E025X) (Adjustment will vary with each individual product.)

Part No.	Description	Part No.	Description	Part No.	Description
RD 0582	O Ring	RD18503	Washer	RD19808	Worm Shaft
RD 0647	Screw	RD18505	Washer	RD19815	Idle Gear B Shaft
RD 4150	Screw	RD18724	Spring Guide A Support	RD19816	Rear Protector
RD 9833	Ratchet Spring	RD18732	Rotor Ring	RD19818	Oscillating Pawl Cover
RD12969	Ball Bearing	RD18735	Roller Clutch Assembly	RD19821	Handle Shank Assembly
RD13269	Ball Bearing	RD18741	Washer	RD19822	Bearing Retainer
RD13620	Screw	RD18744	Idle Gear	RD19831	O Ring
RD13829	Washer	RD18761	Idle Gear B Small	RD19837	Line Roller Bushing
RD14860	Key Washer	RD18763	Idle Gear B Large	RD19857	Bail Spring Guide A
RD14867	Spool Support	RD19136	Line Roller Spacer	RD19866	O Ring
RD15231	Key Washer	RD19767	Drag Knob Assembly	RD19876	Bail Spring Guide A Bush
RD15862	Eared Washer	RD19768	Spool Assembly	RD19880	Drive Gear
RD16122	Spool Bushing	RD19770	Bail Assembly	RD19883	Friction Ring
RD16931	Drag Washer Retainer	RD19771	Main Shaft Assembly	RD19884	Oscillating Slider Bushing
RD17177	Screw	RD19772	Side Cover Assembly	RD19886	Flange Water Proof
RD17197	Screw	RD19773	Handle Assembly	RD19895	Handle Shaft Cover B
RD17220	Screw	RD19775	Screw	RD19899	Roller Clutch Inner
RD17374	Screw	RD19776	Screw	RD19926	Rotor Nut Lock Plate
RD17415	Click Pin	RD19777	Screw	RD19959	Line Roller
RD17660	Drag Washer	RD19780	O Ring	RD19972	Pinion Gear
RD17661	Drag Washer	RD19781	O Ring	RD19976	Worm Bushing (Rear)
RD17662	Drag Click Spring	RD19785	Rotor	RD19988	Washer
RD17663	Drag Click	RD19787	Bail Arm	RD19989	Screw
RD17664	Screw	RD19788	Bail Spring Cover	RD19990	Screw
RD17667	Set Screw	RD19789	Bail Hold Support Guard	RD19992	Worm Bushing (Front)
RD17681	Line Roller Support	RD19790	Rotor Nut	RD19993	Worm Shaft Retainer
RD17683	Bail Spring	RD19791	Counter Weight	RD19994	Washer
RD17684	Bail Spring Guide B	RD19792	Line Roller Collar	RD19995	Screw
RD17695	Handle Shaft Seal	RD19793	Bearing Water Proof	RD19996	Washer
RD17698	Handle Knob Bushing	RD19795	Bail Trip Lever	RD19997	Washer
RD17699	Handle Knob	RD19797	Rotor Brim	RD19998	Ball Bearing
RD17700	Screw	RD19799	Body	RD20069	Click Spring
RD17701	Handle Knob Seal	RD19802	Bail Trip Strike	RD20127	Washer
RD17719	Screw	RD19803	Handle Screw Cap	RD20360	Drag Washer
RD18199	Washer	RD19804	Oscillating Guide A	RD20361	Spool Washer
RD18206	Bearing Bushing	RD19805	Main Shaft Collar	RD21398	Washer
RD18207	Drag Click Ratchet	RD19806	Washer		
RD18208	Spacer	RD19807	Oscillating Pawl		