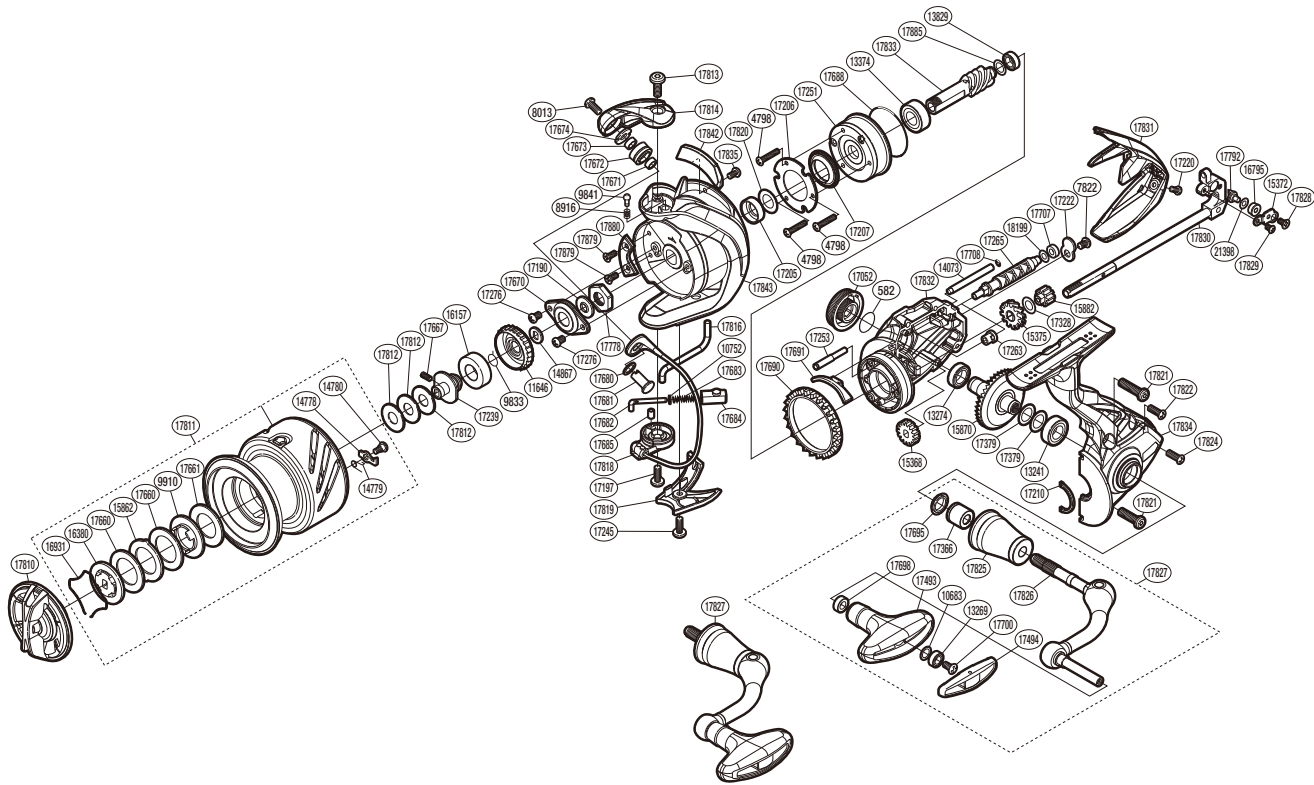


SHIMANO

STRADIC *CI4+* SA-RB

STCI4-4000FB



Please note that the number of adjusting washers may not be the same as shown in the exploded views. (51SE794002X) (Adjustment will vary with each individual product.)

Part No.	Description	Part No.	Description	Part No.	Description
RD 0582	O Ring	RD17207	Roller Clutch Water Proof	RD17707	Worm Bushing
RD 4798	Roller Clutch Screw	RD17210	Flange Water Proof	RD17708	O Ring
RD 7822	Screw	RD17220	Screw	RD17778	Rotor Nut
RD 8013	Screw	RD17222	Worm Shaft Retainer	RD17792	Oscillating Pawl
RD 8916	Click Spring	RD17239	Bearing Bushing	RD17810	Drag Knob
RD 9833	Ratchet Spring	RD17245	Screw	RD17811	Spool Assembly
RD 9841	Click Pin	RD17251	Roller Clutch Assembly	RD17812	Spool Washer
RD 9910	Key Washer	RD17253	Idle Gear B Shaft	RD17813	Screw
RD10683	Washer	RD17263	Worm Bushing (Front)	RD17814	Bail Arm
RD10752	Bail Spring Guide A Support	RD17265	Worm Shaft	RD17816	Bail Trip Lever
RD11646	Drag Click Ratchet	RD17276	Screw	RD17818	Bail Assembly
RD13241	Ball Bearing	RD17328	Washer	RD17819	Bail Hold Support Guard
RD13269	Ball Bearing	RD17366	Handle Shaft Cover B	RD17820	Washer
RD13274	Ball Bearing	RD17379	Washer	RD17821	Screw
RD13374	Ball Bearing	RD17493	Handle Knob	RD17822	Screw
RD13829	Ball Bearing	RD17494	Handle Knob Seal	RD17824	Screw
RD14073	Oscillating Guide	RD17660	Drag Washer	RD17825	Handle Shaft Cover
RD14778	Drag Click	RD17661	Drag Washer	RD17826	Handle Shank Assembly
RD14779	Drag Click Spring	RD17667	Set Screw	RD17827	Handle Assembly
RD14780	Screw	RD17670	Rotor Nut Lock Plate	RD17828	Screw
RD14867	Spool Support	RD17671	Bearing Spacer	RD17829	Screw
RD15368	Idle Gear	RD17672	Line Roller(With Bearing)	RD17830	Main Shaft Assembly
RD15372	Oscillating Pawl Cover	RD17673	Bearing Spacer	RD17831	Rear Protector
RD15375	Idle Gear B (Large)	RD17674	Line Roller Plate	RD17832	Body
RD15862	Eared Washer	RD17680	Washer	RD17833	Pinion Gear
RD15870	Drive Gear	RD17681	Line Roller Support	RD17834	Side Cover
RD15882	Idle Gear B (Small)	RD17682	Bail Spring Guide A	RD17835	Screw
RD16157	Spool Bushing	RD17683	Bail Spring	RD17842	Counterweight Cover Assembly
RD16380	Key Washer	RD17684	Bail Spring Seat	RD17843	Rotor
RD16795	Oscillating Slider Bushing	RD17685	Bail Spring Guide A Bush	RD17879	Screw
RD16931	Drag Washers Retainer	RD17688	O Ring	RD17880	Counter Weight A
RD17052	Handle Screw Cap	RD17690	Friction Ring	RD17885	Washer
RD17190	Bearing Water Proof	RD17691	Bail Trip Strike	RD18199	Washer
RD17197	Screw	RD17695	Handle Shaft Seal	RD21398	Washer
RD17205	Rotor Ring	RD17698	Handle Knob Bushing		
RD17206	Roller Clutch Reinforce	RD17700	Screw		