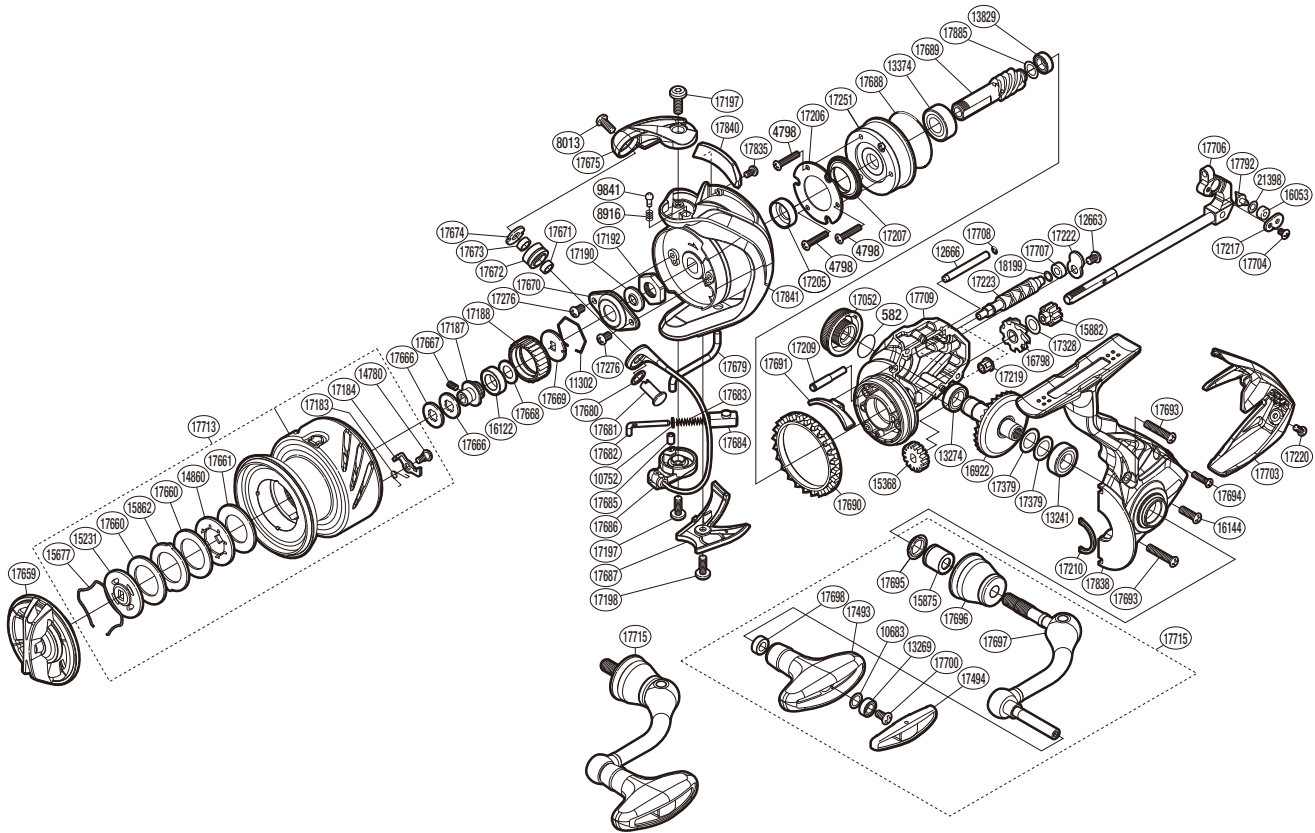


SHIMANO

STRADIC C14+ SA-RB

STCI4-C3000FB



Please note that the number of adjusting washers may not be the same as shown in the exploded views.

(51SE793002X) (Adjustment will vary with each individual product.)

Part No.	Description	Part No.	Description	Part No.	Description
RD 0582	O Ring	RD17192	Rotor Nut	RD17681	Line Roller Support
RD 4798	Screw	RD17197	Screw	RD17682	Bail Spring Guide A
RD 8013	Screw	RD17198	Screw	RD17683	Bail Spring
RD 8916	Click Spring	RD17205	Rotor Ring	RD17684	Bail Spring Seat
RD 9841	Click Pin	RD17206	Roller Clutch Reinforce	RD17685	Bail Spring Guide A Bush
RD10683	Washer	RD17207	Roller Clutch Water Proof	RD17686	Bail Assembly
RD10752	Spring Guide A Support	RD17209	Idle Gear B Shaft	RD17687	Bail Hold Support Guard
RD11302	Ratchet Spring	RD17210	Flange Water Proof	RD17688	O Ring
RD12663	Screw	RD17217	Oscillating Pawl Cover	RD17689	Pinion Gear
RD12666	Oscillating Guide A	RD17219	Worm Bushing (Front)	RD17690	Friction Ring
RD13241	Ball Bearing	RD17220	Screw	RD17691	Bail Trip Strike
RD13269	Ball Bearing	RD17222	Worm Shaft Retainer	RD17693	Screw
RD13274	Ball Bearing	RD17223	Worm Shaft	RD17694	Screw
RD13374	Ball Bearing	RD17251	Roller Clutch Assembly	RD17695	Handle Shaft Seal
RD13829	Ball Bearing	RD17276	Screw	RD17696	Handle Shaft Cover
RD14780	Screw	RD17328	Washer	RD17697	Handle Shank Assembly
RD14860	Key Washer	RD17379	Washer	RD17698	Handle Knob Bushing
RD15231	Key Washer	RD17493	Handle Knob	RD17700	Screw
RD15368	Idle Gear	RD17494	Handle Knob Seal	RD17703	Rear Protector
RD15677	Drag Washers Retainer	RD17659	Drag Knob	RD17704	Screw
RD15862	Eared Washer	RD17660	Drag Washer	RD17706	Main Shaft Assembly
RD15875	Handle Shaft Cover B	RD17661	Drag Washer	RD17707	Worm Bushing
RD15882	Idle Gear B (Small)	RD17666	Spool Washer	RD17708	O Ring
RD16053	Oscillating Slider Bushing	RD17667	Set Screw	RD17709	Body
RD16122	Spool Bushing	RD17668	Washer	RD17713	Spool Assembly
RD16144	Screw	RD17669	Spool Support	RD17715	Handle Assembly
RD16798	Idle Gear B (Large)	RD17670	Rotor Nut Lock Plate	RD17792	Oscillating Pawl
RD16922	Drive Gear	RD17671	Bearing Spacer	RD17835	Screw
RD17052	Handle Screw Cap	RD17672	Line Roller	RD17838	Side Cover
RD17183	Drag Click Spring	RD17673	Bearing Spacer	RD17840	Counterweight Cover Assembly
RD17184	Drag Click	RD17674	Line Roller Plate	RD17841	Rotor
RD17187	Bearing Bushing	RD17675	Bail Arm	RD17885	Washer
RD17188	Drag Click Ratchet	RD17679	Bail Trip Lever	RD18199	Washer
RD17190	Bearing Water Proof	RD17680	Washer	RD21398	Washer