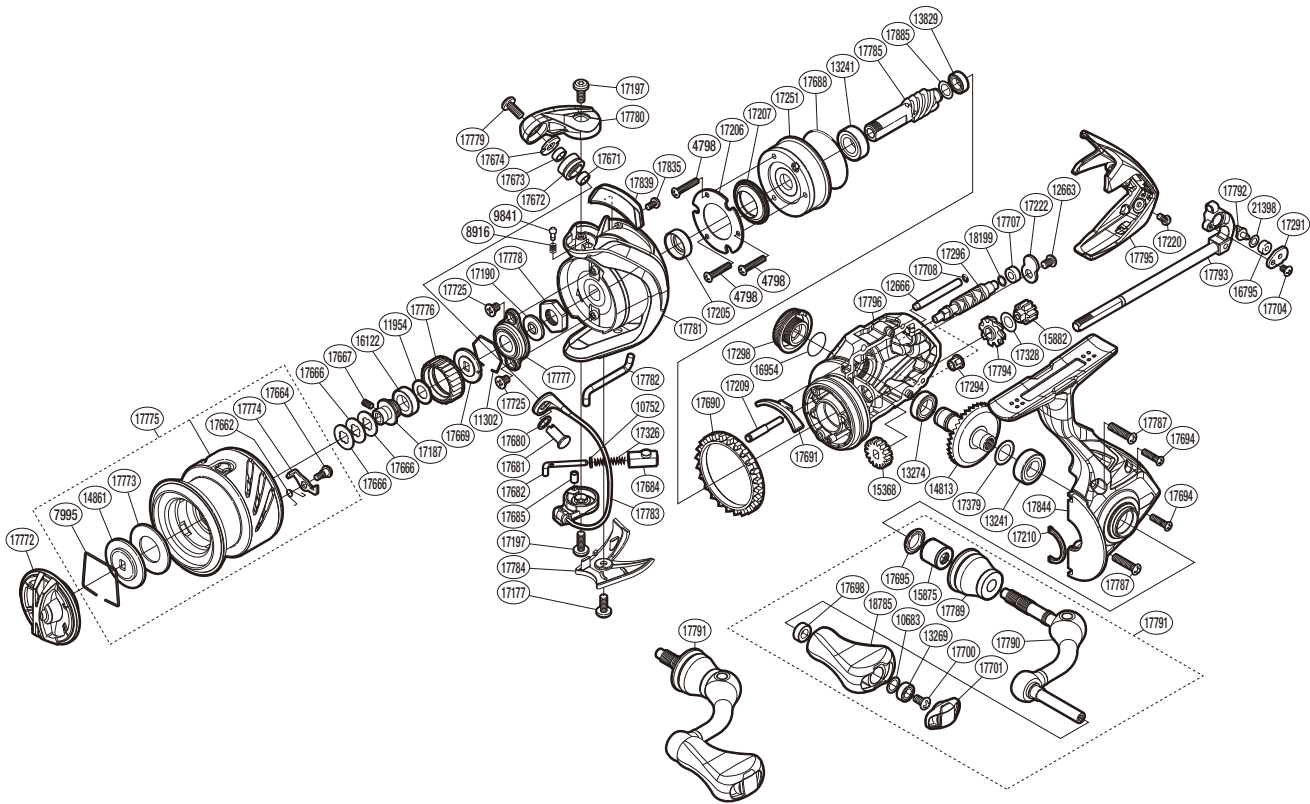


SHIMANO

STRADIC *CI4+* SA-RB

STCI4-1000FB



Please note that the number of adjusting washers may not be the same as shown in the exploded views.

(51SE791002X) (Adjustment will vary with each individual product.)

Part No.	Description	Part No.	Description	Part No.	Description
RD 4798	Screw	RD17251	Roller Clutch Assembly	RD17725	Screw
RD 7995	Drag Washer Retainer	RD17291	Oscillating Pawl Cover	RD17772	Drag Knob
RD 8916	Click Spring	RD17294	Worm Bushing (Front)	RD17773	Drag Washer
RD 9841	Click Pin	RD17296	Worm Shaft	RD17774	Drag Click
RD10683	Washer	RD17298	Handle Screw Cap	RD17775	Spool Assembly
RD10752	Bail Spring Guide A Support	RD17326	Bail Spring	RD17776	Drag Click Ratchet
RD11302	Ratchet Spring	RD17328	Washer	RD17777	Rotor Nut Lock Plate
RD11954	Washer	RD17379	Washer	RD17778	Rotor Nut
RD12663	Screw	RD17662	Drag Click Spring	RD17779	Screw
RD12666	Oscillating Guide A	RD17664	Screw	RD17780	Bail Arm
RD13241	Ball Bearing	RD17666	Spool Washer	RD17781	Rotor
RD13269	Ball Bearing	RD17667	Set Screw	RD17782	Bail Trip Lever
RD13274	Ball Bearing	RD17669	Spool Support	RD17783	Bail Assembly
RD13829	Ball Bearing	RD17671	Bearing Spacer	RD17784	Bail Hold Support Guard
RD14813	Drive Gear	RD17672	Line Roller	RD17785	Pinion Gear
RD14861	Key Washer	RD17673	Bearing Spacer	RD17787	Screw
RD15368	Idle Gear	RD17674	Line Roller Plate	RD17789	Handle Shaft Cover
RD15875	Handle Shaft Cover B	RD17680	Washer	RD17790	Handle Shank Assembly
RD15882	Idle Gear B (Small)	RD17681	Line Roller Support	RD17791	Handle Assembly
RD16122	Spool Bushing	RD17682	Bail Spring Guide A	RD17792	Oscillating Pawl
RD16795	Oscillating Slider Bushing	RD17684	Bail Spring Seat	RD17793	Main Shaft Assembly
RD16954	O Ring	RD17685	Bail Spring Guide A Bush	RD17794	Idle Gear B Large
RD17177	Screw	RD17688	O Ring	RD17795	Rear Protector
RD17187	Bearing Bushing	RD17690	Friction Ring	RD17796	Body
RD17190	Bearing Water Proof	RD17691	Bail Trip Strike	RD17835	Screw
RD17197	Screw	RD17694	Screw	RD17839	Counterweight Cover Assembly
RD17205	Rotor Ring	RD17695	Handle Shaft Seal	RD17844	Side Cover
RD17206	Roller Clutch Reinforce	RD17698	Handle Knob Bushing	RD17885	Washer
RD17207	Roller Clutch Water Proof	RD17700	Screw	RD18199	Washer
RD17209	Idle Gear B Shaft	RD17701	Handle Knob Seal	RD18785	Handle Knob Assembly
RD17210	Flange Water Proof	RD17704	Screw	RD21398	Washer
RD17220	Screw	RD17707	Worm Bushing		
RD17222	Worm Shaft Retainer	RD17708	O Ring		