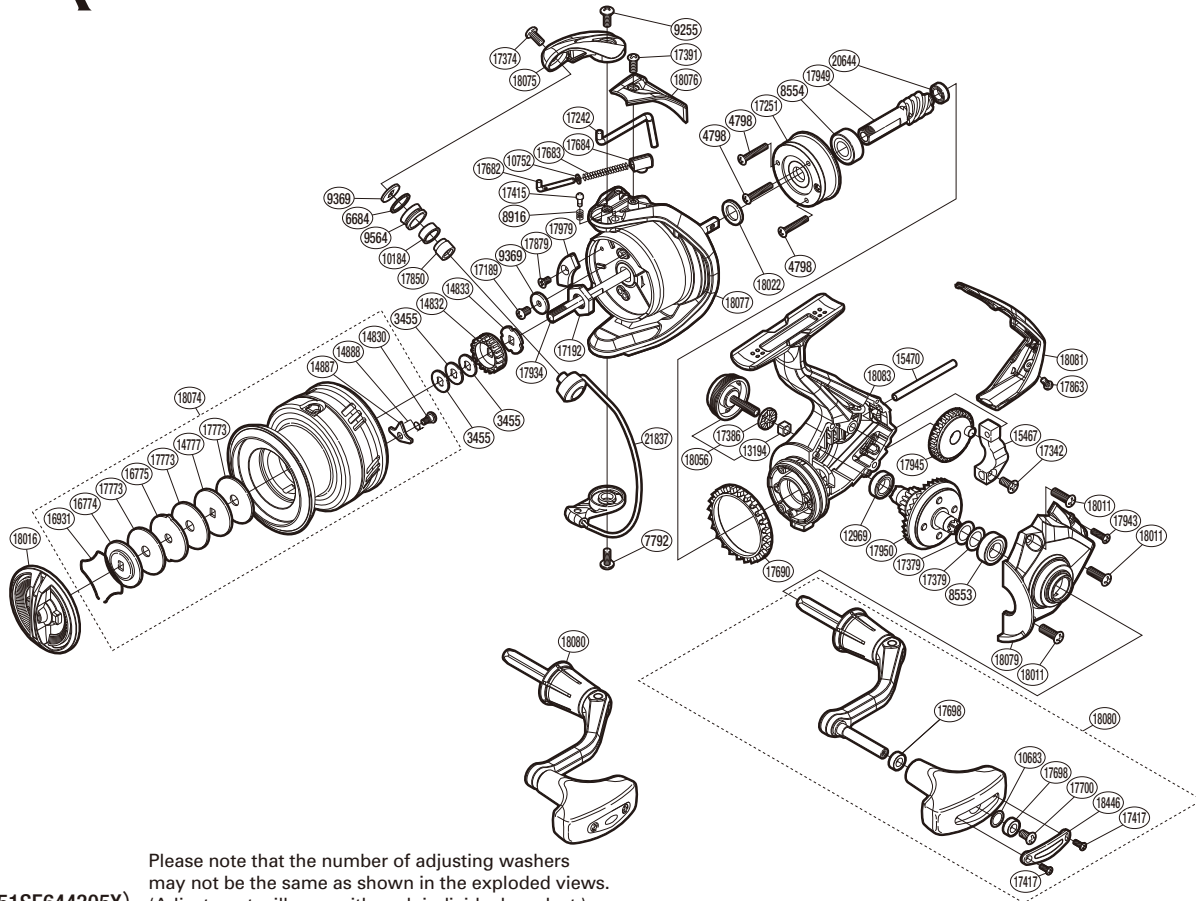


SHIMANO

SAHARA

SH-4000XGFI



Please note that the number of adjusting washers may not be the same as shown in the exploded views.
(51SE644305X) (Adjustment will vary with each individual product.)

Part No.	Description	Part No.	Description	Part No.	Description
RD 3455	Spool Washer	RD16774	Key Washer	RD17879	Screw
RD 4798	Screw	RD16775	Eared Washer	RD17934	Main Shaft
RD 6684	Line Roller Spacer	RD16931	Drag Washers Retainer	RD17943	Screw
RD 7792	Screw	RD17189	Screw	RD17945	Oscillating Gear
RD 8553	Ball Bearing	RD17192	Rotor Nut	RD17949	Pinion Gear
RD 8554	Ball Bearing	RD17242	Bail Trip Lever	RD17950	Drive Gear
RD 8916	Click Spring	RD17251	Roller Clutch Assembly	RD17979	Counter Weight A
RD 9255	Screw	RD17342	Screw	RD18011	Screw
RD 9369	Washer	RD17374	Screw	RD18016	Drag Knob
RD 9564	Line Roller	RD17379	Washer	RD18022	Washer
RD10184	Line Roller Bushing	RD17386	Handle Screw Cap Spacer	RD18056	Handle Screw Cap
RD10683	Washer	RD17391	Screw	RD18074	Spool Assembly
RD10752	Bail Spring Guide A Support	RD17415	Click Pin	RD18075	Bail Arm
RD12969	Ball Bearing	RD17417	Screw	RD18076	Bail Spring Cover
RD13194	Handle Screw Lock	RD17682	Bail Spring Guide A	RD18077	Rotor
RD14777	Key Washer	RD17683	Bail Spring	RD18079	Side Cover
RD14830	Screw	RD17684	Bail Spring Seat	RD18080	Handle Assembly
RD14832	Spool Support A	RD17690	Friction Ring	RD18081	Rear Protector
RD14833	Spool Support B	RD17698	Handle Knob Bushing	RD18083	Body
RD14887	Drag Click	RD17700	Screw	RD18446	Handle Knob I.D. Plate
RD14888	Click Spring	RD17773	Drag Washer	RD20644	Ball Bearing
RD15467	Oscillating Slider	RD17850	Line Roller Collar	RD21837	Bail Assembly
RD15470	Oscillating Guide	RD17863	Screw		