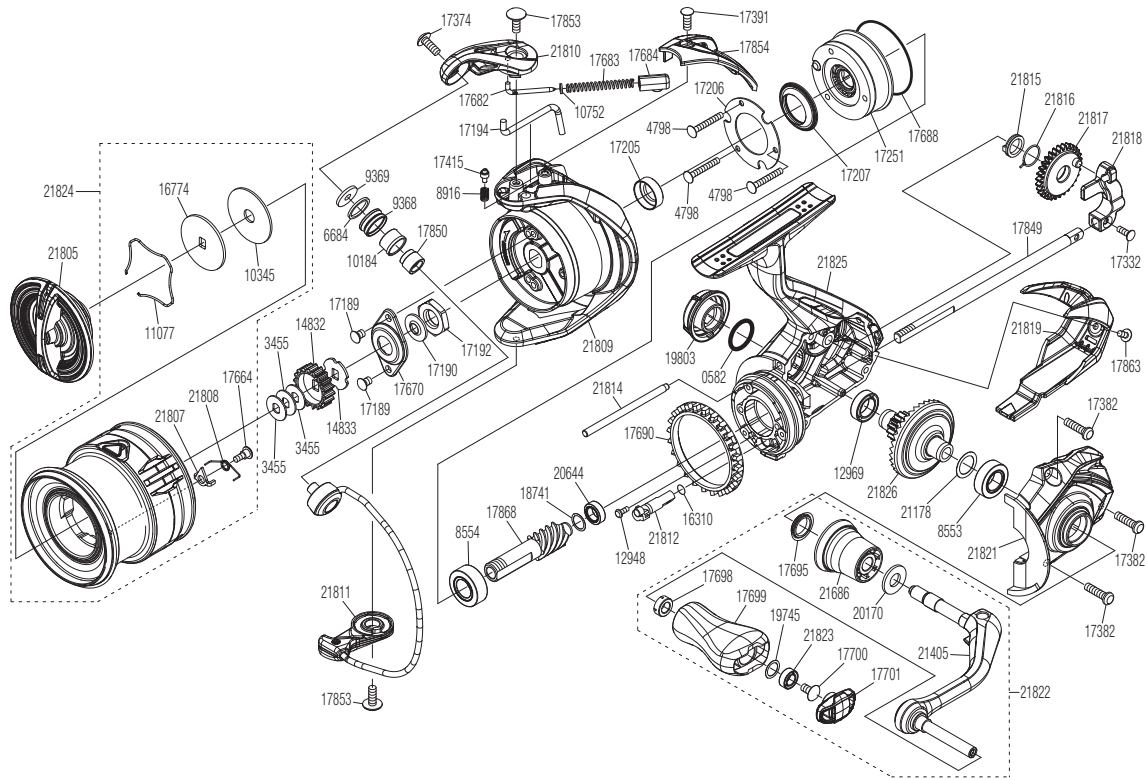


SHIMANO

NASCI

NS-2500SHG



Please note that the number of adjusting washers may not always be the same as shown in the exploded views.

(51SF45E027X)

Please note that your actions take full responsibility when you take it apart.

Part No.	Description	Part No.	Description	Part No.	Description
RD 0582	O Ring	RD17382	Screw	RD21805	Drag Knob Assembly
RD 3455	Spool Washer	RD17391	Screw	RD21807	Drag Click
RD 4798	Screw	RD17415	Click Pin	RD21808	Drag Click Spring
RD 6684	Spacer	RD17664	Screw	RD21809	Rotor
RD 8553	Ball Bearing	RD17670	Rotor Nut Lock Plate	RD21810	Bail Arm
RD 8554	Ball Bearing	RD17682	Bail Spring Guide A	RD21811	Bail Assembly
RD 8916	Click Spring	RD17683	Bail Spring	RD21812	Anti Reverse Cam
RD 9368	Line Roller	RD17684	Bail Spring Guide B	RD21814	Oscillating Guide
RD 9369	Washer	RD17688	O Ring	RD21815	Bushing
RD10184	Bushing	RD17690	Friction Ring	RD21816	Bushing Spring
RD10345	Drag Washer	RD17695	Handle Shaft Seal	RD21817	Oscillating Gear
RD10752	Bail Spring Guide A Collar	RD17698	Bushing	RD21818	Oscillating Slider
RD11077	Retainer	RD17699	Handle Knob	RD21819	Rear Protector
RD12948	Screw	RD17700	Screw	RD21821	Side Cover
RD12969	Ball Bearing	RD17701	Handle Knob Seal	RD21822	Handle Assembly
RD14832	Spool Support A	RD17849	Main Shaft	RD21823	Ball Bearing
RD14833	Spool Support B	RD17850	Collar	RD21824	Spool Assembly
RD16310	O Ring	RD17853	Screw	RD21825	Body Assembly
RD16774	Key Washer	RD17854	Bail Spring Cover	RD21826	Drive Gear
RD17189	Screw	RD17863	Screw		
RD17190	Bearing Water Proof	RD17868	Pinion Gear		
RD17192	Rotor Nut	RD18741	Washer		
RD17194	Bail Trip Lever	RD19745	Washer		
RD17205	Rotor Ring	RD19803	Handle Screw Cap		
RD17206	Roller Clutch Reinforce	RD20170	Washer		
RD17207	Roller Clutch Water Proof	RD20644	Ball Bearing		
RD17251	Roller Clutch Assembly	RD21178	Washer		
RD17332	Screw	RD21405	Handle Shank Assembly		
RD17374	Screw	RD21686	Handle Shaft Cover Assembly		