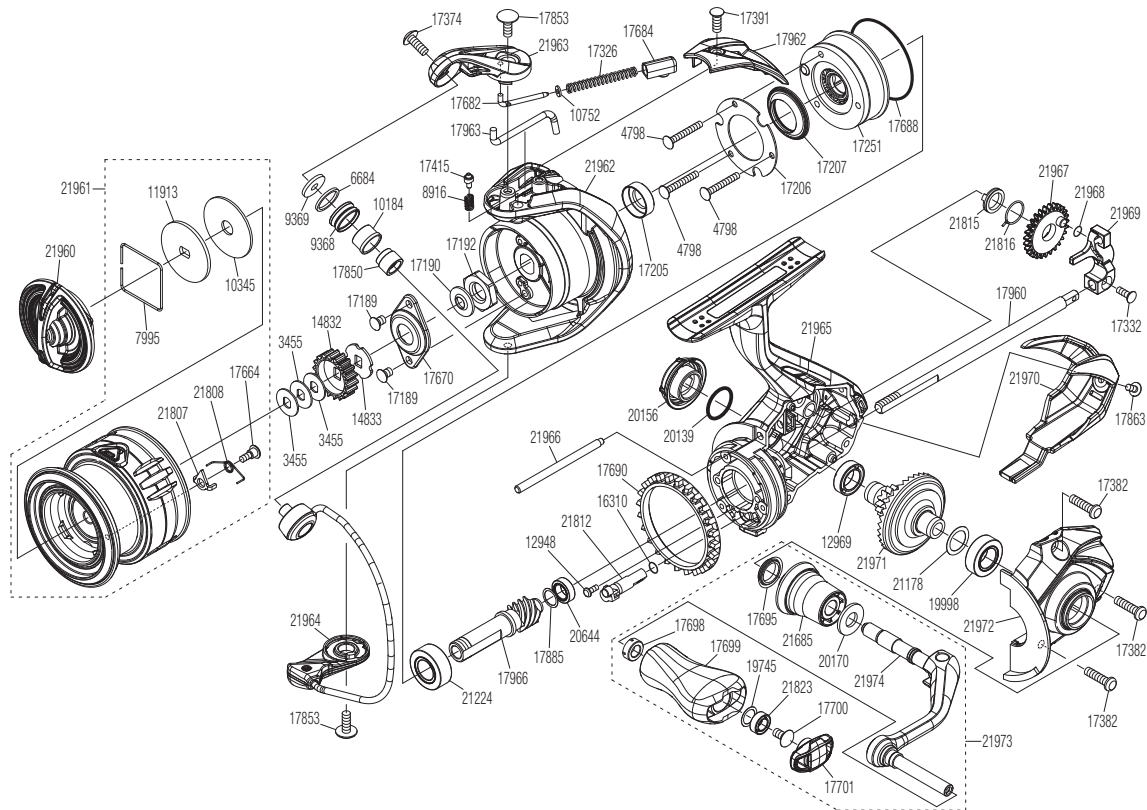


SHIMANO

NASCI

NS-1000



Please note that the number of adjusting washers may not always be the same as shown in the exploded views.

(51SF45B010X)

Please note that your actions take full responsibility when you take it apart.

Part No.	Description	Part No.	Description	Part No.	Description
RD 3455	Spool Washer	RD17670	Rotor Nut Lock Plate	RD21815	Bushing
RD 4798	Screw	RD17682	Bail Spring Guide A	RD21816	Bushing Spring
RD 6684	Spacer	RD17684	Bail Spring Guide B	RD21823	Ball Bearing
RD 7995	Retainer	RD17688	O Ring	RD21960	Drag Knob Assembly
RD 8916	Click Spring	RD17690	Friction Ring	RD21961	Spool Assembly
RD 9368	Line Roller	RD17695	Handle Shaft Seal	RD21962	Rotor
RD 9369	Washer	RD17698	Bushing	RD21963	Bail Arm
RD10184	Bushing	RD17699	Handle Knob	RD21964	Bail Assembly
RD10345	Drag Washer	RD17700	Screw	RD21965	Body Assembly
RD10752	Bail Spring Guide A Collar	RD17701	Handle Knob Seal	RD21966	Oscillating Guide
RD11913	Key Washer	RD17850	Collar	RD21967	Oscillating Gear
RD12948	Screw	RD17853	Screw	RD21968	O Ring
RD12969	Ball Bearing	RD17863	Screw	RD21969	Oscillating Slider
RD14832	Spool Support A	RD17885	Washer	RD21970	Rear Protector
RD14833	Spool Support B	RD17960	Main Shaft	RD21971	Drive Gear
RD16310	O Ring	RD17962	Bail Spring Cover	RD21972	Side Cover
RD17189	Screw	RD17963	Bail Trip Lever	RD21973	Handle Assembly
RD17190	Bearing Water Proof	RD17966	Pinion Gear	RD21974	Handle Shank Assembly
RD17192	Rotor Nut	RD19745	Washer		
RD17205	Rotor Ring	RD19998	Ball Bearing		
RD17206	Roller Clutch Reinforce	RD20139	O Ring		
RD17207	Roller Clutch Water Proof	RD20156	Handle Screw Cap		
RD17251	Roller Clutch Assembly	RD20170	Washer		
RD17326	Bail Spring	RD20644	Ball Bearing		
RD17332	Screw	RD21178	Washer		
RD17374	Screw	RD21224	Ball Bearing		
RD17382	Screw	RD21685	Handle Shaft Cover Assembly		
RD17391	Screw	RD21807	Drag Click		
RD17415	Click Pin	RD21808	Drag Click Spring		
RD17664	Screw	RD21812	Anti Reverse Cam		