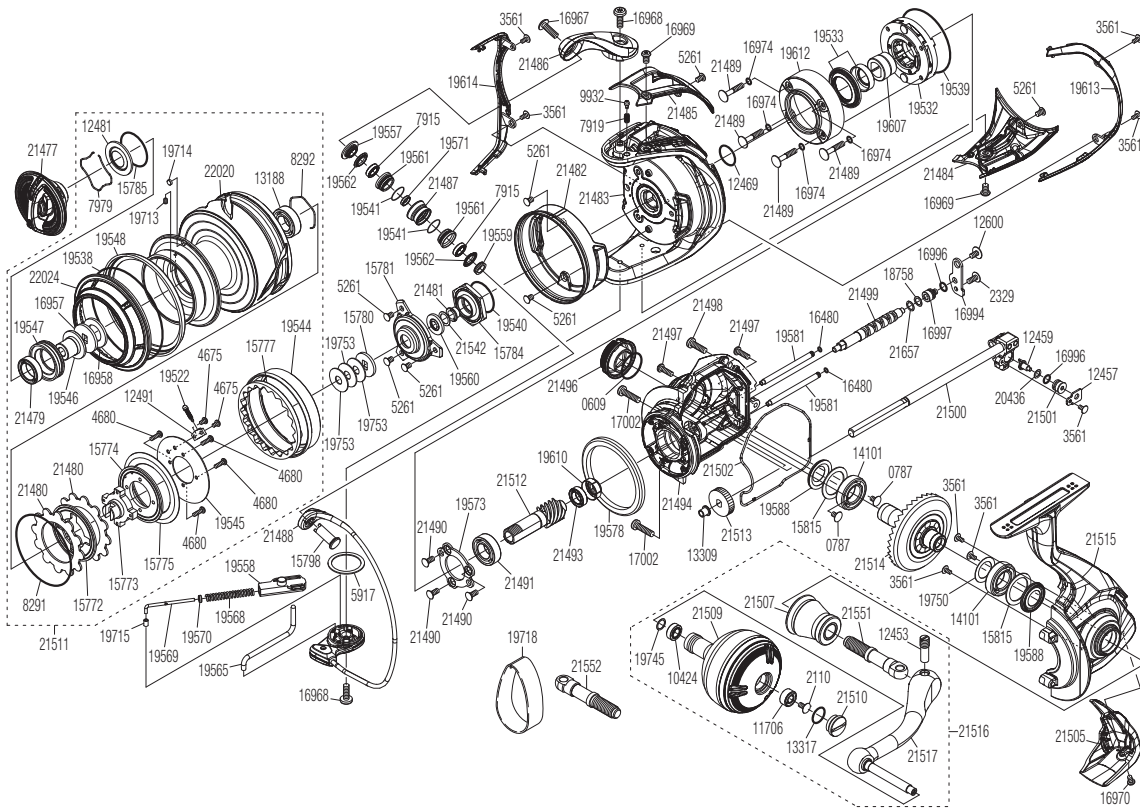


# SHIMANO

## TWIN POWER SA-RB

## TP-SW8000PG



Please note that the number of adjusting washers may not always be the same as shown in the exploded views.

(51SF41P081X)

Please note that your actions take full responsibility when you take it apart.

Part No.	Description	Part No.	Description	Part No.	Description
RD 0609	O Ring	RD16994	Worm Shaft Retainer	RD21481	Spacer
RD 0787	Screw	RD16996	O Ring	RD21482	Rotor Brim
RD 2110	Screw	RD16997	Bushing	RD21483	Rotor Assembly
RD 2329	Screw	RD17002	Screw	RD21484	Bail Hold Support Guard
RD 3561	Screw	RD18758	Washer	RD21485	Bail Spring Cover
RD 4675	Screw	RD19522	Drag Click Assembly	RD21486	Bail Arm
RD 4680	Screw	RD19532	Roller Clutch Assembly	RD21487	Line Roller
RD 5261	Screw	RD19533	Roller Clutch Waterproof Assembly	RD21488	Bail Assembly
RD 5917	Washer	RD19538	O Ring	RD21489	Screw
RD 7915	Ball Bearing	RD19539	O Ring	RD21490	Screw
RD 7919	Click Spring	RD19540	O Ring	RD21491	Ball Bearing
RD 7979	Retainer	RD19541	O Ring	RD21493	Ball Bearing
RD 8291	O Ring	RD19544	Drag Cover	RD21494	Body
RD 8292	Bearing Retainer	RD19545	Drag Plate Washer	RD21496	Handle Screw Cap
RD 9932	Click Pin	RD19546	Bearing Support	RD21497	Screw
RD10424	Ball Bearing	RD19547	Bearing Bushing	RD21498	Screw
RD11706	Ball Bearing	RD19548	Spool Ring	RD21499	Worm Shaft
RD12453	Screw	RD19557	Line Roller Plate	RD21500	Main Shaft Assembly
RD12457	Oscillating Pawl Cover	RD19558	Bail Spring Guide B	RD21501	Oscillating Slider Bushing
RD12459	Oscillating Pawl	RD19559	Collar	RD21502	Body Seal
RD12469	O Ring	RD19560	Bearing Water Proof	RD21505	Rear Protector
RD12481	Waterproof Sheet	RD19561	Bushing	RD21507	Handle Shaft Cover Assembly
RD12491	Spring Holder	RD19562	Line Roller Seal	RD21509	Handle Knob Assembly
RD12600	Screw	RD19565	Bail Trip Lever	RD21510	Handle Knob Seal
RD13188	Ball Bearing	RD19568	Bail Spring	RD21511	Spool Assembly
RD13309	Bushing	RD19569	Bail Spring Guide A	RD21512	Pinion Gear
RD13317	O Ring	RD19570	Spring Guide A Support Collar	RD21513	Idle Gear
RD14101	Ball Bearing	RD19571	Collar	RD21514	Drive Gear Assembly
RD15772	Drag Disk A	RD19573	Bearing Retainer	RD21515	Side Cover Assembly
RD15773	Bearing Bushing	RD19578	Friction Ring	RD21516	Handle Assembly
RD15774	Drag Disk B	RD19581	Oscillating Guide	RD21517	Handle Shank Assembly
RD15775	Spool Bearing Water Proof	RD19588	Bearing Water Proof	RD21542	Washer
RD15777	Drag Click Ratchet	RD19607	Roller Clutch Inner	RD21551	Handle Shaft
RD15780	Spool Support	RD19610	Bushing	RD21657	Washer
RD15781	Retainer	RD19612	Clutch Water Proof Cover	RD22020	Spool Shell
RD15784	Rotor Nut	RD19613	Rotor Guard A	RD22024	Collar
RD15785	O Ring	RD19614	Rotor Guard B		
RD15798	Line Roller Support	RD19713	Set Screw		
RD15815	Washer	RD19714	Spool Ring Pin		
RD16480	O Ring	RD19715	Bail Spring Guide A Bush		
RD16957	Key Washer	RD19745	Washer		
RD16958	Drag Washer A	RD19750	Washer		
RD16967	Screw	RD19753	Spool Washer		
RD16968	Screw	RD20436	Washer		
RD16969	Screw	RD21477	Drag Knob Assembly		
RD16970	Screw	RD21479	Ball Bearing	RD19718	Belt (M) (accessory)
RD16974	O Ring	RD21480	Drag Washer B	RD21552	Handle Shaft (Right) (accessory)