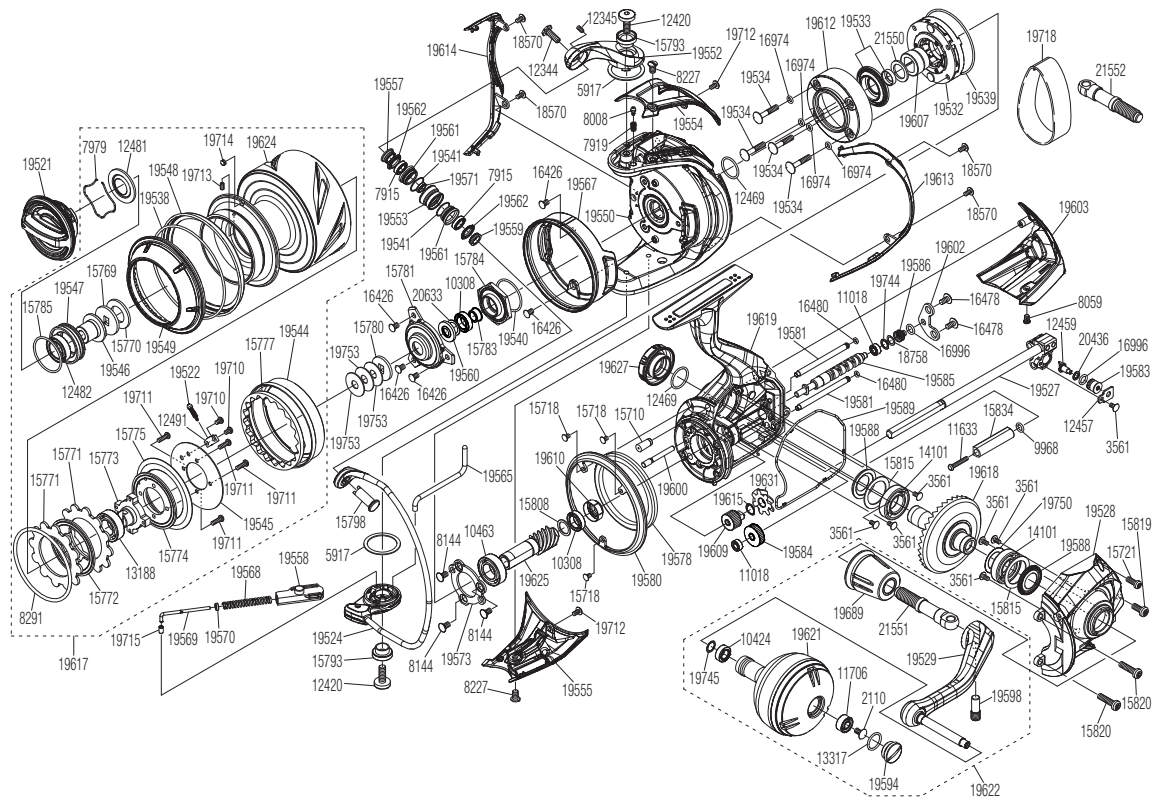


SHIMANO

STELLA **S**A-RB

STL-SW8000PG



Please note that the number of adjusting washers may not always be the same as shown in the exploded views.

(51SF24P084X)

Please note that your actions take full responsibility when you take it apart.

Part No.	Description	Part No.	Description	Part No.	Description
RD 2110	Screw	RD15834	Collar	RD19588	Bearing Water Proof
RD 3561	Screw	RD16426	Screw	RD19589	Body Seal
RD 5917	Washer	RD16478	Screw	RD19594	Handle Knob Seal
RD 7915	Ball Bearing	RD16480	O Ring	RD19598	Screw
RD 7919	Click Spring	RD16974	O Ring	RD19600	Idle Gear Shaft
RD 7929	Retainer	RD16996	O Ring	RD19602	Worm Shaft Retainer
RD 8008	Click Pin	RD18570	Screw	RD19603	Rear Protector
RD 8059	Screw	RD18758	Washer	RD19607	Roller Clutch Inner
RD 8144	Screw	RD19521	Drag Knob Assembly	RD19609	Idle Gear (Small)
RD 8227	Screw	RD19522	Drag Click Assembly	RD19610	Bushing
RD 8291	O Ring	RD19524	Bail Assembly	RD19612	Clutch Water Proof Cover
RD 9968	O Ring	RD19527	Main Shaft Assembly	RD19613	Rotor Guard A
RD10308	Ball Bearing	RD19528	Side Cover Assembly	RD19614	Rotor Guard B
RD10424	Ball Bearing	RD19529	Handle Shank Assembly	RD19615	Washer
RD10463	Ball Bearing	RD19532	Roller Clutch Assembly	RD19617	Spool Assembly
RD11018	Ball Bearing	RD19533	Roller Clutch Waterproof Assembly	RD19618	Drive Gear Assembly
RD11633	Screw	RD19534	Screw	RD19619	Body Assembly
RD11706	Ball Bearing	RD19538	O Ring	RD19621	Handle Knob Assembly
RD12344	Screw	RD19539	O Ring	RD19622	Handle Assembly
RD12345	Set Screw	RD19540	O Ring	RD19624	Spool Shell
RD12420	Screw	RD19541	O Ring	RD19625	Pinion Gear
RD12457	Oscillating Pawl Cover	RD19544	Drag Cover	RD19627	Handle Screw Cap
RD12459	Oscillating Pawl	RD19545	Drag Plate Washer	RD19631	Idle Gear (Large)
RD12469	O Ring	RD19546	Bearing Support	RD19689	Handle Shaft Cover Assembly
RD12481	Waterproof Sheet	RD19547	Bearing Bushing	RD19710	Screw
RD12482	Ball Bearing	RD19548	Spool Ring	RD19711	Screw
RD12491	Spring Holder	RD19549	Collar	RD19712	Screw
RD13188	Ball Bearing	RD19550	Rotor	RD19713	Set Screw
RD13317	O Ring	RD19552	Bail Arm	RD19714	Spool Ring Pin
RD14101	Ball Bearing	RD19553	Line Roller	RD19715	Bail Spring Guide A Bush
RD15710	Body Flange Seal	RD19554	Bail Spring Cover	RD19744	Washer
RD15718	Screw	RD19555	Bail Hold Support Guard	RD19745	Washer
RD15721	Screw	RD19557	Line Roller Plate	RD19750	Washer
RD15769	Key Washer	RD19558	Bail Spring Guide B	RD19753	Spool Washer
RD15770	Drag Washer A	RD19559	Collar	RD20436	Washer
RD15771	Drag Washer B	RD19560	Bearing Water Proof	RD20633	Washer
RD15772	Drug Disk A	RD19561	Bushing	RD21550	Washer
RD15773	Bearing Bushing	RD19562	Line Roller Seal	RD21551	Handle Shaft
RD15774	Drug Disk B	RD19565	Bail Trip Lever		
RD15775	Spool Bearing Water Proof	RD19567	Rotor Brim		
RD15777	Drag Click Ratchet	RD19568	Bail Spring		
RD15780	Spool Support	RD19569	Bail Spring Guide A		
RD15781	Retainer	RD19570	Spring Guide A Support Collar		
RD15783	Spacer	RD19571	Collar		
RD15784	Rotor Nut	RD19573	Bearing Retainer		
RD15785	O Ring	RD19578	Friction Ring		
RD15793	Collar	RD19580	Body Flange Ring		
RD15798	Line Roller Support	RD19581	Oscillating Guide		
RD15808	Washer	RD19583	Oscillating Slider Bushing		
RD15815	Washer	RD19584	Idle Gear		
RD15819	Screw	RD19585	Worm Shaft	RD19718	Belt (M) (accessory)
RD15820	Screw	RD19586	Bushing	RD21552	Handle Shaft (Right) (accessory)