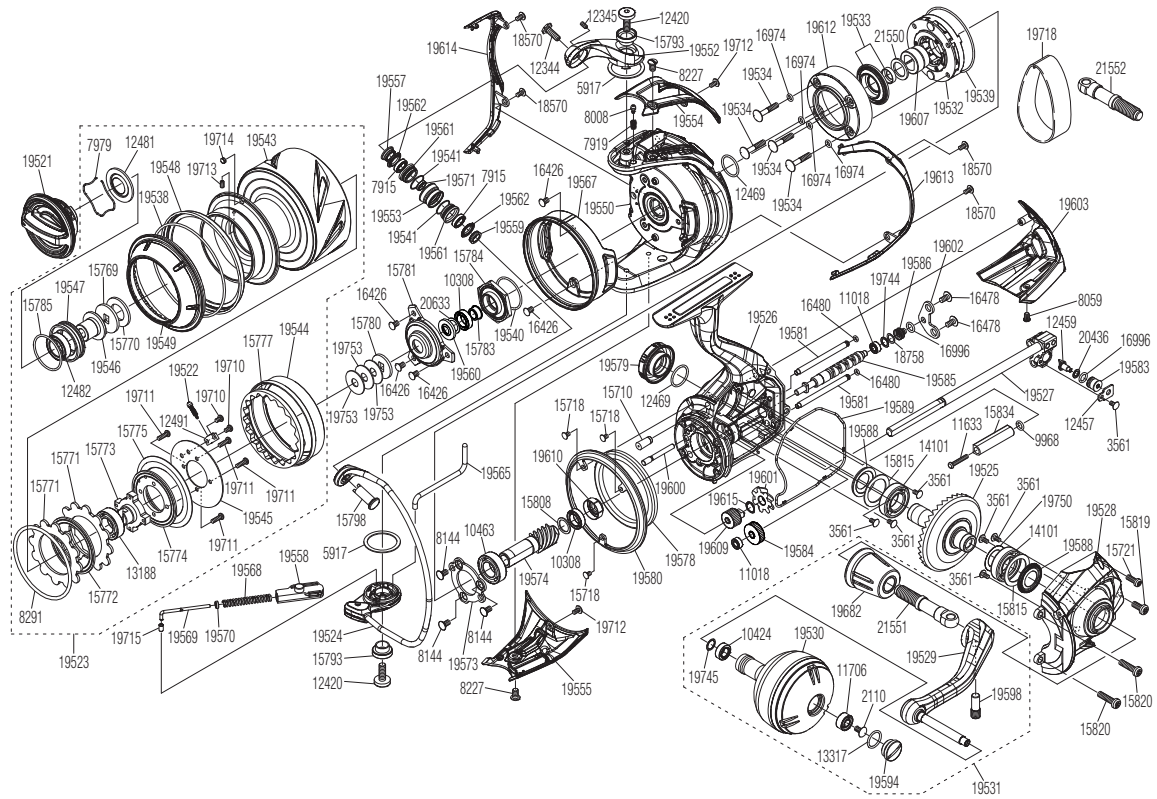


# SHIMANO

STELLA **S**A-RB

STL-SW8000HG



Please note that the number of adjusting washers may not always be the same as shown in the exploded views.

(51SF24P082X)

Please note that your actions take full responsibility when you take it apart.

Part No.	Description	Part No.	Description	Part No.	Description
RD 2110	Screw	RD15834	Collar	RD19578	Friction Ring
RD 3561	Screw	RD16426	Screw	RD19579	Handle Screw Cap
RD 5917	Washer	RD16478	Screw	RD19580	Body Flange Ring
RD 7915	Ball Bearing	RD16480	O Ring	RD19581	Oscillating Guide
RD 7919	Click Spring	RD16974	O Ring	RD19583	Oscillating Slider Bushing
RD 8008	Click Pin	RD18396	O Ring	RD19584	Idle Gear
RD 8059	Screw	RD18570	Screw	RD19585	Worm Shaft
RD 8144	Screw	RD18758	Washer	RD19586	Bushing
RD 8227	Screw	RD19521	Drag Knob Assembly	RD19588	Bearing Water Proof
RD 8291	O Ring	RD19522	Drag Click Assembly	RD19589	Body Seal
RD 9968	O Ring	RD19523	Spool Assembly	RD19594	Handle Knob Seal
RD10308	Ball Bearing	RD19524	Bail Assembly	RD19598	Screw
RD10424	Ball Bearing	RD19525	Drive Gear Assembly	RD19600	Idle Gear Shaft
RD10463	Ball Bearing	RD19526	Body Assembly	RD19601	Idle Gear (Large)
RD11018	Ball Bearing	RD19527	Main Shaft Assembly	RD19602	Worm Shaft Retainer
RD11633	Screw	RD19528	Side Cover Assembly	RD19603	Rear Protector
RD11706	Ball Bearing	RD19529	Handle Shank Assembly	RD19607	Roller Clutch Inner
RD12344	Screw	RD19530	Handle Knob Assembly	RD19609	Idle Gear (Small)
RD12345	Set Screw	RD19531	Handle Assembly	RD19610	Bushing
RD12420	Screw	RD19532	Roller Clutch Assembly	RD19612	Clutch Water Proof Cover
RD12457	Oscillating Pawl Cover	RD19533	Roller Clutch Waterproof Assembly	RD19613	Rotor Guard A
RD12459	Oscillating Pawl	RD19534	Screw	RD19614	Rotor Guard B
RD12469	O Ring	RD19538	O Ring	RD19615	Washer
RD12481	Waterproof Sheet	RD19539	O Ring	RD19682	Handle Shaft Cover Assembly
RD12482	Ball Bearing	RD19540	O Ring	RD19710	Screw
RD12491	Spring Holder	RD19541	O Ring	RD19711	Screw
RD13188	Ball Bearing	RD19543	Spool Shell	RD19712	Screw
RD13317	O Ring	RD19544	Drag Cover	RD19713	Set Screw
RD14101	Ball Bearing	RD19545	Drag Plate Washer	RD19714	Spool Ring Pin
RD15710	Body Flange Seal	RD19546	Bearing Support	RD19715	Bail Spring Guide A Bush
RD15718	Screw	RD19547	Bearing Bushing	RD19744	Washer
RD15721	Screw	RD19548	Spool Ring	RD19745	Washer
RD15769	Key Washer	RD19549	Collar	RD19750	Washer
RD15770	Drag Washer A	RD19550	Rotor	RD19753	Spool Washer
RD15771	Drag Washer B	RD19552	Bail Arm	RD20436	Washer
RD15772	Drug Disk A	RD19553	Line Roller	RD20633	Washer
RD15773	Bearing Bushing	RD19554	Bail Spring Cover	RD21550	Washer
RD15774	Drug Disk B	RD19555	Bail Hold Support Guard	RD21551	Handle Shaft
RD15775	Spool Bearing Water Proof	RD19557	Line Roller Plate		
RD15777	Drag Click Ratchet	RD19558	Bail Spring Guide B		
RD15780	Spool Support	RD19559	Collar		
RD15781	Retainer	RD19560	Bearing Water Proof		
RD15783	Spacer	RD19561	Bushing		
RD15784	Rotor Nut	RD19562	Line Roller Seal		
RD15785	O Ring	RD19565	Bail Trip Lever		
RD15793	Collar	RD19567	Rotor Brim		
RD15798	Line Roller Support	RD19568	Bail Spring		
RD15808	Washer	RD19569	Bail Spring Guide A		
RD15815	Washer	RD19570	Spring Guide A Support Collar		
RD15819	Screw	RD19571	Collar		
RD15820	Screw	RD19573	Bearing Retainer	RD19718	Belt (M) (accessory)
		RD19574	Pinion Gear	RD21552	Handle Shaft (Right) (accessory)