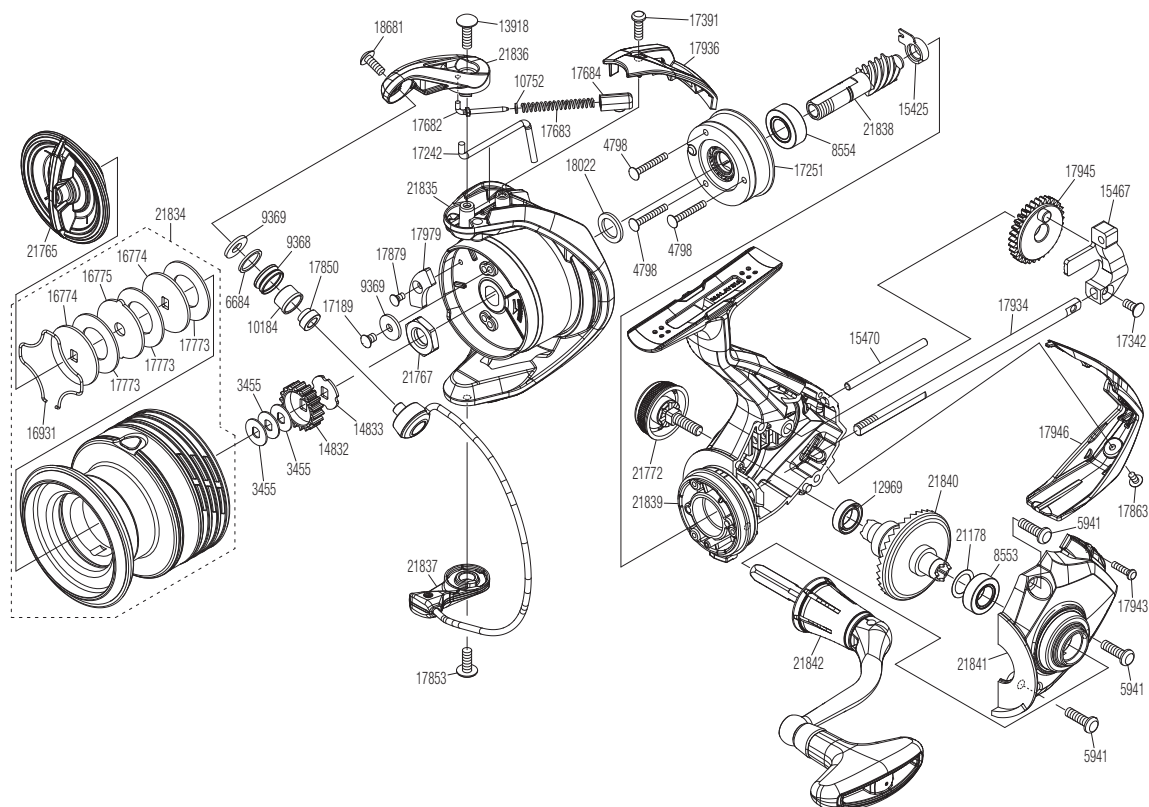


SHIMANO

NEXAVE

NEX-4000



Please note that the number of adjusting washers may not always be the same as shown in the exploded views.

(51SB49CH40X)

Please note that your actions take full responsibility when you take it apart.

| Part No. | Description | Part No. | Description | Part No. | Description |
|----------|----------------------------|----------|------------------------|----------|---------------------------|
| RD 3455 | Spool Washer | RD17242 | Bail Trip Lever | RD21765 | Drag Knob Assembly |
| RD 4798 | Screw | RD17251 | Roller Clutch Assembly | RD21767 | Rotor Nut |
| RD 5941 | Screw | RD17342 | Screw | RD21772 | Handle Screw Cap Assembly |
| RD 6684 | Spacer | RD17391 | Screw | RD21834 | Spool Assembly |
| RD 8553 | Ball Bearing | RD17682 | Bail Spring Guide A | RD21835 | Rotor |
| RD 8554 | Ball Bearing | RD17683 | Bail Spring | RD21836 | Bail Arm |
| RD 9368 | Line Roller | RD17684 | Bail Spring Guide B | RD21837 | Bail Assembly |
| RD 9369 | Washer | RD17773 | Drag Washer | RD21838 | Pinion Gear |
| RD10184 | Bushing | RD17850 | Collar | RD21839 | Body |
| RD10752 | Bail Spring Guide A Collar | RD17853 | Screw | RD21840 | Drive Gear |
| RD12969 | Ball Bearing | RD17863 | Screw | RD21841 | Side Cover |
| RD13918 | Screw | RD17879 | Screw | RD21842 | Handle Assembly |
| RD14832 | Spool Support A | RD17934 | Main Shaft | | |
| RD14833 | Spool Support B | RD17936 | Bail Spring Cover | | |
| RD15425 | Bushing | RD17943 | Screw | | |
| RD15467 | Oscillating Slider | RD17945 | Oscillating Gear | | |
| RD15470 | Oscillating Guide | RD17946 | Rear Protector | | |
| RD16774 | Key Washer | RD17979 | Counter Weight | | |
| RD16775 | Eared Washer | RD18022 | Washer | | |
| RD16931 | Retainer | RD18681 | Screw | | |
| RD17189 | Screw | RD21178 | Washer | | |