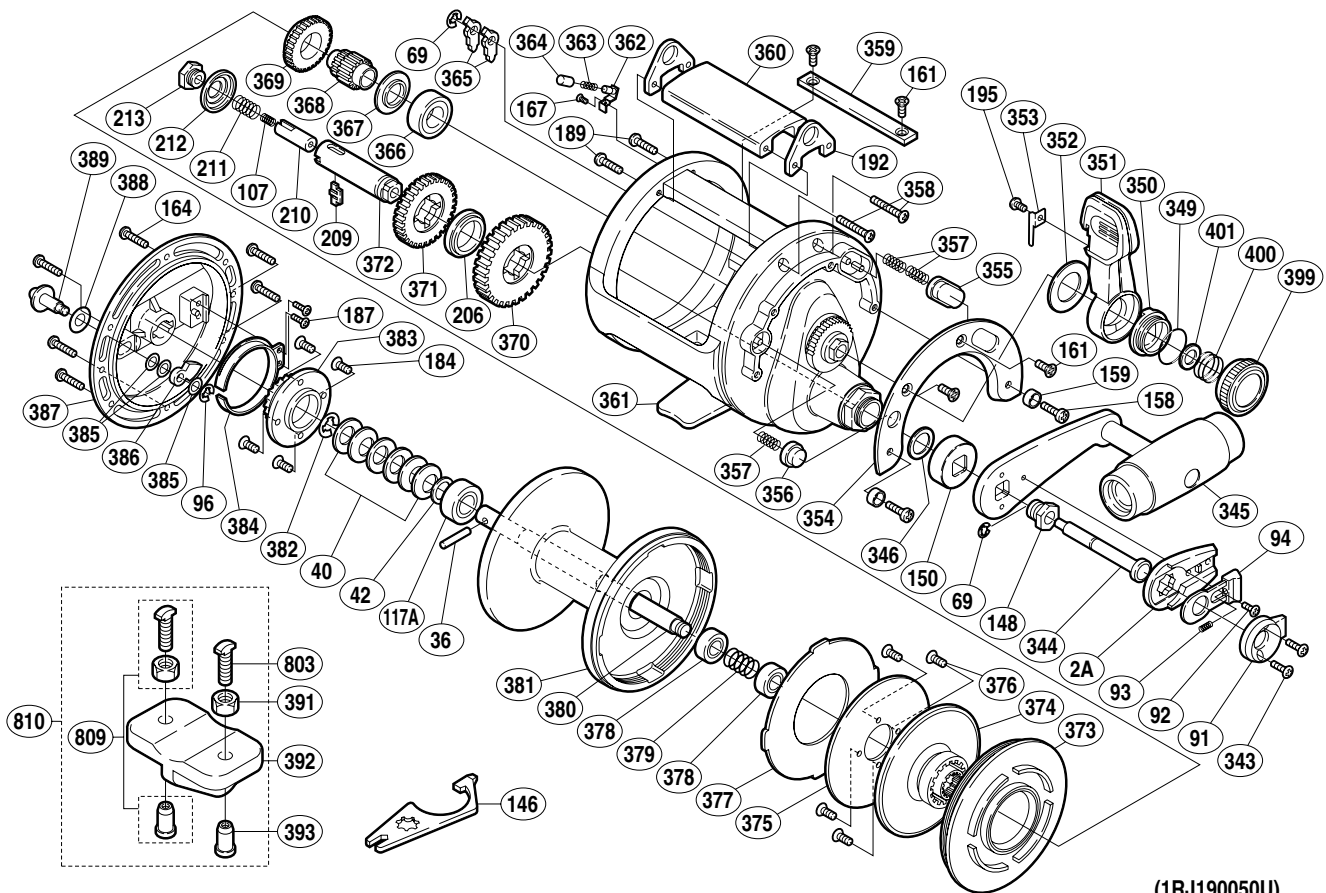


# SHIMANO

## TLD-2SPEED

## TLD2S-50



(1RJ190050U)

Part No.	Description	Part No.	Description	Part No.	Description
TT 0002A	Handle Bolt Plate	TT 0213	Drive Shaft Screw	TT 0373	Cooling Shield
TT 0036	Cross Pin	TT 0343	Push Button Shield Screw	TT 0374	Drag Set Plate
TT 0040	Pre Load Spring	TT 0344	Push "Low" Button Shaft	TT 0375	Drag Plate
TT 0042	Bearing Thrust Washer	TT 0345	Handle Assembly	TT 0376	Drag Plate Screw
TT 0069	"E" Lock	TT 0346	Friction Washer	TT 0377	Drag Washer
TT 0091	Push Button Shield	TT 0349	Body "O" Seal	TT 0378	Ball Bearing
TT 0092	Handle Bolt Plate Screw	TT 0350	Lever Shaft Body	TT 0379	Pressure Release Spring
TT 0093	Slide Plate Spring	TT 0351	Drag Control Lever	TT 0380	Main Shaft
TT 0094	Slide Plate	TT 0352	Lever Thrust Washer	TT 0381	Spool
TT 0096	"E" Lock	TT 0353	Lever Click Spring	TT 0382	"E" Lock
TT 0107	Drive Shaft Spring "B"	TT 0354	Lever Quadrant	TT 0383	Click Gear
TT 0117A	Ball Bearing	TT 0355	Strike Stop	TT 0384	Click Spring
TT 0148	Handle Bolt	TT 0356	Free Spool Detent	TT 0385	Click Pawl Washer
TT 0150	Drive Shaft Shield	TT 0357	Pressure Spring	TT 0386	Click Pawl
TT 0158	Quadrant Anchor Bolt	TT 0358	Cross Bar Bolt (B)	TT 0387	Left Side Plate
TT 0159	Bolt Shield	TT 0359	Line Guard	TT 0388	Click Button Washer
TT 0161	Quadrant / Line Guard Screw	TT 0360	Cross Bar	TT 0389	Click Button
TT 0164	Left Side Plate Screw	TT 0361	One-Piece Frame	TT 0399	Pre-Program Dial
TT 0167	Guard Screw	TT 0362	Guard Against Dog	TT 0400	Dial Spring
TT 0184	Click Gear Screw	TT 0363	Dog Spring	TT 0401	Lever Shaft Body Washer
TT 0187	Click Spring Screw	TT 0364	Dog Spring Guide		
TT 0189	Cross Bar Bolt (A)	TT 0365	Dog	TT 0391	Rod Clamp Nut (B)
TT 0192	Harness Lug	TT 0366	Ball Bearing	TT 0392	Rod Clamp
TT 0195	Click Spring Screw	TT 0367	Pre Load Washer	TT 0393	Rod Clamp Nut (A)
TT 0206	Friction Washer (C)	TT 0368	Pinion Gear (A)	TT 0803	Rod Clamp Bolt
TT 0209	Gear Select Cross Bar	TT 0369	Pinion Gear (B)	TT 0809	Rod Clamp Bolt / Nuts
TT 0210	Cross Bar Stop	TT 0370	Drive Gear (A)	TT 0810	Rod Clamp Assembly
TT 0211	Drive Shaft Spring	TT 0371	Drive Gear (B)		
TT 0212	Friction Washer (A)	TT 0372	Drive Shaft	TT 0146	Wrench

(200514)