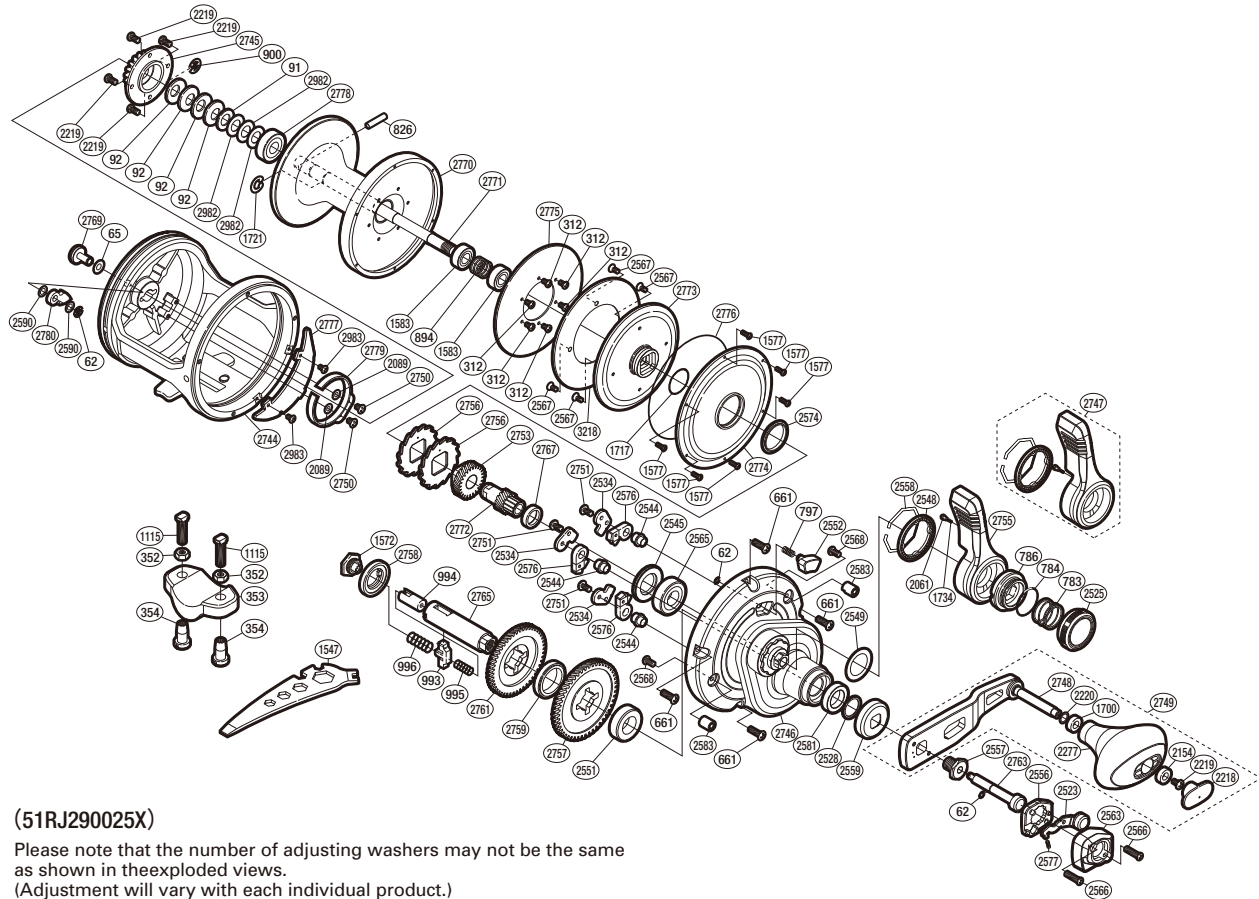


# SHIMANO

## SpeedMaster

## SPM25II



(51RJ290025X)

Please note that the number of adjusting washers may not be the same as shown in the exploded views.  
(Adjustment will vary with each individual product.)

Part No.	Description	Part No.	Description	Part No.	Description
TGT0062	E Lock	TGT2528	Washer	TGT2757	Drive Gear A
TGT0065	Washer	TGT2534	Anti-Reverse Pawl Keeper	TGT2758	Drive Gear Washer A
TGT0091	Washer	TGT2544	Anti-Reverse Pawl Pin	TGT2759	Drive Gear Washer C
TGT0092	Preload Spring	TGT2545	Bearing Waterproof Seal	TGT2761	Drive Gear B
TGT0312	Screw	TGT2548	Click Plate	TGT2763	Push Low Button Shaft
TGT0661	Screw	TGT2549	Lever Thrust Washer	TGT2765	Drive Shaft
TGT0783	Dial Spring	TGT2551	Drive Shaft Bushing	TGT2767	Pinion Gear Collar
TGT0784	Body O Seal	TGT2552	Strike Stop	TGT2769	Click Button
TGT0786	Lever Shaft Body	TGT2556	Handle Nut Plate	TGT2770	Spool
TGT0797	Pressure Spring	TGT2557	Handle Bolt	TGT2771	Spool Shaft
TGT0826	Cross Pin	TGT2558	Click Plate Retainer	TGT2772	Pinion Gear A
TGT0894	Pressure Release Spring	TGT2559	Drive Shaft Shield	TGT2773	Pinion Guard
TGT0900	E Lock	TGT2563	Push Button Shield	TGT2774	Cooling Shield
TGT0993	Gear Select Cross Bar	TGT2565	Ball Bearing	TGT2775	Drag Washer
TGT0994	Cross Bar Stop	TGT2566	Screw	TGT2776	O Ring
TGT0995	Drive Shaft Spring B	TGT2567	Screw	TGT2777	Set Plate Sticker
TGT0996	Drive Shaft Spring	TGT2568	Screw	TGT2778	Ball Bearing
TGT1572	Drive Shaft Screw	TGT2574	Waterproof Ring	TGT2779	Click Spring
TGT1577	Screw	TGT2576	Anti-Reverse Pawl	TGT2780	Click Pawl
TGT1583	Ball Bearing	TGT2577	Slide Plate Spring	TGT2982	Washer
TGT1700	Handle Knob Bushing	TGT2581	Drive Gear Bushing	TGT2983	Screw
TGT1717	Pinion Guard Support	TGT2583	Bolt Shield	TGT3218	Drag Plate
TGT1721	C Lock	TGT2590	Washer		
TGT1734	Click Spring	TGT2744	Frame Assembly	TGT2747	Drag Control Lever Mono Assembly
TGT2061	Lever Click	TGT2745	Click Gear Assy		
TGT2089	Washer	TGT2746	Right Side Plate Assembly	TGT0352	Rod Clamp Nut B (Accessory)
TGT2154	Handle Knob Bushing A	TGT2748	Handle Shank Assembly	TGT0353	Rod Clamp (Accessory)
TGT2218	Handle Knob Seal	TGT2749	Handle Assembly	TGT0354	Rod Clamp Nut A (Accessory)
TGT2219	Screw	TGT2750	Screw	TGT1115	Rod Clamp Bolt (Accessory)
TGT2220	Washer	TGT2751	Screw		
TGT2277	Handle Knob	TGT2753	Pinion Gear B		
TGT2523	Slide Plate	TGT2755	Drag Control Lever		
TGT2525	Pre-program Dial Assembly	TGT2756	Anti-Reverse Ratchet	TGT1547	Wrench