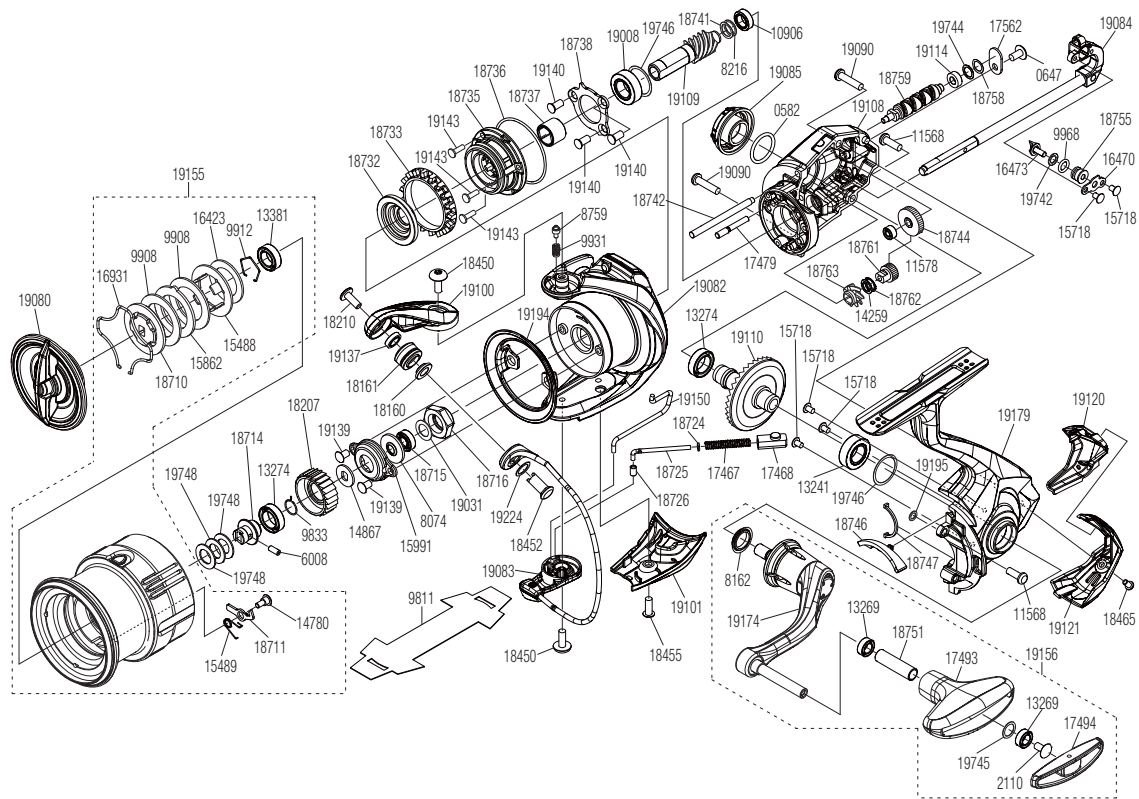


# SHIMANO

Vanquish SA-RB

VQ-C3000MHG



Please note that the number of adjusting washers may not be the same as shown in the exploded views. (Adjustment will vary with each individual product.)

RD 18735 Roller Clutch Assembly please send the equipment out to after-sales service for replacement of the roller clutch assembly.

(51SF28E032X)

Part No.	Description	Part No.	Description	Part No.	Description
RD 0582	O Ring	RD18160	Bearing Spacer	RD19083	Bail Assembly
RD 0647	Screw	RD18161	Line Roller Set	RD19084	Main Shaft Assembly
RD 2110	Screw	RD18207	Drag Click Ratchet	RD19085	Handle Screw Cap Assembly
RD 6008	Set Screw	RD18210	Screw	RD19090	Screw
RD 8074	Bearing Water Proof	RD18450	Screw	RD19100	Bail Arm
RD 8162	Handle Shaft Seal	RD18452	Line Roller Support	RD19101	Bail Hold Support Guard
RD 8216	Spacer	RD18455	Screw	RD19105	Bail Trip Lever
RD 8759	Click Pin	RD18465	Screw	RD19108	Body
RD 9833	Ratchet Spring	RD18710	Key Washer	RD19114	Bushing
RD 9908	Drag Washer	RD18711	Drag Click Screw	RD19120	Rear Shield
RD 9912	Bearing Retainer	RD18714	Spool Bearing Bushing	RD19121	Rear Protector
RD 9931	Click Spring	RD18715	Main Shaft Spacer Assembly	RD19137	Line Roller Support Collar
RD 9968	O Ring	RD18716	Rotor Nut	RD19139	Screw
RD10906	Ball Bearing	RD18724	Spring Guide A Support Collar	RD19140	Screw
RD11568	Screw	RD18725	Bail Spring Guide	RD19143	Screw
RD11578	Ball Bearing	RD18726	Bail Spring Guide A Bush	RD19149	Pinion Gear
RD13241	Ball Bearing	RD18732	Rotor Ring	RD19150	Drive Gear
RD13269	Ball Bearing	RD18733	Friction Ring	RD19155	Spool Assembly
RD13274	Ball Bearing	RD18735	Roller Clutch Assembly	RD19156	Handle Assembly
RD13381	Ball Bearing	RD18736	Roller Clutch Case Seal	RD19174	Handle Shank Assembly
RD14259	Washer	RD18737	Roller Clutch Inner	RD19179	Side Cover Assembly
RD14780	Screw	RD18738	Bearing Retainer	RD19194	Rotor Brim
RD14867	Spool Support	RD18741	Washer	RD19195	Washer
RD15488	Key Washer	RD18742	Oscillating Guide A	RD19224	Washer
RD15489	Drag Click Spring	RD18744	Idle Gear	RD19742	Washer
RD15718	Screw	RD18746	Bail Trip Strike	RD19744	Washer
RD15862	Eared Washer	RD18747	Flange Water Proof	RD19745	Washer
RD15991	Nut Lock Plate	RD18751	Handle Knob Shaft Pipe	RD19746	Washer
RD16423	Drag Washer	RD18755	Oscillating Slider Bushing	RD19748	Washer
RD16470	Oscillating Pawl Cover	RD18758	Washer		
RD16473	Oscillating Pawl	RD18759	Worm Shaft		
RD16931	Retainer	RD18761	Idle Gear (Small)		
RD17467	Bail Spring	RD18762	Washer		
RD17468	Bail Spring Guide B	RD18771	Idle Gear (Large)		
RD17479	Idle Gear Shaft	RD19008	O Ring		
RD17493	Handle Knob	RD19031	Washer		
RD17494	Handle Knob Seal	RD19080	Drag Knob Assembly		
RD17562	Worm Shaft Retainer	RD19082	Rotor Assembly	RD 9811	Reel Seat Spacer (accessory)