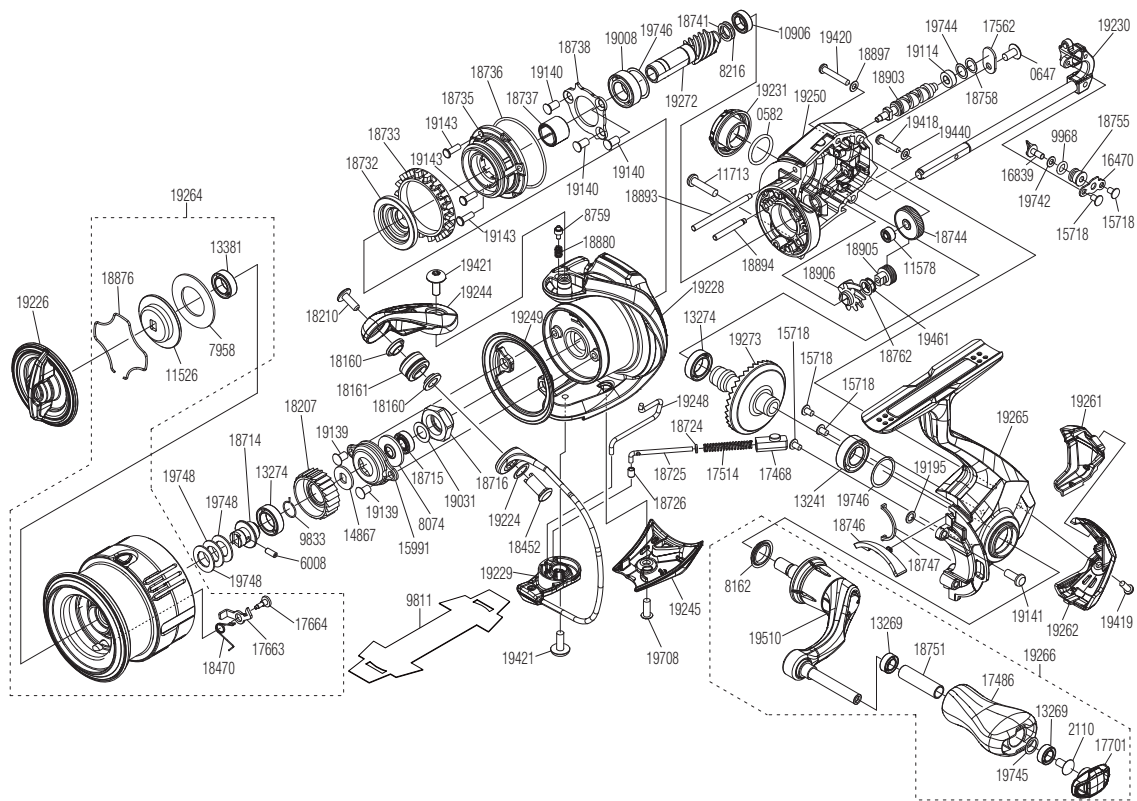


# SHIMANO

Vanquish SA-RB

VQ-C2000S



Please note that the number of adjusting washers may not be the same as shown in the exploded views. (Adjustment will vary with each individual product.)

RD 18735 Roller Clutch Assembly please send the equipment out to after-sales service for replacement of the roller clutch assembly.

(51SF28B020X)

| Part No. | Description            | Part No. | Description                   | Part No. | Description                  |
|----------|------------------------|----------|-------------------------------|----------|------------------------------|
| RD 0582  | O Ring                 | RD18715  | Main Shaft Spacer Assembly    | RD19229  | Bail Assembly                |
| RD 0647  | Screw                  | RD18716  | Rotor Nut                     | RD19230  | Main Shaft Assembly          |
| RD 2110  | Screw                  | RD18724  | Spring Guide A Support Collar | RD19231  | Handle Screw Cap Assembly    |
| RD 6008  | Set Screw              | RD18725  | Bail Spring Guide             | RD19244  | Bail Arm                     |
| RD 7958  | Drag Washer            | RD18726  | Bail Spring Guide A Bush      | RD19245  | Bail Hold Support Guard      |
| RD 8074  | Bearing Water Proof    | RD18732  | Rotor Ring                    | RD19248  | Bail Trip Lever              |
| RD 8162  | Handle Shaft Seal      | RD18733  | Friction Ring                 | RD19249  | Rotor Brim                   |
| RD 8216  | Spacer                 | RD18735  | Roller Clutch Assembly        | RD19250  | Body                         |
| RD 8759  | Click Pin              | RD18736  | Roller Clutch Case Seal       | RD19261  | Rear Shield                  |
| RD 9833  | Ratchet Spring         | RD18737  | Roller Clutch Inner           | RD19262  | Rear Protector               |
| RD 9968  | O Ring                 | RD18738  | Bearing Retainer              | RD19264  | Spool Assembly               |
| RD10906  | Ball Bearing           | RD18741  | Washer                        | RD19265  | Side Cover Assembly          |
| RD11526  | Key Washer             | RD18744  | Idle Gear                     | RD19266  | Handle Assembly              |
| RD11578  | Ball Bearing           | RD18746  | Bail Trip Strike              | RD19272  | Pinion Gear                  |
| RD11713  | Screw                  | RD18747  | Flange Water Proof            | RD19273  | Drive Gear                   |
| RD13241  | Ball Bearing           | RD18751  | Handle Knob Shaft Pipe        | RD19418  | Screw                        |
| RD13269  | Ball Bearing           | RD18755  | Oscillating Slider Bushing    | RD19419  | Screw                        |
| RD13274  | Ball Bearing           | RD18758  | Washer                        | RD19420  | Screw                        |
| RD13381  | Ball Bearing           | RD18762  | Washer                        | RD19421  | Screw                        |
| RD14867  | Spool Support A        | RD18876  | Retainer                      | RD19440  | Washer                       |
| RD15718  | Screw                  | RD18880  | Click Spring                  | RD19461  | Washer                       |
| RD15991  | Nut Lock Plate         | RD18893  | Oscillating Guide A           | RD19510  | Handle Shank Assembly        |
| RD16470  | Oscillating Pawl Cover | RD18894  | Idle Gear Shaft               | RD19708  | Screw                        |
| RD16839  | Oscillating Pawl       | RD18897  | Washer                        | RD19742  | Washer                       |
| RD17468  | Bail Spring Guide B    | RD18903  | Worm Shaft                    | RD19744  | Washer                       |
| RD17486  | Handle Knob            | RD18905  | Idle Gear (Small)             | RD19745  | Washer                       |
| RD17514  | Bail Spring            | RD18906  | Idle Gear (Large)             | RD19746  | Washer                       |
| RD17562  | Worm Shaft Retainer    | RD19008  | Ball Bearing                  | RD19748  | Washer                       |
| RD17663  | Drag Click Screw       | RD19031  | Washer                        |          |                              |
| RD17664  | Screw                  | RD19114  | Bushing                       |          |                              |
| RD17701  | Handle Knob Seal       | RD19139  | Screw                         |          |                              |
| RD18160  | Collar                 | RD19140  | Screw                         |          |                              |
| RD18161  | Line Roller Set        | RD19141  | Screw                         |          |                              |
| RD18207  | Drag Click Ratchet     | RD19143  | Screw                         |          |                              |
| RD18210  | Screw                  | RD19195  | Washer                        |          |                              |
| RD18452  | Line Roller Support    | RD19224  | Washer                        |          |                              |
| RD18470  | Drag Click Spring      | RD19226  | Drag Knob Assembly            |          |                              |
| RD18714  | Spool Bearing Bushing  | RD19228  | Rotor Assembly                | RD 9811  | Reel Seat Spacer (accessory) |