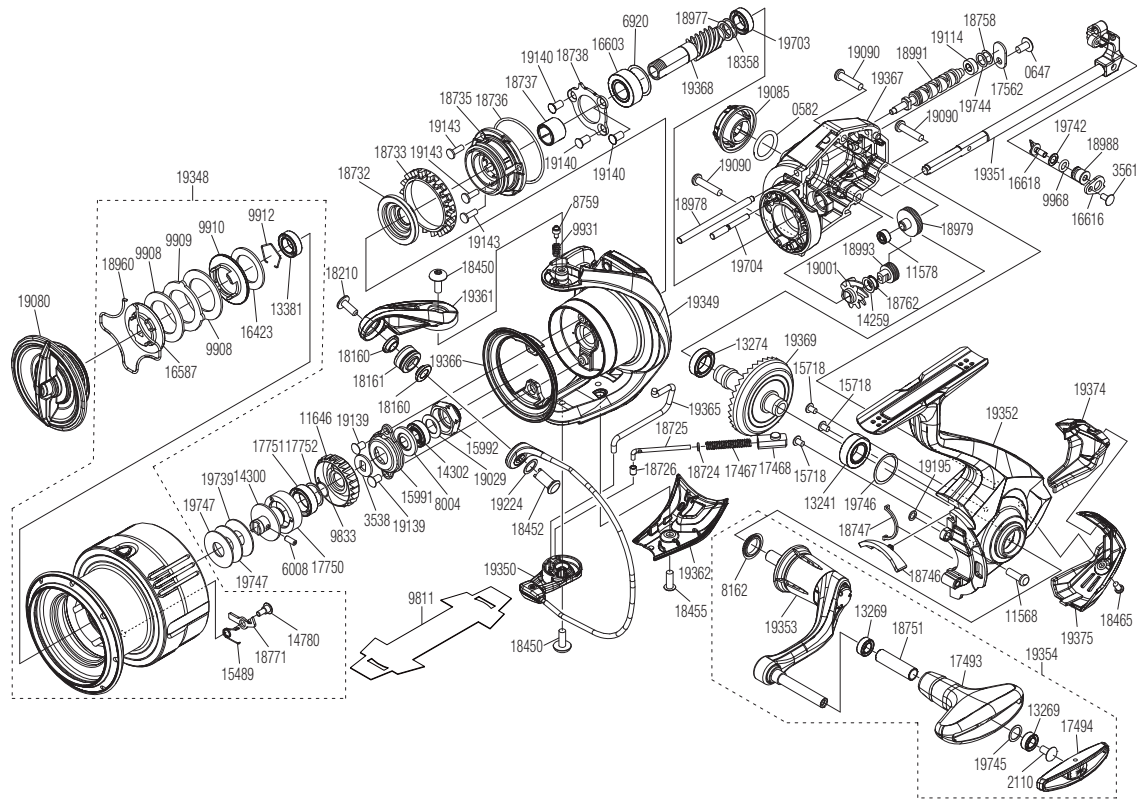


SHIMANO

Vanquish SA-RB

VQ-4000XG



Please note that the number of adjusting washers may not be the same as shown in the exploded views. (Adjustment will vary with each individual product.)

RD 18735 Roller Clutch Assembly please send the equipment out to after-sales service for replacement of the roller clutch assembly.

(51SF28H043X)

Part No.	Description	Part No.	Description	Part No.	Description
RD 0582	O Ring	RD17750	Bearing Housing	RD19195	Washer
RD 0647	Screw	RD17751	Ball Bearing	RD19224	Washer
RD 2110	Screw	RD17752	Washer	RD19348	Spool Assembly
RD 3538	Spool Support A	RD18160	Collar	RD19349	Rotor Assembly
RD 3561	Screw	RD18161	Line Roller Set	RD19350	Bail Assembly
RD 6008	Set Screw	RD18210	Screw	RD19351	Main Shaft Assembly
RD 6920	Washer	RD18358	Spacer	RD19352	Side Cover Assembly
RD 8004	Bearing Water Proof	RD18450	Screw	RD19353	Handle Shank Assembly
RD 8162	Handle Shaft Seal	RD18452	Line Roller Support	RD19354	Handle Assembly
RD 8759	Click Pin	RD18455	Screw	RD19361	Bail Arm
RD 9833	Ratchet Spring	RD18465	Screw	RD19362	Bail Hold Support Guard
RD 9908	Drag Washer	RD18711	Drag Click Screw	RD19365	Bail Trip Lever
RD 9909	Eared Washer	RD18724	Spring Guide A Support Collar	RD19366	Rotor Brim
RD 9910	Key Washer	RD18725	Bail Spring Guide	RD19367	Body
RD 9912	Bearing Retainer	RD18726	Bail Spring Guide A Bush	RD19368	Pinion Gear
RD 9931	Click Spring	RD18732	Rotor Ring	RD19369	Drive Gear
RD 9968	O Ring	RD18733	Friction Ring	RD19374	Rear Shield
RD11568	Screw	RD18735	Roller Clutch Assembly	RD19375	Rear Protector
RD11578	Ball Bearing	RD18736	Roller Clutch Case Seal	RD19703	Ball Bearing
RD11646	Drag Click Ratchet	RD18737	Roller Clutch Inner	RD19704	Idle Gear Shaft
RD13241	Ball Bearing	RD18738	Bearing Retainer	RD19739	Washer
RD13269	Ball Bearing	RD18746	Bail Trip Strike	RD19742	Washer
RD13274	Ball Bearing	RD18747	Flange Water Proof	RD19744	Washer
RD13381	Ball Bearing	RD18751	Handle Knob Shaft Pipe	RD19745	Washer
RD14259	Washer	RD18758	Washer	RD19746	Washer
RD14300	Spool Bearing Bushing	RD18762	Washer	RD19747	Washer
RD14302	Main Shaft Spacer Assembly	RD18966	Retainer		
RD14780	Screw	RD18977	Washer		
RD15489	Drag Click Spring	RD18978	Oscillating Guide		
RD15718	Screw	RD18979	Idle Gear		
RD15991	Retainer	RD18988	Oscillating Slider Bushing		
RD15992	Rotor Nut	RD18991	Worm Shaft		
RD16423	Drag Washer	RD18993	Idle Gear (Small)		
RD16587	Key Washer	RD19001	Idle Gear (Large)		
RD16603	Ball Bearing	RD19029	Washer		
RD16616	Cover	RD19080	Drag Knob Assembly		
RD16618	Oscillating Pawl	RD19085	Handle Screw Cap Assembly		
RD17467	Bail Spring	RD19090	Screw		
RD17468	Bail Spring Guide B	RD19114	Bushing		
RD17493	Handle Knob	RD19139	Screw		
RD17494	Handle Knob Seal	RD19140	Screw		
RD17562	Worm Shaft Retainer	RD19143	Screw		
				RD 9811	Reel Seat Spacer (accessory)