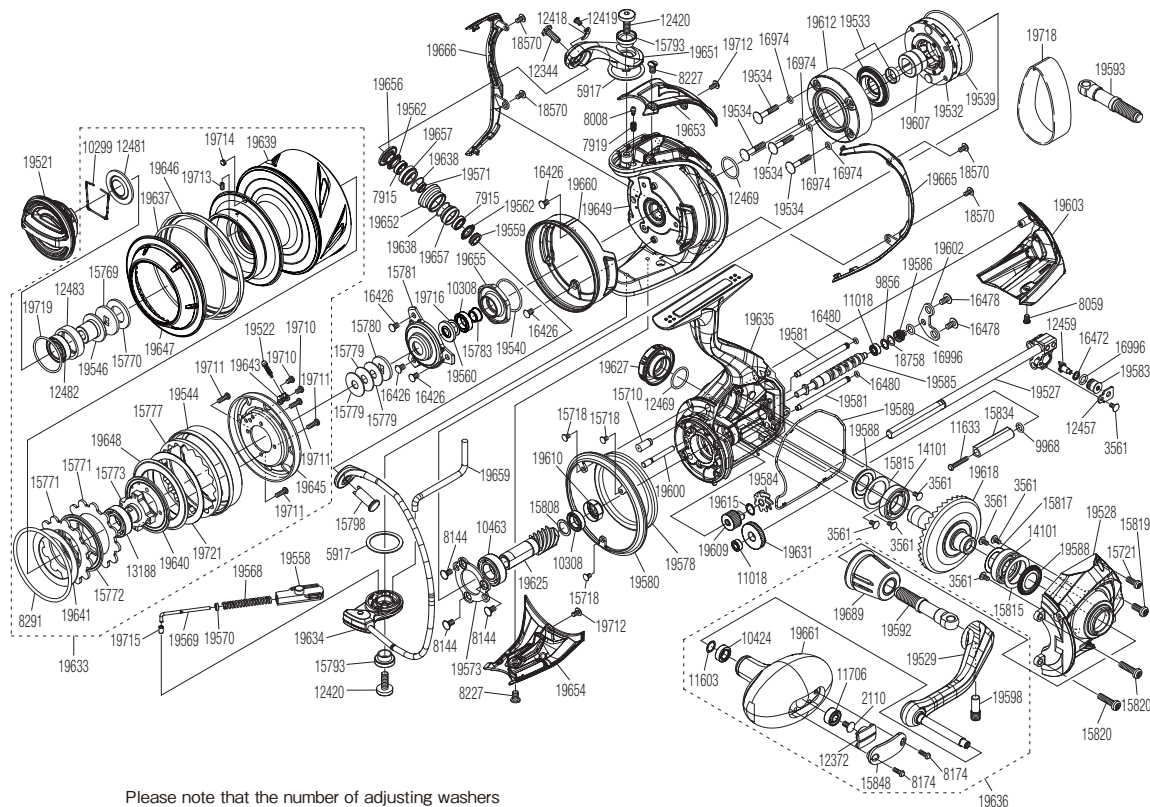


SHIMANO

STELLA **S**A-RB

STL-SW10000PG



Please note that the number of adjusting washers may not be the same as shown in the exploded views. (Adjustment will vary with each individual product.)
 RD 19532 Roller Clutch Assembly please send the equipment out to after-sales service for replacement of the roller clutch assembly.
 Malfunctions and other problems resulting from disassembly are not covered by warranty.
 The customer shall take full responsibility for any issues arising from disassembling this product.

(51SF24R104X)

Part No.	Description	Part No.	Description	Part No.	Description
RD 2110	Screw	RD15819	Screw	RD19618	Drive Gear Assembly
RD 3561	Screw	RD15820	Screw	RD19625	Pinion Gear
RD 5917	Washer	RD15834	Collar	RD19627	Handle Screw Cap
RD 7915	Ball Bearing	RD15848	Handle Knob ID Plate	RD19631	Idle Gear (Large)
RD 7919	Click Spring	RD16426	Screw	RD19633	Spool Assembly
RD 8008	Click Pin	RD16472	Washer	RD19634	Bail Assembly
RD 8059	Screw	RD16478	Screw	RD19635	Body Assembly
RD 8144	Screw	RD16480	O Ring	RD19636	Handle Assembly
RD 8174	Screw	RD16974	O Ring	RD19637	O Ring
RD 8227	Screw	RD16996	O Ring	RD19638	O Ring
RD 8291	O Ring	RD18570	Screw	RD19639	Spool Shell
RD 9856	Washer	RD18758	Washer	RD19640	Drag Disk B
RD 9968	O Ring	RD19521	Drag Knob Assembly	RD19641	Drag Washer C
RD10299	Retainer	RD19522	Drag Click Assembly	RD19643	Spring Holder
RD10308	Ball Bearing	RD19527	Main Shaft Assembly	RD19645	Heat Sink
RD10424	Ball Bearing	RD19528	Side Cover Assembly	RD19646	Spool Ring
RD10463	Ball Bearing	RD19529	Handle Shank Assembly	RD19647	Collar
RD11018	Ball Bearing	RD19532	Roller Clutch Assembly	RD19648	Spool Bearing Water Proof
RD11603	Washer	RD19533	Roller Clutch Waterproof Assembly	RD19649	Rotor
RD11633	Screw	RD19534	Screw	RD19651	Bail Arm
RD11706	Ball Bearing	RD19539	O Ring	RD19652	Line Roller
RD12344	Screw	RD19540	O Ring	RD19653	Bail Spring Cover
RD12372	Handle Knob Seal	RD19544	Drag Cover	RD19654	Bail Hold Support Guard
RD12418	Retainer	RD19546	Bearing Support	RD19655	Rotor Nut
RD12419	Screw	RD19558	Bail Spring Guide B	RD19656	Line Roller Plate
RD12420	Screw	RD19559	Collar	RD19657	Bushing
RD12457	Oscillating Pawl Cover	RD19560	Bearing Water Proof	RD19659	Bail Trip Lever
RD12459	Oscillating Pawl	RD19562	Line Roller Seal	RD19660	Rotor Brim
RD12469	O Ring	RD19568	Bail Spring	RD19661	Handle Knob
RD12481	Waterproof Sheet	RD19569	Bail Spring Guide A	RD19665	Rotor Guard A
RD12482	Ball Bearing	RD19570	Spring Guide A Support Collar	RD19666	Rotor Guard B
RD12483	Bearing Bushing	RD19571	Collar	RD19689	Handle Shaft Cover Assembly
RD12493	Ball Bearing	RD19573	Bearing Retainer	RD19710	Screw
RD14101	Ball Bearing	RD19578	Friction Ring	RD19711	Screw
RD15710	Body Flange Seal	RD19580	Body Flange Ring	RD19712	Screw
RD15718	Screw	RD19581	Oscillating Guide	RD19713	Set screw
RD15721	Screw	RD19583	Oscillating Slider Bushing	RD19714	Spool Ring Pin
RD15769	Key Washer	RD19584	Idle Gear	RD19715	Bail Spring Guide A Bush
RD15770	Drag Washer A	RD19585	Worm Shaft	RD19716	Washer
RD15771	Drag Washer B	RD19586	Bushing	RD19719	O Ring
RD15772	Drag Disk A	RD19588	Bearing Water Proof	RD19721	Washer
RD15773	Bearing Bushing	RD19589	Body Seal		
RD15777	Drag Click Ratchet	RD19592	Handle Shaft		
RD15779	Spool Washer	RD19598	Screw		
RD15780	Spool Support	RD19600	Idle Gear Shaft		
RD15781	Retainer	RD19602	Worm Shaft Retainer		
RD15783	Spacer	RD19603	Rear Protector		
RD15793	Collar	RD19607	Roller Clutch Inner		
RD15798	Line Roller Support	RD19609	Idle Gear (Small)		
RD15808	Washer	RD19610	Bushing		
RD15815	Washer	RD19612	Clutch Water Proof Cover	RD19718	Belt (M) (accessory)
RD15817	Washer	RD19615	Washer	RD19593	Handle Shaft (Right) (accessory)