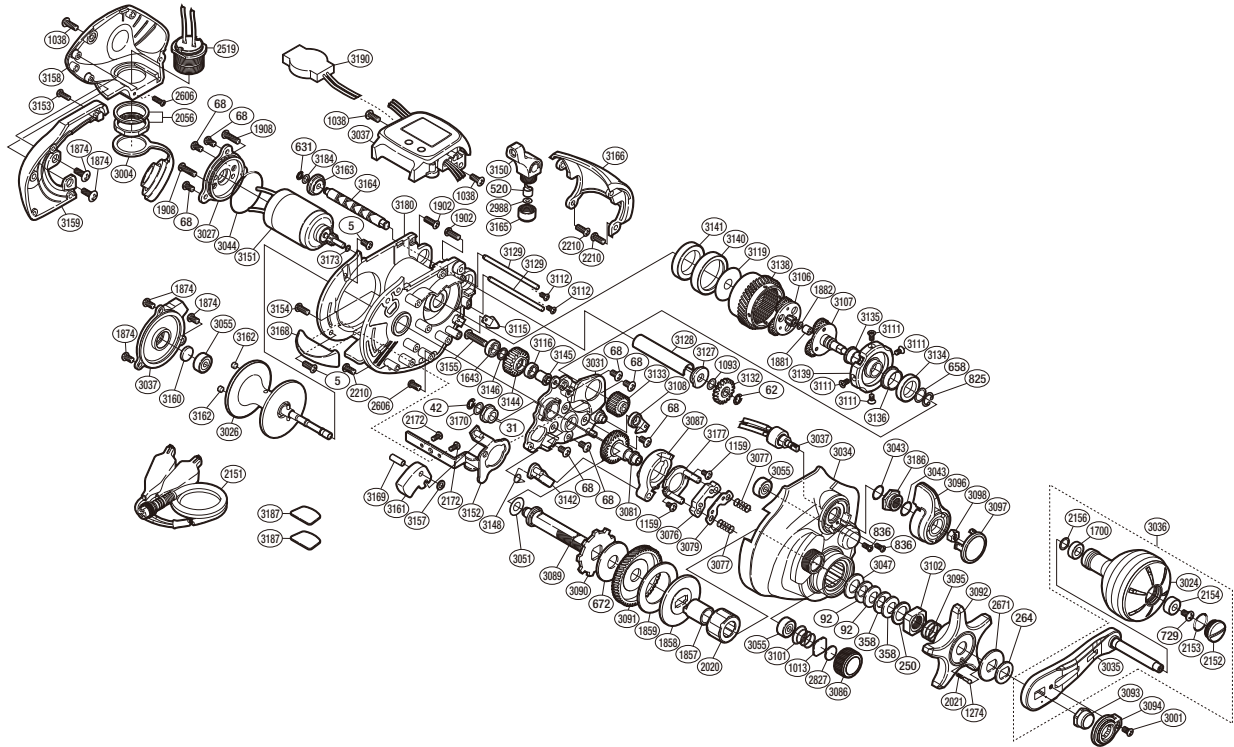


SHIMANO

PLAYS SA-RB

PL-600



Please note that the number of adjusting washers may not be the same as shown in the exploded views. (Adjustment will vary with each individual product.)

(51RG540600X)

Part No.	Description	Part No.	Description	Part No.	Description
TGT0005	Screw	TGT2988	Washer	TGT3129	Stabilizer Bar
TGT0031	Drive Shaft Bushing	TGT3001	Screw	TGT3132	Worm Gear
TGT0042	E Lock	TGT3004	Socket Cap	TGT3133	Pinion Gear
TGT0062	E Lock	TGT3024	Handle Knob Assembly	TGT3134	Bushing A
TGT0068	Screw	TGT3026	Spool Assembly	TGT3135	Plate Bushing
TGT0092	Drag Spring Washer (8H)	TGT3027	Motor Holder Assembly	TGT3136	Bushing A Sleeve
TGT0250	Star Drag Washer	TGT3031	Set Plate Assembly	TGT3138	Motor Holder Cover
TGT0264	Drive Shaft Shield	TGT3034	Right Side Plate Assembly	TGT3139	Motor Holder Cover Cover
TGT0358	Drag Spring Washer (8L)	TGT3035	Handle Shank Assembly	TGT3140	Bushing B
TGT0520	Line Guide Pawl	TGT3036	Handle Assembly	TGT3141	Bushing B Sleeve
TGT0631	E Lock	TGT3037	Counter Assembly	TGT3142	Clutch Pawl
TGT0658	Washer	TGT3043	O Ring	TGT3144	Pinion Transfer Gear A
TGT0672	Drag Washer	TGT3044	O Ring	TGT3145	Pinion Transfer Gear A Collar
TGT0729	Screw	TGT3047	Washer	TGT3146	Pinion Transfer Gear A Collar B
TGT0825	C Lock	TGT3051	Washer	TGT3148	Clutch Pawl Spring
TGT0836	Screw	TGT3055	Ball Bearing	TGT3150	Line Guide Assembly
TGT1013	Spool Tension Spacer	TGT3076	Yoke	TGT3151	Motor Assembly
TGT1038	Screw	TGT3077	Yoke Spring	TGT3152	Clutch Plate Assembly
TGT1093	Washer	TGT3079	Yoke Plate	TGT3153	Screw
TGT1159	Screw	TGT3081	Pinion Transfer Gear B	TGT3154	Screw
TGT1274	Click Pin	TGT3086	Cast Control Cap	TGT3155	Screw
TGT1643	Ball Bearing	TGT3087	Clutch Cam	TGT3157	Washer
TGT1700	Handle Knob Bushing B	TGT3089	Drive Shaft	TGT3158	Left Side Plate
TGT1857	Roller Clutch Inner Tube	TGT3090	Anti-Reverse Ratchet	TGT3159	Left Side Plate 2
TGT1858	Pressure Plate	TGT3091	Drive Gear	TGT3160	Spacer B
TGT1859	Drag Washer	TGT3092	Star Drag	TGT3161	Clutch Lever B
TGT1874	Screw	TGT3093	Handle Nut	TGT3162	Magnet
TGT1881	Plate Bushing	TGT3094	Handle Nut Plate	TGT3163	Worm Bushing B
TGT1882	Washer	TGT3095	Star Drag Spring	TGT3164	Worm Shaft
TGT1902	Screw	TGT3096	Lever Switch	TGT3165	Pawl Cap
TGT1908	Screw	TGT3097	Lever Switch Sticker	TGT3166	Level Wind Protector
TGT2020	Roller Clutch Bearing	TGT3098	Lever Switch Nut	TGT3168	Clutch Bar
TGT2021	Click Spring	TGT3101	Spool Tension Spring	TGT3169	Clutch Lever B Shaft
TGT2056	Socket Nut Set	TGT3102	Star Drag Nut	TGT3170	Drive Shaft Washer
TGT2152	Handle Knob Seal	TGT3106	Reduction Gear Plate A Assembly	TGT3173	Washer
TGT2153	O Ring	TGT3107	Reduction Gear Plate B Assembly	TGT3177	Clutch Cam Retainer
TGT2154	Handle Knob Bushing A	TGT3108	Anti-Reverse Pawl Assembly	TGT3180	Frame
TGT2156	Washer	TGT3111	Screw	TGT3184	Washer
TGT2172	Screw	TGT3112	Screw	TGT3186	Potentiometer Nut
TGT2210	Screw	TGT3115	Line Clip	TGT3190	Choke Coil
TGT2519	Socket Set	TGT3116	Ball Bearing		
TGT2606	Screw	TGT3119	Washer		
TGT2671	Star Drag Click Plate	TGT3127	Worm Bushing A	TGT2151	Cable (accessory)
TGT2827	Spacer B	TGT3128	Level Wind Guard	TGT3187	Reel Seat Spacer (accessory)