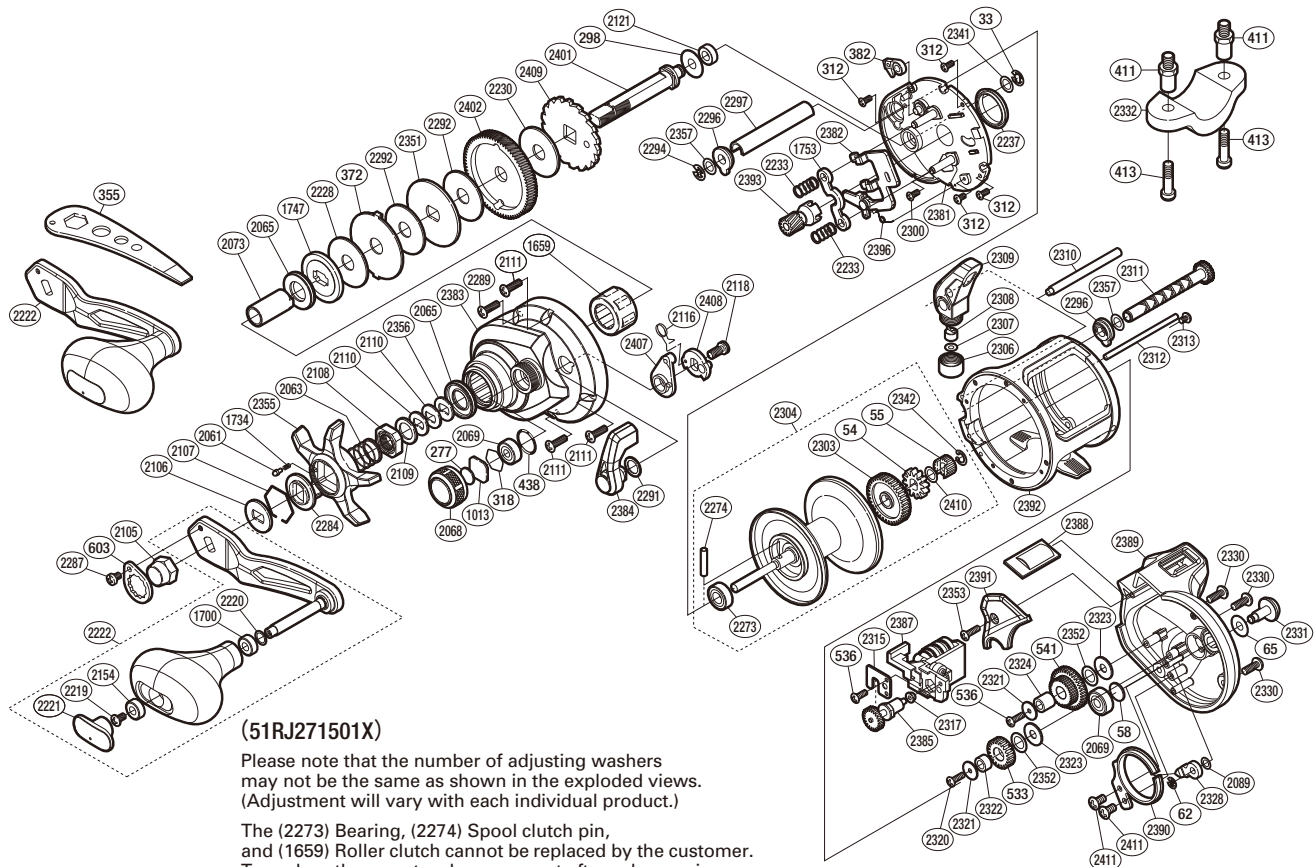


# SHIMANO

## TEKOTA SA-RB

## TEK501HGLCA



(51RJ271501X)

Please note that the number of adjusting washers may not be the same as shown in the exploded views. (Adjustment will vary with each individual product.)

The (2273) Bearing, (2274) Spool clutch pin, and (1659) Roller clutch cannot be replaced by the customer. To replace these parts, please request after-sales service.

Part No.	Description	Part No.	Description	Part No.	Description
TGT0033	E Lock	TGT2118	Screw	TGT2324	Idle Gear D Support
TGT0054	Click Gear	TGT2121	Drive Shaft Bushing	TGT2328	Click Pawl
TGT0055	Idle Gear A	TGT2154	Handle Knob Bushing A	TGT2330	Screw
TGT0058	Spacer B	TGT2219	Screw	TGT2331	Click Button
TGT0062	E Lock	TGT2220	Washer	TGT2341	Washer
TGT0065	Spacer A	TGT2221	Handle Knob Seal	TGT2342	Idle Gear Retainer
TGT0277	Cast Control Spacer	TGT2222	Handle Assembly	TGT2351	Key Washer C
TGT0298	Washer	TGT2228	Drag Washer D	TGT2352	Washer
TGT0312	Screw	TGT2230	Drag Washer A	TGT2353	Screw
TGT0318	Bearing Retainer	TGT2233	Yoke Spring	TGT2355	Star Drag
TGT0372	Eared Washer E	TGT2237	Frame Center Seal	TGT2356	Washer
TGT0382	Anti-Reverse Pawl	TGT2273	Ball Bearing	TGT2357	Washer
TGT0438	O Ring	TGT2274	Spool Clutch Pin	TGT2381	Left Side Plate Set Assembly
TGT0533	Idle Gear B	TGT2284	Star Drag Click Plate	TGT2382	Clutch Plate Assembly
TGT0536	Screw	TGT2287	Screw	TGT2383	Left Side Plate Assembly
TGT0541	Idle Gear D	TGT2289	Screw	TGT2384	Clutch Lever Unit
TGT0603	Handle Nut Plate	TGT2291	Smoothen	TGT2385	Counter Unit Assembly
TGT1013	Spool Tension Spacer	TGT2292	Drag Washer B	TGT2387	Counter Gear Assembly
TGT1659	Roller Clutch Bearing	TGT2294	E Lock	TGT2388	Counter Lens Assembly
TGT1700	Handle Knob Bushing	TGT2296	Worm Bushing A	TGT2389	Right Side Plate
TGT1734	Click Spring	TGT2297	Level Wind Guard	TGT2390	Click Spring
TGT1747	Pressure Plate	TGT2300	Screw	TGT2391	Right Side Plate Seal
TGT1753	Yoke	TGT2303	Counter Gear A	TGT2392	Frame
TGT2061	Click Pin B	TGT2304	Spool Assembly	TGT2393	Pinion Gear
TGT2063	Star Drag Spring	TGT2306	Pawl Cap	TGT2396	Clutch Pawl Spring
TGT2065	Roller Clutch Water Proof	TGT2307	Washer	TGT2401	Drive Shaft
TGT2068	Cast Control Cap	TGT2308	Line Guide Pawl	TGT2402	Drive Gear
TGT2069	Ball Bearing	TGT2309	Line Guide Pawl Holder Assembly	TGT2407	Eccentric Cam Bushing
TGT2073	Roller Clutch Inner Tube	TGT2310	Stabilizer Bar A	TGT2408	Clutch Cam Assembly
TGT2089	Washer	TGT2311	Worm Shaft Unit	TGT2409	Anti-Reverse Ratchet
TGT2105	Handle Nut	TGT2312	Stabilizer Bar B	TGT2410	Washer
TGT2106	Drive Shaft Shield	TGT2313	Screw	TGT2411	Screw
TGT2107	Click Plate Retainer	TGT2315	Counter Frame Plate		
TGT2108	Star Drag Nut	TGT2317	Bushing	TGT0411	Rod Clamp Nut (Accessory)
TGT2109	Star Drag Spacer	TGT2320	Screw	TGT0413	Rod Clamp Bolt (Accessory)
TGT2110	Coned Disc Spring 8h	TGT2321	Idle Gear B Spacer B	TGT2332	Rod Clamp (Accessory)
TGT2111	Screw	TGT2322	Idle Gear B Support		
TGT2116	Clutch Spring	TGT2323	Idle Gear B Spacer A	TGT0355	Wrench (Accessory)