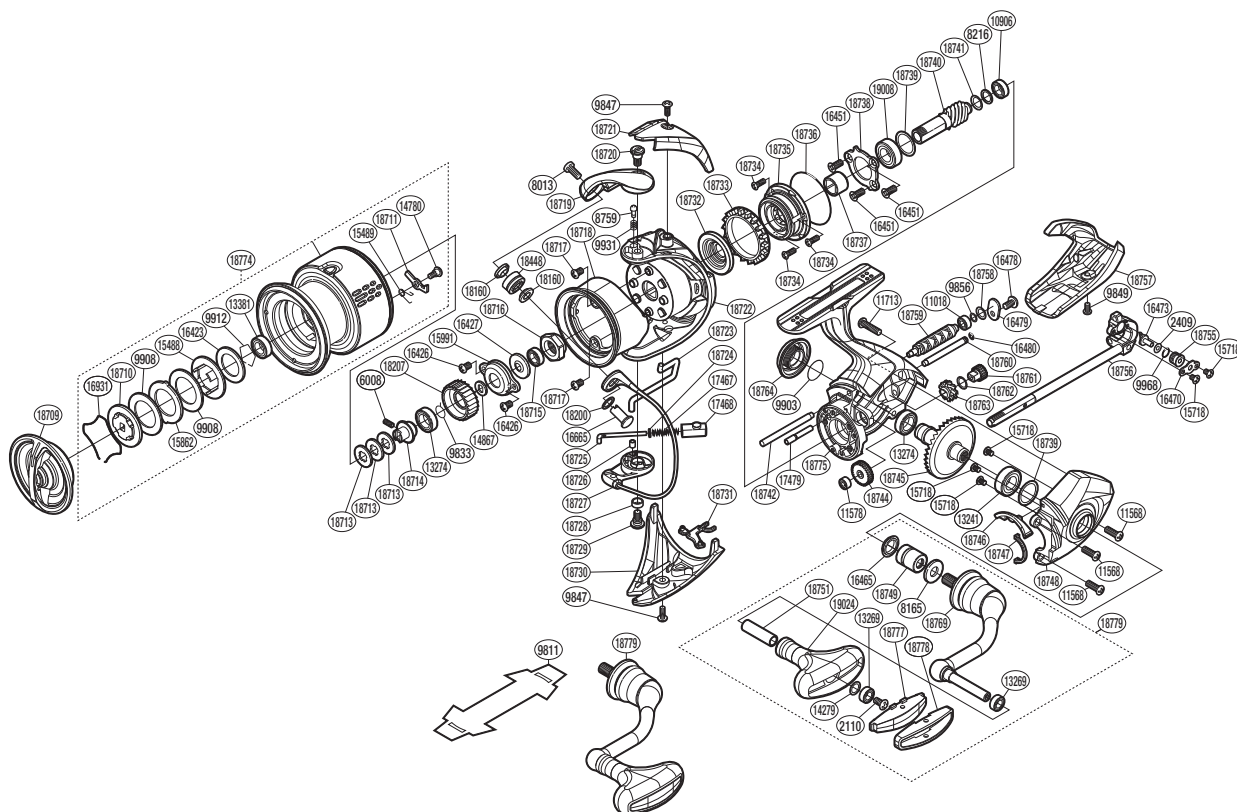


SHIMANO

STELLA S A-RB

STL-C3000



* (18735) Please send the equipment out to after-sales service for replacement of the roller clutch assembly.

Please note that the number of adjusting washers may not be the same as shown in the exploded views.
(Adjustment will vary with each individual product.)

(51SF14E030X)

Part No.	Description	Part No.	Description	Part No.	Description
RD 2110	Screw	RD16473	Oscillating Pawl	RD18736	O Ring
RD 2409	Spacer	RD16478	Screw	RD18737	Roller Clutch Inner
RD 6008	Set Screw	RD16479	Worm Shaft Retainer	RD18738	Bearing Retainer
RD 8013	Screw	RD16480	O Ring	RD18739	Washer
RD 8165	Washer	RD16665	Line Roller Support	RD18740	Pinion Gear
RD 8216	Washer	RD16931	Drag Washers Retainer	RD18741	Washer
RD 8759	Click Pin	RD17467	Bail Spring	RD18742	Oscillating Guide A
RD 9833	Ratchet Spring	RD17468	Bail Spring Guide B	RD18744	Idle Gear
RD 9847	Screw	RD17479	Idle Gear B Shaft	RD18745	Drive Gear
RD 9849	Screw	RD18160	Bearing Spacer	RD18746	Bail Trip Strike
RD 9856	Washer	RD18200	Washer	RD18747	Flange Water Proof
RD 9903	O Ring	RD18207	Drag Click Ratchet	RD18748	Side Cover Assembly
RD 9908	Drag Washer	RD18448	Line Roller Set (With Bearing)	RD18749	Handle Shaft Cover B
RD 9912	Bearing Retainer	RD18709	Drag Knob Assembly	RD18751	Handle Knob Pipe
RD 9931	Click Spring	RD18710	Key Washer	RD18755	Oscillating Slider Bushing
RD 9968	O Ring	RD18711	Drag Click	RD18756	Main Shaft Assembly
RD10906	Ball Bearing	RD18713	Spool Washer	RD18757	Rear Protector
RD11018	Ball Bearing	RD18714	Bearing Bushing	RD18758	Washer
RD11568	Screw	RD18715	Main Shaft Spacer Assembly(With Bearing)	RD18759	Worm Shaft
RD11578	Ball Bearing	RD18716	Rotor Nut	RD18760	Oscillating Guide B
RD11713	Screw	RD18717	Screw	RD18761	Idle Gear (Small)
RD13241	Ball Bearing	RD18718	Rotor Brim	RD18762	Washer
RD13269	Ball Bearing	RD18719	Bail Arm	RD18763	Idle Gear (Large)
RD13274	Ball Bearing	RD18720	Screw	RD18764	Handle Screw Cap
RD13381	Ball Bearing	RD18721	Bail Spring Cover	RD18769	Handle Shank Assembly
RD14279	Washer	RD18722	Rotor Assembly	RD18774	Spool Assembly
RD14780	Screw	RD18723	Bail Trip Lever	RD18775	Body Assembly
RD14867	Spool Support	RD18724	Spring Guide A Support	RD18777	Handle Knob Seal
RD15488	Key Washer	RD18725	Bail Spring Guide A	RD18778	Handle Knob I.D. Plate
RD15489	Drag Click Spring	RD18726	Bail Spring Guide A Bush	RD18779	Handle Assembly
RD15718	Screw	RD18727	Bail Assembly	RD19008	Ball Bearing
RD15862	Eared Washer	RD18728	Bail Trip Cam Bushing	RD19024	Handle Knob
RD15991	Rotor Nut Lock Plate	RD18729	Screw		
RD16423	Drag Washer	RD18730	Bail Hold Support Guard	RD 9811	Reel Seat Spacer (accessory)
RD16426	Screw	RD18731	Rotor Side Cover		
RD16427	Bearing Water Proof	RD18732	Rotor Ring	PK 0447	Gear Set
RD16451	Screw	RD18733	Friction Ring	PK 0448	Bearing Set
RD16465	Handle Shaft Seal	RD18734	Screw	PK 0449	Oscillation Set
RD16470	Oscillating Pawl Cover	RD18735	Roller Clutch Assembly	PK 0450	Line Roller Set