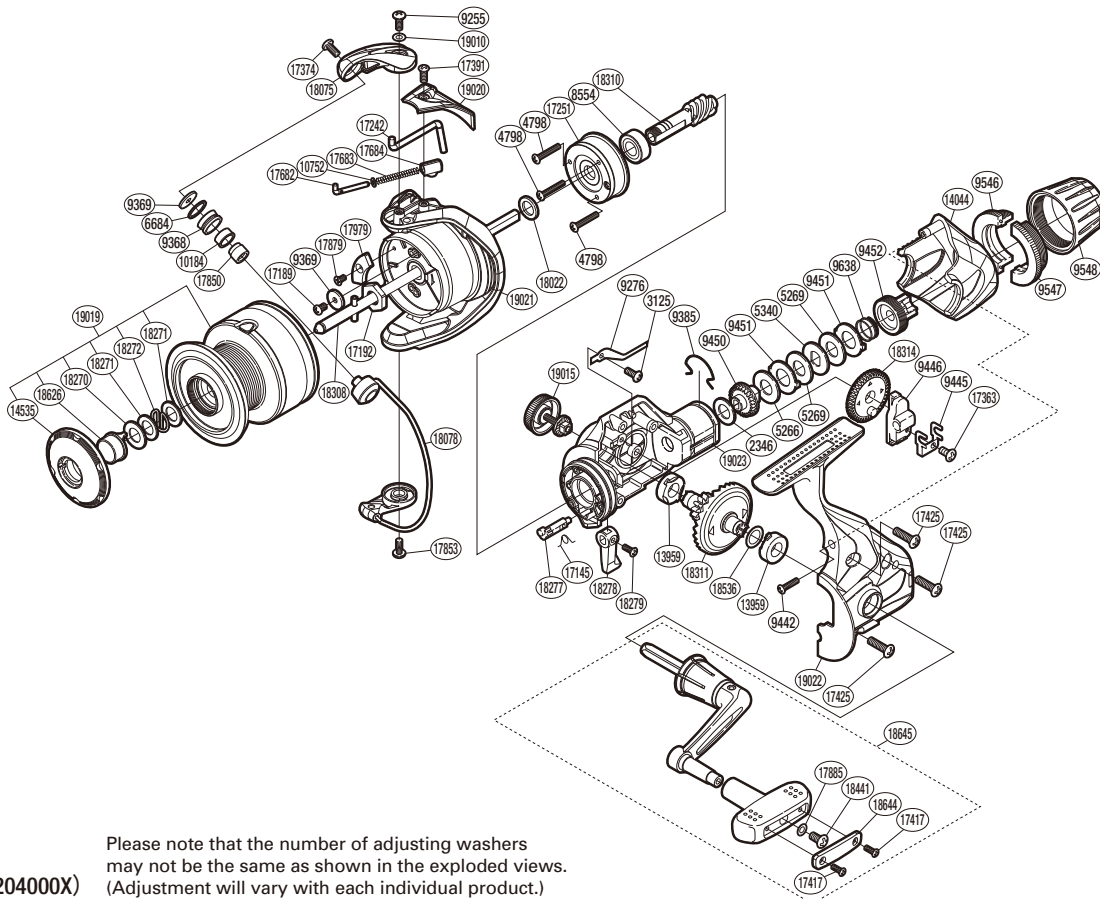


SHIMANO

SIENNA

SN4000RE



Please note that the number of adjusting washers may not be the same as shown in the exploded views. (51SF204000X) (Adjustment will vary with each individual product.)

Part No.	Description	Part No.	Description	Part No.	Description
RD 2346	Drag Washer	RD10752	Bail Spring Guide A Support	RD18078	Bail Assembly
RD 3125	Screw	RD13959	Drive Gear Bushing	RD18270	Washer
RD 4798	Screw	RD14044	Rear Protector	RD18271	Washer
RD 5266	Drag Washer	RD14535	Push Button Collar	RD18272	Locking Spring
RD 5269	Drag Washer	RD17145	Anti-Reverse Cam Spring	RD18277	Anti-Reverse Cam
RD 5340	Key Washer	RD17189	Screw	RD18278	Anti-Reverse Lever
RD 6684	Line Roller Spacer	RD17192	Rotor Nut	RD18279	Screw
RD 8554	Ball Bearing	RD17242	Bail Trip Lever	RD18308	Main Shaft
RD 9255	Screw	RD17251	Roller Clutch Assembly	RD18310	Pinion Gear
RD 9276	Drag Click	RD17363	Screw	RD18311	Drive Gear
RD 9368	Line Roller	RD17374	Screw	RD18314	Oscillating Gear
RD 9369	Washer	RD17391	Screw	RD18441	Screw
RD 9385	Hold Click Spring	RD17417	Screw	RD18536	Washer
RD 9442	Screw	RD17425	Screw	RD18626	Push Button
RD 9445	Oscillating Slider Retainer	RD17682	Bail Spring Guide A	RD18644	Handle Knob I.D. Plate
RD 9446	Oscillating Slider	RD17683	Bail Spring	RD18645	Handle Assembly
RD 9450	Drag Shaft	RD17684	Bail Spring Seat	RD19010	Washer
RD 9451	Eared Washer	RD17850	Line Roller Collar	RD19015	Handle Screw Cap
RD 9452	Pressure Screw	RD17853	Screw	RD19019	Spool Assembly
RD 9546	Drag Programmer B1	RD17879	Screw	RD19020	Bail Spring Cover
RD 9547	Drag Programmer B2	RD17885	Washer	RD19021	Rotor
RD 9548	Drag Programmer A	RD17979	Counter Weight A	RD19022	Side Cover
RD 9638	Drag Coil Spring	RD18022	Washer	RD19023	Body
RD10184	Line Roller Bushing	RD18075	Bail Arm		