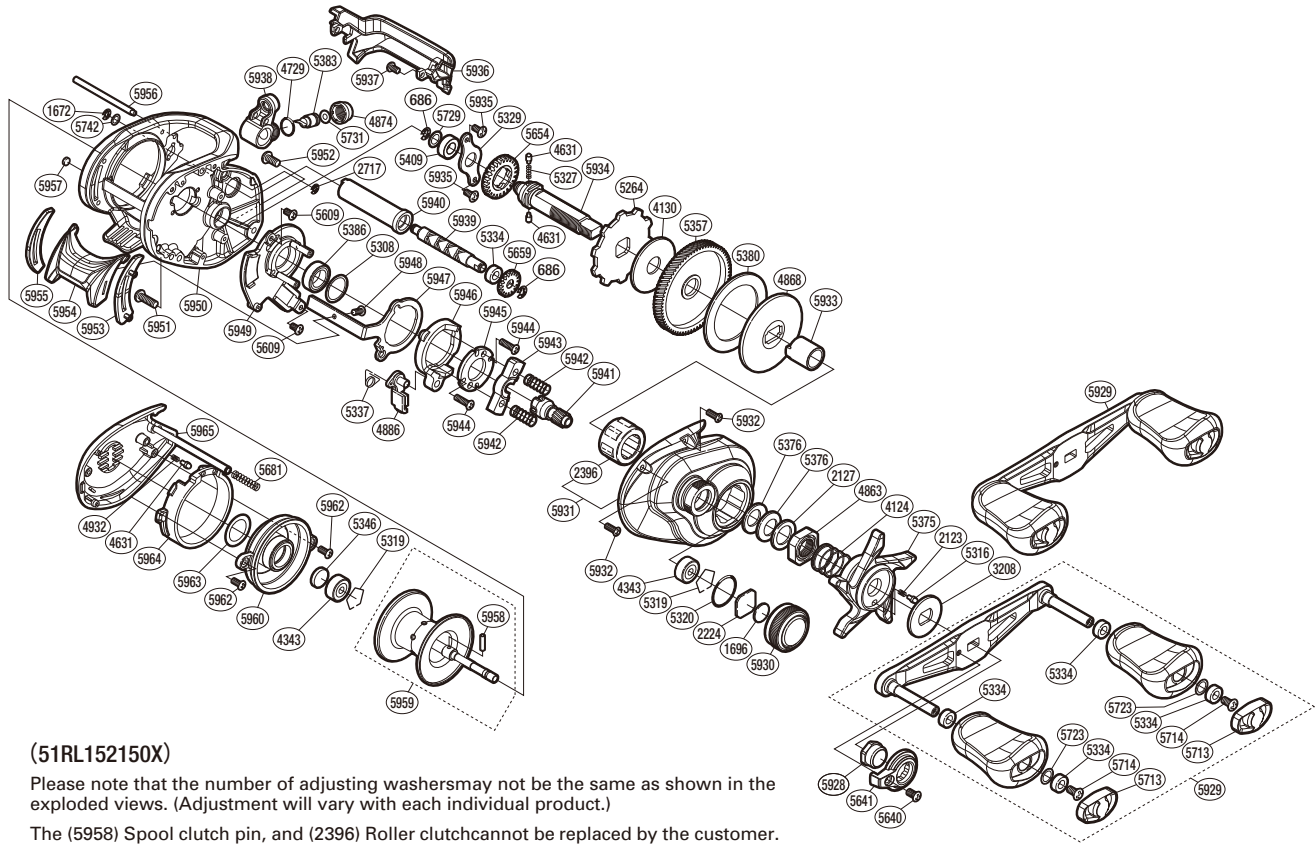


SHIMANO

SLX SA-RB

SLX150XG



(51RL152150X)

Please note that the number of adjusting washers may not be the same as shown in the exploded views. (Adjustment will vary with each individual product.)

The (5958) Spool clutch pin, and (2396) Roller clutch cannot be replaced by the customer. To replace these parts, please request after-sales service.

Part No.	Description	Part No.	Description	Part No.	Description
BNT0686	E Lock	BNT5357	Drive Gear	BNT5938	Line Guide Assembly
BNT1672	E Lock	BNT5375	Star Drag	BNT5939	Worm Shaft
BNT1696	Cast Control Spacer (B)	BNT5376	Drag Spring Washer	BNT5940	Level Wind Guard
BNT2123	Click Spring	BNT5380	Drag Washer	BNT5941	Pinion Gear
BNT2127	Star Drag Spacer	BNT5383	Line Guide Pawl	BNT5942	Yoke Spring
BNT2224	Spool Tension Spacer (A)	BNT5386	Ball Bearing	BNT5943	Yoke
BNT2396	Roller Clutch Bearing	BNT5409	Drive Shaft Bushing	BNT5944	Screw
BNT2717	E Lock	BNT5609	Screw	BNT5945	Clutch Cam Retainer
BNT3208	Star Drag Click Plate	BNT5640	Screw	BNT5946	Clutch Cam
BNT4124	Star Drag Spring	BNT5641	Handle Nut Plate	BNT5947	Clutch Plate
BNT4130	Drag Washer	BNT5654	Idle Gear	BNT5948	Screw
BNT4343	Ball Bearing	BNT5659	Idle Gear	BNT5949	Clutch Guard Assembly
BNT4631	Idle Gear Pin	BNT5681	Spring	BNT5950	Frame
BNT4729	O Ring	BNT5713	Handle Knob Seal	BNT5951	Screw
BNT4863	Star Drag Nut	BNT5714	Screw	BNT5952	Screw
BNT4868	Key Washer	BNT5723	Washer	BNT5953	Clutch Bar Guide B
BNT4874	Pawl Cap	BNT5729	Washer	BNT5954	Clutch Button
BNT4886	Clutch Pawl	BNT5731	Washer	BNT5955	Clutch Bar Guide A
BNT4932	Click Spring	BNT5742	Washer	BNT5956	Stabilizer Bar
BNT5264	Anti-Reverse Ratchet	BNT5928	Handle Nut	BNT5957	Washer
BNT5308	Washer	BNT5929	Handle Assembly	BNT5958	Spool Pin
BNT5316	Click Pin	BNT5930	Cast Control Cap	BNT5959	Spool Assembly
BNT5319	Bearing Retainer	BNT5931	Right Side Plate Assembly	BNT5960	Dial Case
BNT5320	O Ring	BNT5932	Screw	BNT5962	Screw
BNT5327	Idle Gear Spring	BNT5933	Roller Clutch Inner Tube	BNT5963	Washer
BNT5329	Drive Shaft Retainer	BNT5934	Drive Shaft	BNT5964	Left Side Plate Cam Lever
BNT5334	Bushing	BNT5935	Screw	BNT5965	Left Side Plate Assembly
BNT5337	Clutch Pawl Spring	BNT5936	Level Wind Protector		
BNT5346	Spacer B	BNT5937	Screw	BNT4692	B-100 Oil (Accessory)