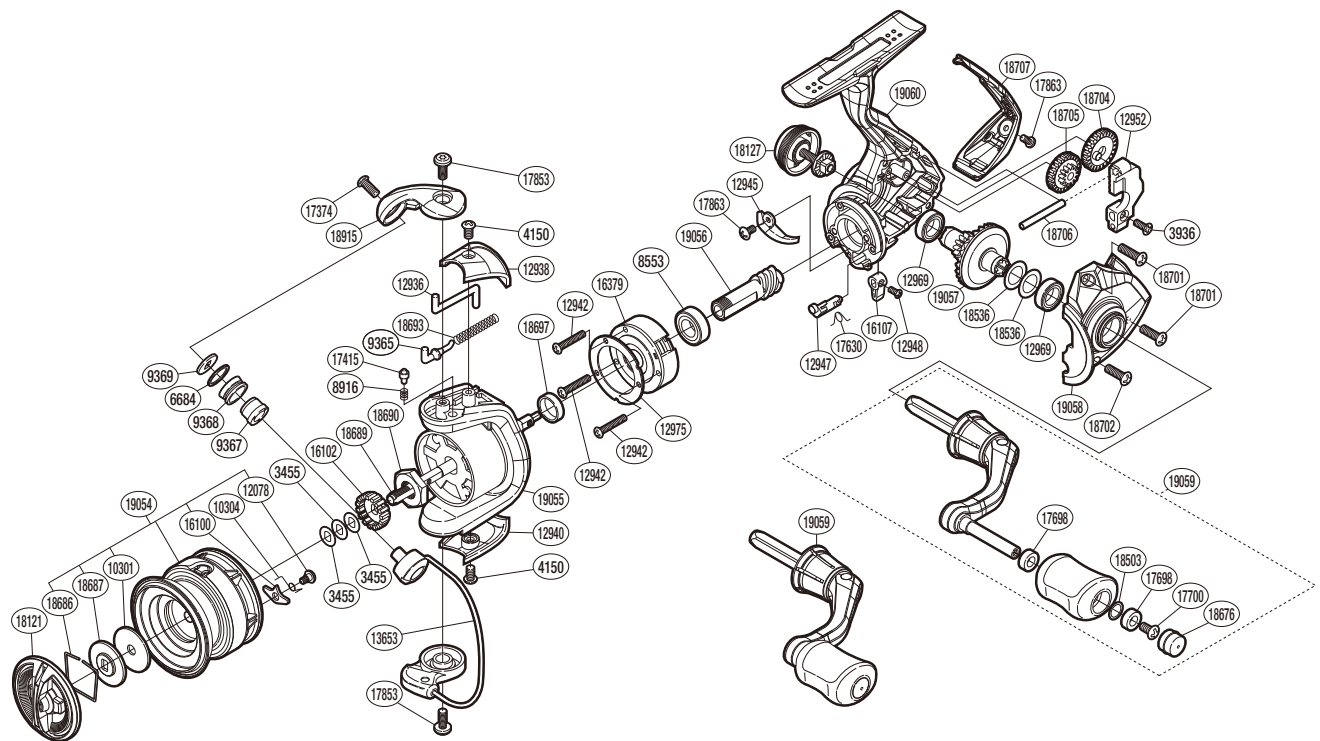


SHIMANO

SEDONA

SE500FI



(51SB43B005X)

Please note that the number of adjusting washers may not be the same as shown in the exploded views. (Adjustment will vary with each individual product.)

Part No.	Description	Part No.	Description	Part No.	Description
RD 3455	Spool Washer	RD12952	Oscillating Slider	RD18686	Drag Washer Retainer
RD 3936	Screw	RD12969	Ball Bearing	RD18687	Key Washer
RD 4150	Screw	RD12975	Roller Clutch Reinforce	RD18689	Main Shaft
RD 6684	Line Roller Spacer	RD13653	Bail Assembly	RD18690	Rotor Nut
RD 8553	Ball Bearing	RD16100	Drag Click	RD18693	Bail Spring
RD 8916	Click Spring	RD16102	Spool Support	RD18697	Rotor Ring
RD 9365	Bail Spring Guide	RD16107	Anti-Reverse Lever	RD18701	Screw
RD 9367	Line Roller Bushing	RD16379	Roller Clutch Assembly	RD18702	Screw
RD 9368	Line Roller	RD17374	Screw	RD18704	Oscillating Gear
RD 9369	Washer	RD17415	Click Pin	RD18705	Idle Gear
RD10301	Drag Washer	RD17630	Anti-Reverse Cam Spring	RD18706	Oscillating Guide
RD10304	Drag Click Spring	RD17698	Handle Knob Bushing	RD18707	Rear Protector
RD12078	Screw	RD17700	Screw	RD18915	Bail Arm
RD12936	Bail Trip Lever	RD17853	Screw	RD19054	Spool Assembly
RD12938	Bail Spring Cover	RD17863	Screw	RD19055	Rotor
RD12940	Bail Hold Support Guard	RD18121	Drag Knob	RD19056	Pinion Gear
RD12942	Screw	RD18127	Handle Screw Cap	RD19057	Drive Gear
RD12945	Bail Trip Strike	RD18503	Washer	RD19058	Side Cover
RD12947	Anti-Reverse Cam	RD18536	Washer	RD19059	Handle Assembly
RD12948	Screw	RD18676	Handle Knob Seal	RD19060	Body Assembly