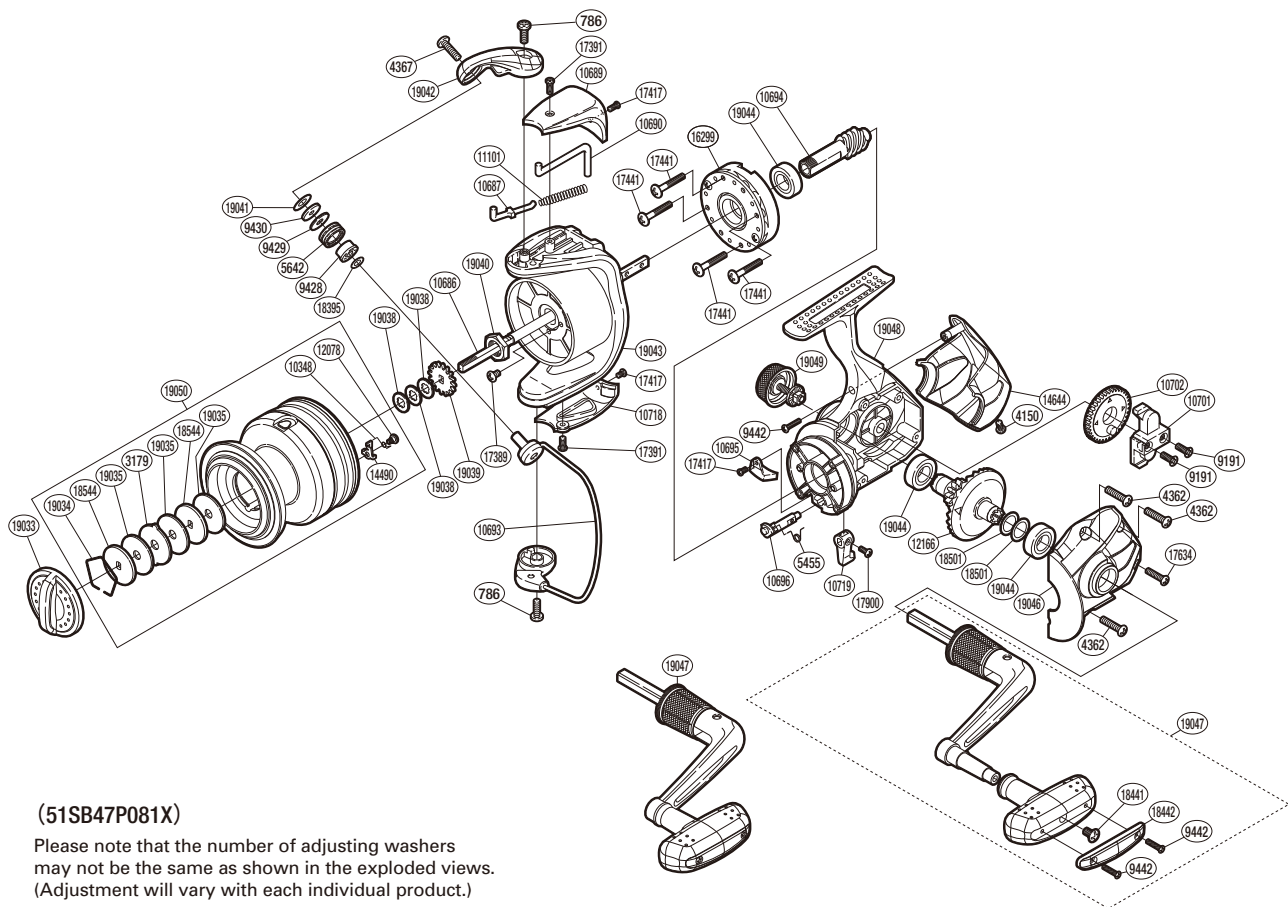


SHIMANO

NEXAVE

NEX8000FE K/C



(51SB47P081X)

Please note that the number of adjusting washers may not be the same as shown in the exploded views. (Adjustment will vary with each individual product.)

Part No.	Description	Part No.	Description	Part No.	Description
RD 0786	Screw	RD10695	Bail Trip Strike	RD18441	Screw
RD 3179	Eared Washer	RD10696	Anti-Reverse Cam	RD18442	Handle Knob I.D. Plate
RD 4150	Screw	RD10701	Oscillating Slider	RD18501	Washer
RD 4362	Screw	RD10702	Oscillating Gear	RD18544	Key Washer
RD 4367	Screw	RD10718	Bail Hold Support Guard	RD19033	Drag Knob Assembly
RD 5455	Anti-Reverse Cam Spring	RD10719	Anti-Reverse Lever	RD19034	Drag Washer Retainer
RD 5642	Line Roller	RD11101	Bail Spring	RD19035	Drag Washer
RD 9191	Screw	RD12078	Screw	RD19038	Washer
RD 9428	Line Roller Bushing	RD12166	Drive Gear	RD19039	Spool Support
RD 9429	Line Roller Spacer A	RD14490	Drag Click	RD19040	Rotor Nut
RD 9430	Line Roller Washer	RD14644	Rear Protector	RD19041	Line Roller Spacer B
RD 9442	Screw	RD16299	Roller Clutch Assembly	RD19042	Bail Arm
RD10348	Click Spring	RD17389	Screw	RD19043	Rotor
RD10686	Main Shaft	RD17391	Screw	RD19044	Ball Bearing
RD10687	Bail Spring Guide A	RD17417	Screw	RD19046	Side Cover
RD10689	Bail Spring Cover	RD17441	Screw	RD19047	Handle Assembly
RD10690	Bail Trip Lever	RD17634	Screw	RD19048	Body Assembly
RD10693	Bail Assembly	RD17900	Screw	RD19049	Handle Screw Cap Assembly
RD10694	Pinion Gear	RD18395	Washer	RD19050	Spool Assembly