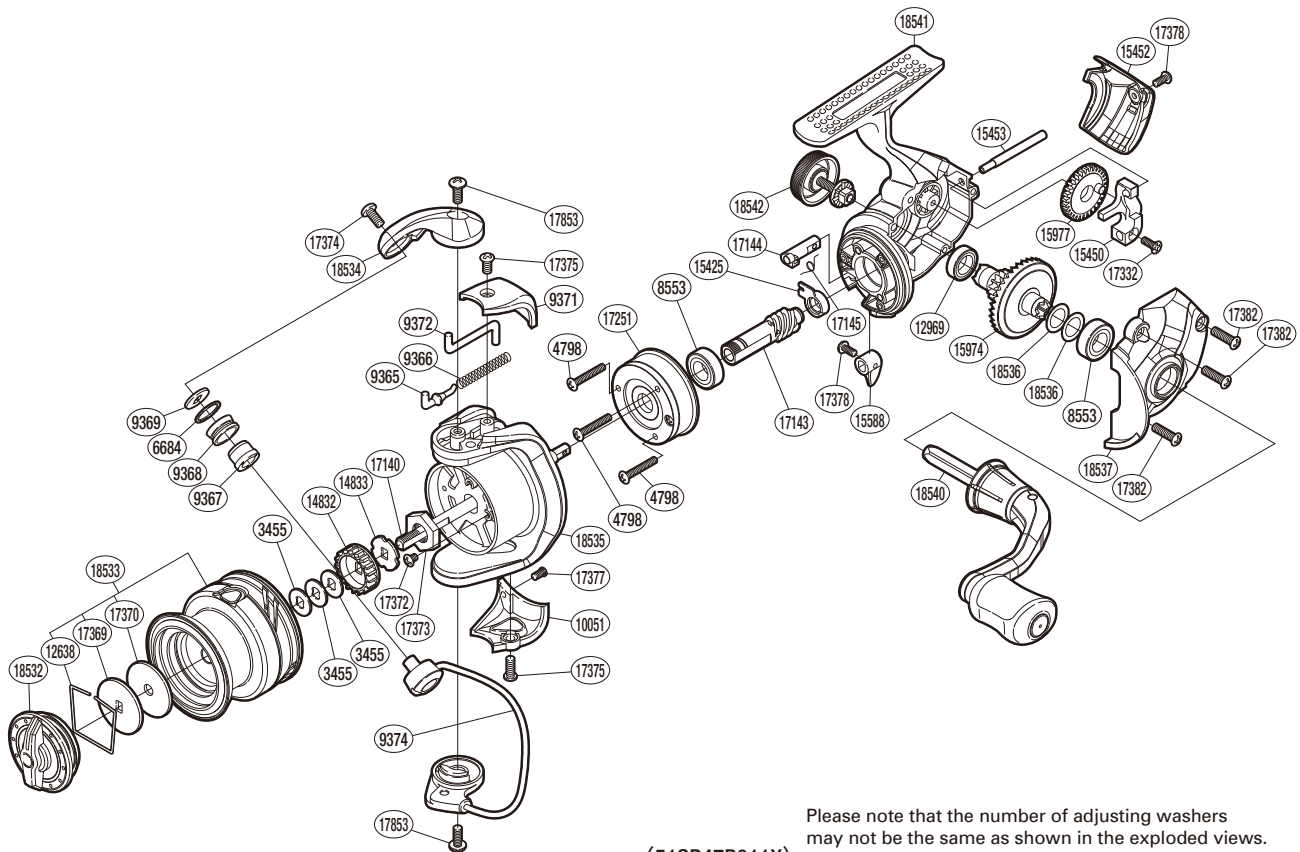


SHIMANO

NEXAVE

NEX-1000FE



Please note that the number of adjusting washers may not be the same as shown in the exploded views. (51SB47B011X) (Adjustment will vary with each individual product.)

Part No.	Description	Part No.	Description	Part No.	Description
RD 3455	Spool Washer	RD15425	Pinion Gear Bushing	RD17374	Screw
RD 4798	Screw	RD15450	Oscillating Slider	RD17375	Screw
RD 6684	Line Roller Spacer	RD15452	Rear Protector	RD17377	Screw
RD 8553	Ball Bearing	RD15453	Oscillating Guide	RD17378	Screw
RD 9365	Bail Spring Guide A	RD15588	Anti-Reverse Lever	RD17382	Screw
RD 9366	Bail Spring	RD15974	Drive Gear	RD17853	Screw
RD 9367	Line Roller Bushing	RD15977	Oscillating Gear	RD18532	Drag Knob Assembly
RD 9368	Line Roller	RD17140	Main Shaft	RD18533	Spool Assembly
RD 9369	Line Roller Washer	RD17143	Pinion Gear	RD18534	Bail Arm
RD 9371	Bail Spring Cover	RD17144	Anti-Reverse Cam	RD18535	Rotor Assembly
RD 9372	Bail Trip Lever	RD17145	Anti-Reverse Cam Spring	RD18536	Washer
RD 9374	Bail Assembly	RD17251	Roller Clutch Assembly	RD18537	Side Cover
RD10051	Bail Hold Support Guard	RD17332	Screw	RD18540	Handle Assembly
RD12638	Drag Washer Retainer	RD17369	Key Washer	RD18541	Body Assembly
RD12969	Ball Bearing	RD17370	Drag Washer	RD18542	Handle Screw Cap
RD14832	Spool Support A	RD17372	Screw		
RD14833	Spool Support B	RD17373	Rotor Nut		