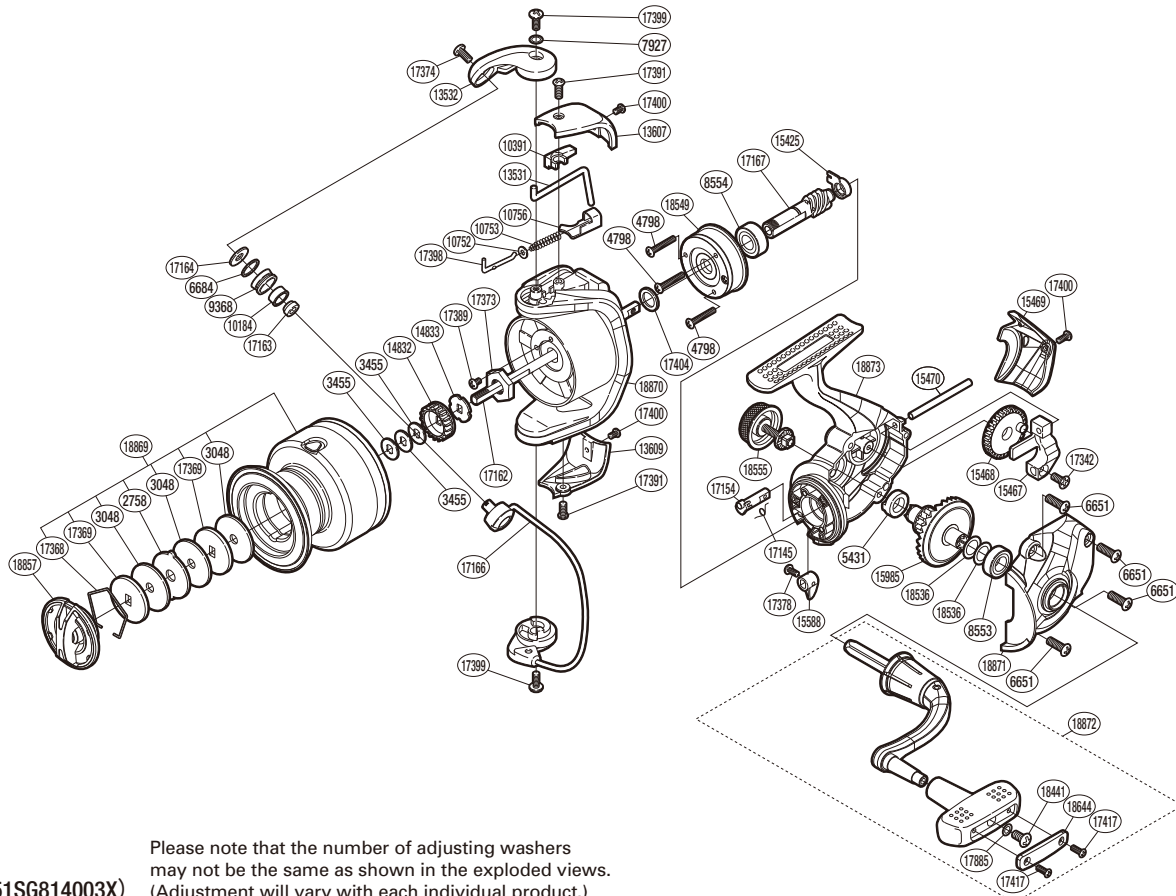


SHIMANO

CATANA

CAT4000FD



Please note that the number of adjusting washers may not be the same as shown in the exploded views. (51SG814003X) (Adjustment will vary with each individual product.)

Part No.	Description	Part No.	Description	Part No.	Description
RD 2758	Eared Washer	RD14833	Spool Support B	RD17389	Screw
RD 3048	Drag Washer	RD15425	Pinion Gear Bushing	RD17391	Screw
RD 3455	Spool Washer	RD15467	Oscillating Slider	RD17398	Bail Spring Guide A
RD 4798	Screw	RD15468	Oscillating Gear	RD17399	Screw
RD 5431	Drive Gear Bushing	RD15469	Rear Protector	RD17400	Screw
RD 6651	Screw	RD15470	Oscillating Guide	RD17404	Washer
RD 6684	Line Roller Spacer	RD15588	Anti-Reverse Lever	RD17417	Screw
RD 7927	Washer	RD15985	Drive Gear	RD17885	Washer
RD 8553	Ball Bearing	RD17145	Anti-Reverse Cam Spring	RD18441	Screw
RD 8554	Ball Bearing	RD17154	Anti-Reverse Cam	RD18536	Washer
RD 9368	Line Roller	RD17162	Main Shaft	RD18549	Roller Clutch Assembly
RD10184	Line Roller Bushing	RD17163	Line Roller Collar	RD18555	Handle Screw Cap
RD10391	Bail Trip Cover	RD17164	Washer	RD18644	Handle Knob I.D. Plate
RD10752	Bail Spring Guide A Support	RD17166	Bail Assembly	RD18857	Drag Knob
RD10753	Bail Spring	RD17167	Pinion Gear	RD18869	Spool Assembly
RD10756	Bail Spring Sheat	RD17342	Screw	RD18870	Rotor
RD13531	Bail Trip Lever	RD17368	Drag Washers Retainer	RD18871	Side Cover
RD13532	Bail Arm	RD17369	Key Washer	RD18872	Handle Assembly
RD13607	Bail Spring Cover	RD17373	Rotor Nut	RD18873	Body
RD13609	Bail Hold Support Guard	RD17374	Screw		
RD14832	Spool Support A	RD17378	Screw		