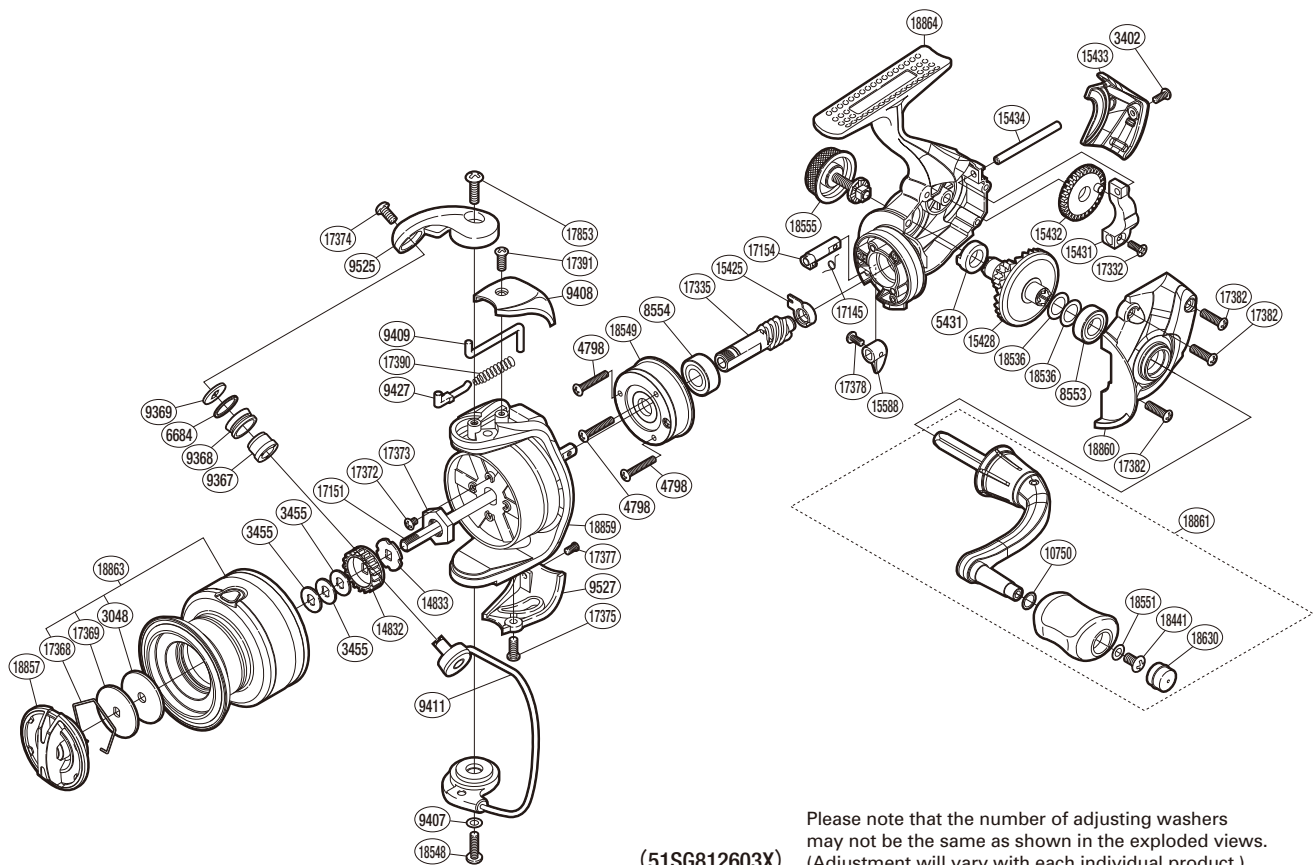


# SHIMANO

## CATANA

### CAT2500HGFD



Please note that the number of adjusting washers may not be the same as shown in the exploded views. (Adjustment will vary with each individual product.)

(51SG812603X)

| Part No. | Description             | Part No. | Description             | Part No. | Description            |
|----------|-------------------------|----------|-------------------------|----------|------------------------|
| RD 3048  | Drag Washer             | RD14833  | Spool Support B         | RD17378  | Screw                  |
| RD 3402  | Screw                   | RD15425  | Pinion Gear Bushing     | RD17382  | Screw                  |
| RD 3455  | Spool Washer            | RD15428  | Drive Gear              | RD17390  | Bail Spring            |
| RD 4798  | Screw                   | RD15431  | Oscillating Slider      | RD17391  | Screw                  |
| RD 5431  | Drive Gear Bushing      | RD15432  | Oscillating Gear        | RD17853  | Screw                  |
| RD 6684  | Line Roller Spacer      | RD15433  | Rear Protector          | RD18441  | Screw                  |
| RD 8553  | Ball Bearing            | RD15434  | Oscillating Guide       | RD18536  | Washer                 |
| RD 8554  | Ball Bearing            | RD15588  | Anti-reverse Lever      | RD18548  | Screw                  |
| RD 9367  | Line Roller Bushing     | RD17145  | Anti-reverse Cam Spring | RD18549  | Roller Clutch Assembly |
| RD 9368  | Line Roller             | RD17151  | Main Shaft              | RD18551  | Washer                 |
| RD 9369  | Washer                  | RD17154  | Anti-reverse Cam        | RD18555  | Handle Screw Cap       |
| RD 9407  | Washer                  | RD17332  | Screw                   | RD18630  | Handle Knob Seal       |
| RD 9408  | Bail Spring Cover       | RD17335  | Pinion Gear             | RD18857  | Drag Knob              |
| RD 9409  | Bail Trip Lever         | RD17368  | Drag Washers Retainer   | RD18859  | Rotor                  |
| RD 9411  | Bail Assembly           | RD17369  | Key Washer              | RD18860  | Side Cover             |
| RD 9427  | Bail Spring Guide       | RD17372  | Screw                   | RD18861  | Handle Assembly        |
| RD 9525  | Bail Arm                | RD17373  | Rotor Nut               | RD18863  | Spool Assembly         |
| RD 9527  | Bail Hold Support Guard | RD17374  | Screw                   | RD18864  | Body                   |
| RD10750  | Washer                  | RD17375  | Screw                   |          |                        |
| RD14832  | Spool Support A         | RD17377  | Screw                   |          |                        |