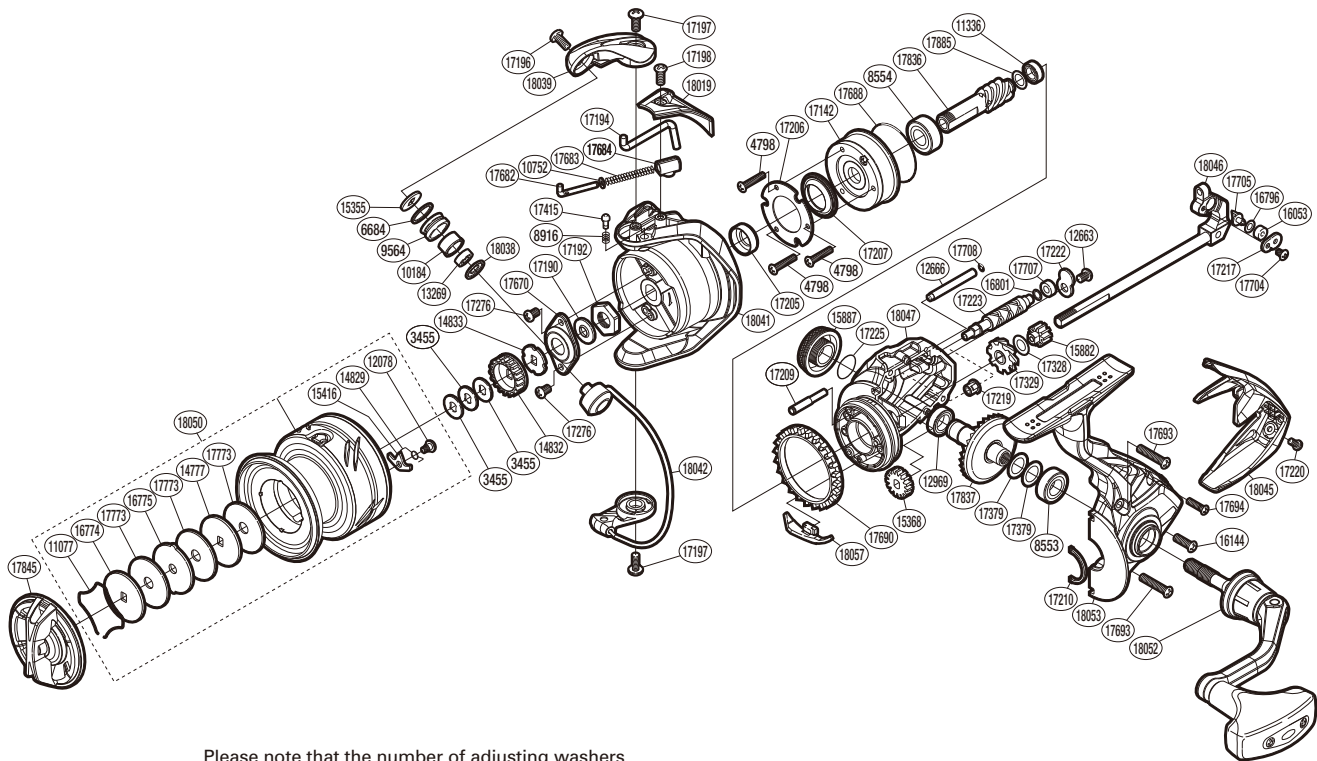


SHIMANO

ULTEGRA S A-RB

ULT-C3000HGFB



Please note that the number of adjusting washers may not be the same as shown in the exploded views.

(51SF03E032X) (Adjustment will vary with each individual product.)

| Part No. | Description | Part No. | Description | Part No. | Description |
|----------|-----------------------------|----------|---------------------------|----------|-------------------------|
| RD 3455 | Spool Washer | RD16796 | Spacer | RD17688 | O Ring |
| RD 4798 | Screw | RD16801 | Washer | RD17690 | Friction Ring |
| RD 6684 | Line Roller Spacer | RD17142 | Roller Clutch Assembly | RD17693 | Screw |
| RD 8553 | Ball Bearing | RD17190 | Bearing Water Proof | RD17694 | Screw |
| RD 8554 | Ball Bearing | RD17192 | Rotor Nut | RD17704 | Screw |
| RD 8916 | Click Spring | RD17194 | Bail Trip Lever | RD17705 | Oscillating Pawl |
| RD 9564 | Line Roller | RD17196 | Screw | RD17707 | Worm Bushing |
| RD10184 | Line Roller Bushing | RD17197 | Screw | RD17708 | O Ring |
| RD10752 | Bail Spring Guide A Support | RD17198 | Screw | RD17773 | Drag Washer |
| RD11077 | Drag Washers Retainer | RD17205 | Rotor Ring | RD17836 | Pinion Gear |
| RD11336 | Ball Bearing | RD17206 | Roller Clutch Reinforce | RD17837 | Drive Gear |
| RD12078 | Screw | RD17207 | Roller Clutch Water Proof | RD17845 | Drag Knob |
| RD12663 | Screw | RD17209 | Idle Gear B Shaft | RD17885 | Washer |
| RD12666 | Oscillating Guide A | RD17210 | Flange Water Proof | RD18019 | Bail Spring Cover |
| RD12969 | Ball Bearing | RD17217 | Oscillating Pawl Cover | RD18038 | Line Roller Support (B) |
| RD13269 | Ball Bearing | RD17219 | Worm Bushing (Front) | RD18039 | Bail Arm |
| RD14777 | Key Washer | RD17220 | Screw | RD18041 | Rotor |
| RD14829 | Drag Click Spring | RD17222 | Worm Shaft Retainer | RD18042 | Bail Assembly |
| RD14832 | Spool Support A | RD17223 | Worm Shaft | RD18045 | Rear Protector |
| RD14833 | Spool Support B | RD17225 | O Ring | RD18046 | Main Shaft Assembly |
| RD15355 | Line Roller Washer | RD17276 | Screw | RD18047 | Body |
| RD15368 | Idle Gear | RD17328 | Washer | RD18050 | Spool Assembly |
| RD15416 | Drag Click | RD17329 | Idle Gear B (Large) | RD18052 | Handle Assembly |
| RD15882 | Idle Gear B (Small) | RD17379 | Washer | RD18053 | Side Cover |
| RD15887 | Handle Screw Cap | RD17415 | Click Pin | RD18057 | Bail Trip Strike |
| RD16053 | Oscillating Slider Bushing | RD17670 | Rotor Nut Lock Plate | | |
| RD16144 | Screw | RD17682 | Bail Spring Guide A | | |
| RD16774 | Key Washer | RD17683 | Bail Spring | | |
| RD16775 | Eared Washer | RD17684 | Bail Spring Seat | RD18054 | Anti Line Slip Sticker |