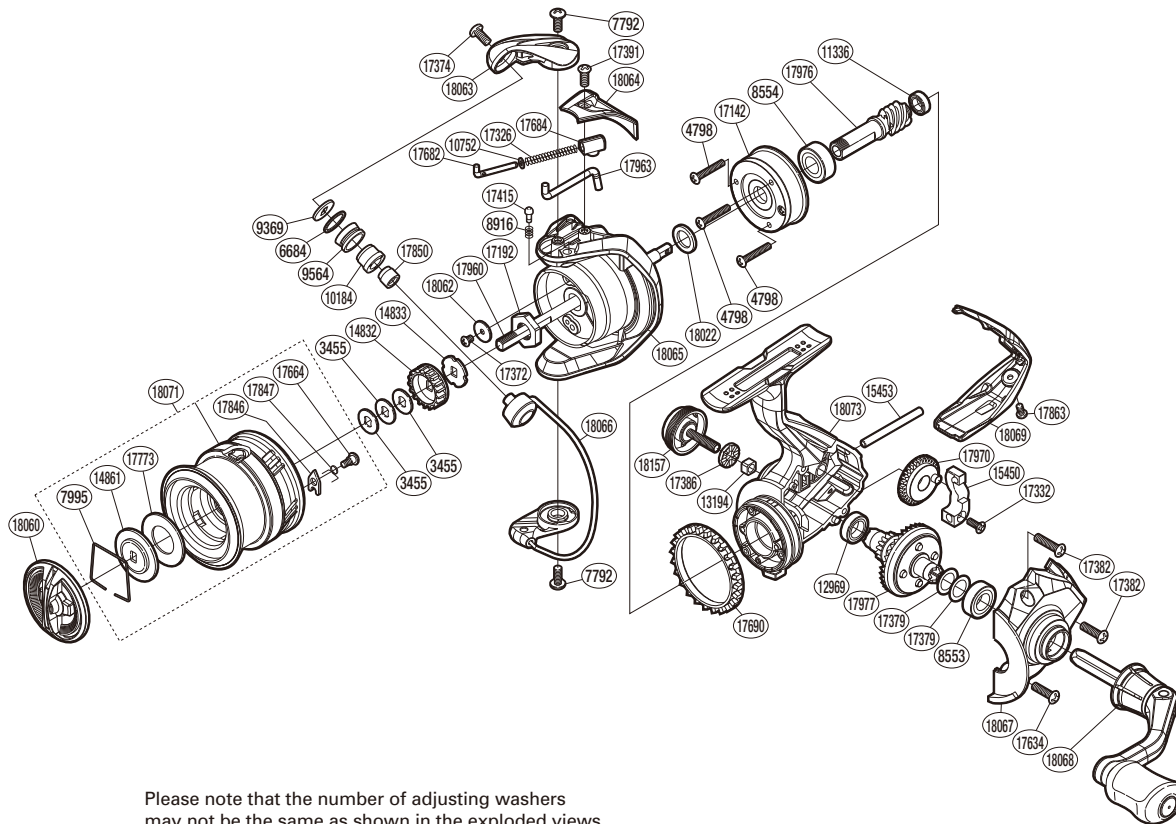


SHIMANO

SAHARA

SH-C2000HGSFI



Please note that the number of adjusting washers may not be the same as shown in the exploded views.
 (51SE642205X) (Adjustment will vary with each individual product.)

| Part No. | Description | Part No. | Description | Part No. | Description |
|----------|-----------------------------|----------|-------------------------|----------|-------------------|
| RD 3455 | Spool Washer | RD17142 | Roller Clutch Assembly | RD17863 | Screw |
| RD 4798 | Screw | RD17192 | Rotor Nut | RD17960 | Main Shaft |
| RD 6684 | Line Roller Spacer | RD17326 | Bail Spring | RD17963 | Bail Trip Lever |
| RD 7792 | Screw | RD17332 | Screw | RD17970 | Oscillating Gear |
| RD 7995 | Drag Washer Retainer | RD17372 | Screw | RD17976 | Pinion Gear |
| RD 8553 | Ball Bearing | RD17374 | Screw | RD17977 | Drive Gear |
| RD 8554 | Ball Bearing | RD17379 | Washer | RD18022 | Washer |
| RD 8916 | Click Spring | RD17382 | Screw | RD18060 | Drag Knob |
| RD 9369 | Line Roller Washer | RD17386 | Handle Screw Cap Spacer | RD18062 | Washer |
| RD 9564 | Line Roller | RD17391 | Screw | RD18063 | Bail Arm |
| RD10184 | Line Roller Bushing | RD17415 | Click Pin | RD18064 | Bail Spring Cover |
| RD10752 | Bail Spring Guide A Support | RD17634 | Screw | RD18065 | Rotor |
| RD11336 | Ball Bearing | RD17664 | Screw | RD18066 | Bail Assembly |
| RD12969 | Ball Bearing | RD17682 | Bail Spring Guide | RD18067 | Side Cover |
| RD13194 | Handle Screw Lock | RD17684 | Bail Spring Seat | RD18068 | Handle Assembly |
| RD14832 | Spool Support A | RD17690 | Friction Ring | RD18069 | Rear Protector |
| RD14833 | Spool Support B | RD17773 | Drag Washer | RD18071 | Spool Assembly |
| RD14861 | Key Washer | RD17846 | Drag Click | RD18073 | Body |
| RD15450 | Oscillating Slider | RD17847 | Drag Click Spring | RD18157 | Handle Screw Cap |
| RD15453 | Oscillating Guide | RD17850 | Line Roller Collar | | |