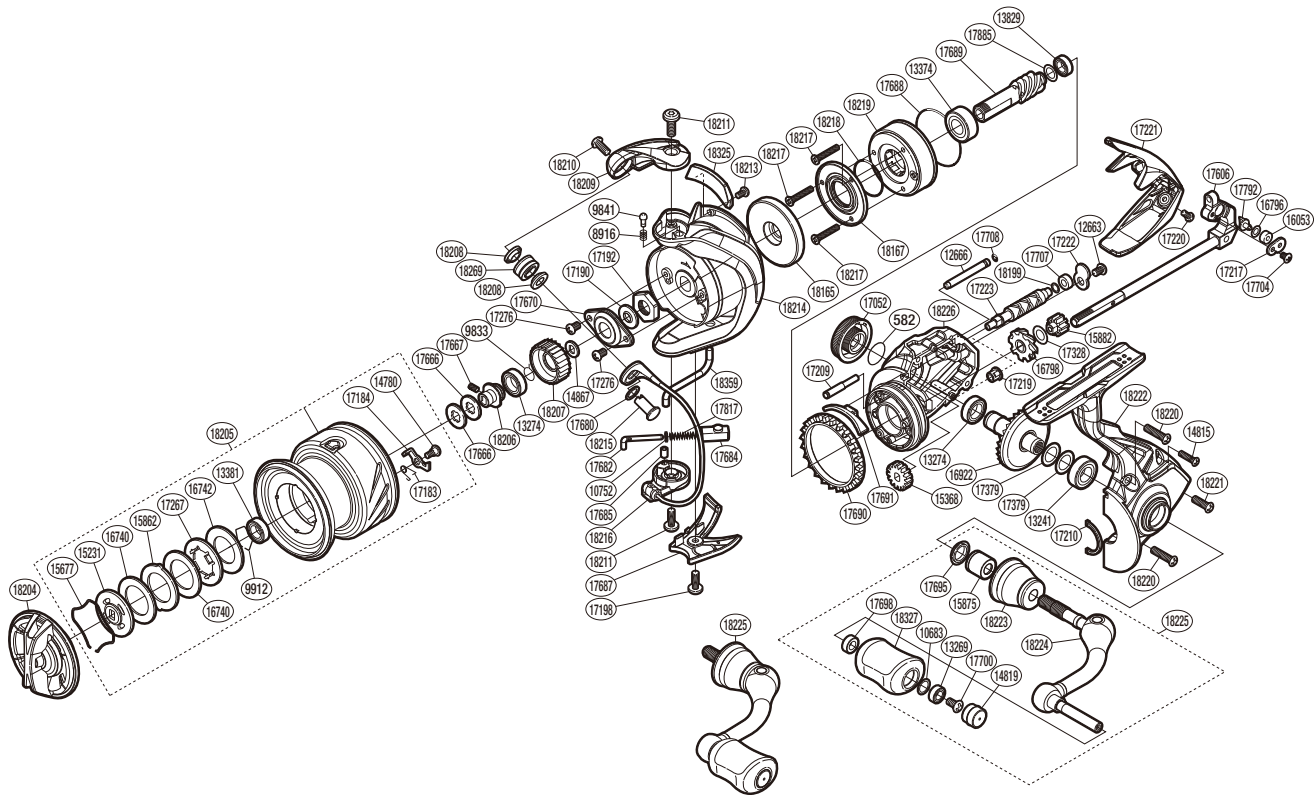


SHIMANO

SUSTAIN

SA-2500FI



S A-RB
(51SF12E025X)

Please note that the number of adjusting washers may not be the same as shown in the exploded views. (Adjustment will vary with each individual product.)

Part No.	Description	Part No.	Description	Part No.	Description
RD 0582	O Ring	RD17190	Bearing Water Proof	RD17792	Oscillating Pawl
RD 8916	Click Spring	RD17192	Rotor Nut	RD17817	Bail Spring
RD 9833	Ratchet Spring	RD17198	Screw	RD17885	Washer
RD 9841	Click Pin	RD17209	Idle Gear B Shaft	RD18165	Rotor Ring
RD 9912	Bearing Retainer	RD17210	Flange Water Proof	RD18167	Roller Clutch Reinforce
RD10683	Washer	RD17217	Oscillating Pawl Cover	RD18199	Washer
RD10752	Bail Spring Guide A Support	RD17219	Worm Bushing (Front)	RD18204	Drag Knob
RD12663	Screw	RD17220	Screw	RD18205	Spool Assembly
RD12666	Oscillating Guide A	RD17221	Rear Protector	RD18206	Spool Bushing
RD13241	Ball Bearing	RD17222	Worm Shaft Retainer	RD18207	Drag Click Ratchet
RD13269	Ball Bearing	RD17223	Worm Shaft	RD18208	Spacer
RD13274	Ball Bearing	RD17267	Key Washer	RD18209	Bail Arm
RD13374	Ball Bearing	RD17276	Screw	RD18210	Screw
RD13381	Ball Bearing	RD17328	Washer	RD18211	Screw
RD13829	Ball Bearing	RD17379	Washer	RD18213	Screw
RD14780	Screw	RD17606	Main Shaft Assembly	RD18214	Rotor
RD14815	Screw	RD17666	Spool Washer	RD18215	Line Roller Support
RD14819	Handle Knob Seal	RD17667	Set Screw	RD18216	Bail Assembly
RD14867	Spool Support	RD17670	Rotor Nut Lock Plate	RD18217	Screw
RD15231	Key Washer	RD17680	Washer	RD18218	Roller Clutch O Ring
RD15368	Idle Gear	RD17682	Bail Spring Guide A	RD18219	Roller Clutch Assembly
RD15677	Drag Washers Retainer	RD17684	Bail Spring Seat	RD18220	Screw
RD15862	Eared Washer	RD17685	Bail Spring Guide A Bush	RD18221	Screw
RD15875	Handle Shaft Cover B	RD17687	Bail Hold Support Guard	RD18222	Side Cover
RD15882	Idle Gear B (Small)	RD17688	O Ring	RD18223	Handle Shaft Cover
RD16053	Oscillating Slider Bushing	RD17689	Pinion Gear	RD18224	Handle Shank Assembly
RD16740	Drag Washer	RD17690	Friction Ring	RD18225	Handle Assembly
RD16742	Drag Washer	RD17691	Bail Trip Strike	RD18226	Body
RD16796	Spacer	RD17695	Handle Shaft Seal	RD18269	Line Roller (With Bearing)
RD16798	Idle Gear B (Large)	RD17698	Handle Knob Bushing	RD18325	Counterweight Assembly
RD16922	Drive Gear	RD17700	Screw	RD18327	Handle Knob Assembly
RD17052	Handle Screw Cap	RD17704	Screw	RD18359	Bail Trip Lever
RD17183	Drag Click Spring	RD17707	Worm Bushing		
RD17184	Drag Click	RD17708	O Ring		