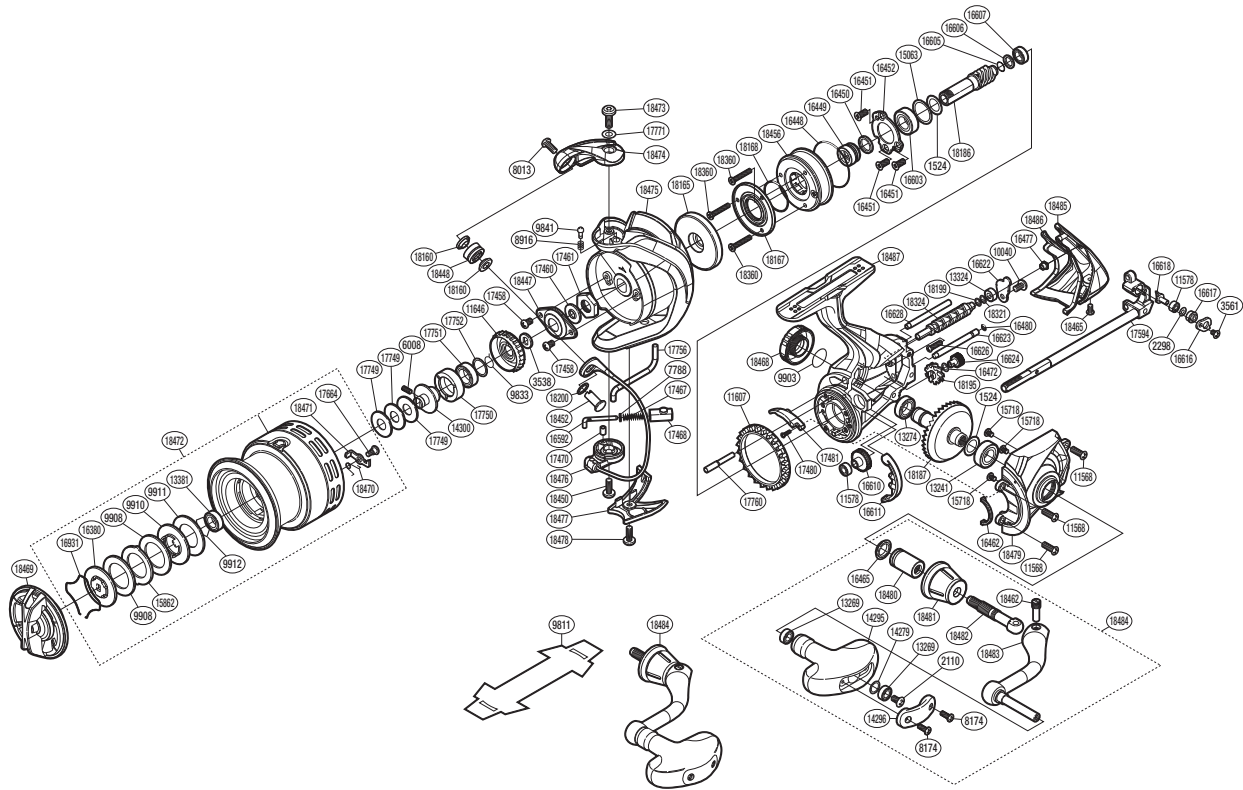


# SHIMANO

EXSENCE SA-RB

EXS-4000MXG



Please note that the number of adjusting washers may not be the same as shown in the exploded views.  
(51SF11H043X) (Adjustment will vary with each individual product.)

Part No.	Description	Part No.	Description	Part No.	Description
RD 1524	Washer	RD16462	Flange Water Proof	RD18167	Roller Clutch Reinforce
RD 2110	Screw	RD16465	Handle Shaft Seal	RD18168	O Ring
RD 2298	Spacer	RD16472	Washer	RD18186	Pinion Gear
RD 3538	Spool Support	RD16477	Rear Protector Collar	RD18187	Drive Gear Assembly
RD 3561	Screw	RD16480	O Ring	RD18195	Idle Gear B L
RD 6008	Set Screw	RD16592	Bail Spring Guide A	RD18199	Washer
RD 7788	Spring Guide A Support	RD16603	Ball Bearing	RD18200	Washer
RD 8013	Screw	RD16605	O Ring	RD18321	Washer
RD 8174	Screw	RD16606	Pinion Gear Spacer	RD18324	Worm Shaft
RD 8916	Click Spring	RD16607	Ball Bearing	RD18360	Screw
RD 9833	Ratchet Spring	RD16610	Idle Gear	RD18469	Drag Knob Assembly
RD 9841	Click Pin	RD16611	Friction Ring Spacer	RD18447	Nut Lock Plate
RD 9903	O Ring	RD16616	Oscillating Pawl Cover	RD18448	Line Roller Set (With Bearing)
RD 9908	Drag Washer	RD16617	Oscillating Slider Bushing	RD18450	Screw
RD 9910	Key Washer	RD16618	Oscillating Pawl	RD18452	Line Roller Support
RD 9911	Drag Washer	RD16622	Worm Shaft Retainer	RD18456	Roller Clutch Assembly
RD 9912	Bearing Retainer	RD16623	Oscillating Guide B	RD18462	Screw
RD10040	Screw	RD16624	Idle Gear B S	RD18465	Screw
RD11568	Screw	RD16626	Screw	RD18468	Handle Screw Cap
RD11578	Ball Bearing	RD16628	Oscillating Guide	RD18470	Drag Click Spring
RD11607	Friction Ring	RD16931	Drag Washers Retainer	RD18471	Drag Click
RD11646	Drag Click Ratchet	RD17458	Screw	RD18472	Spool Assembly
RD13241	Ball Bearing	RD17460	Bearing Water Proof	RD18473	Screw
RD13269	Ball Bearing	RD17461	Rotor Nut	RD18474	Bail Arm
RD13274	Ball Bearing	RD17467	Bail Spring	RD18475	Rotor Assembly
RD13324	Worm Bushing	RD17468	Bail Spring Seat	RD18476	Bail Assembly
RD13381	Ball Bearing	RD17470	Bail Spring Guide A Bush	RD18477	Bail Hold Support Guard
RD14279	Washer	RD17480	Screw	RD18478	Screw
RD14295	Handle Knob	RD17481	Bail Trip Strike	RD18479	Side Cover Assembly
RD14296	Handle Knob I.D. Plate	RD17594	Main Shaft Assembly	RD18480	Handle Shaft Cover B
RD14300	Bearing Bushing	RD17664	Screw	RD18481	Handle Shaft Cover A
RD15063	Spacer	RD17749	Spool Washer	RD18482	Handle Shaft
RD15718	Screw	RD17750	Bearing Housing	RD18483	Handle Shank Assembly
RD15862	Eared Washer	RD17751	Ball Bearing	RD18484	Handle Assembly
RD16380	Key Washer	RD17752	Washer	RD18485	Rear Protector
RD16448	O Ring	RD17756	Bail Trip Lever	RD18486	Rear Shield
RD16449	Roller Clutch Inner	RD17760	Idle Gear B Shaft	RD18487	Body Assembly
RD16450	Roller Clutch Inner Spacer	RD17771	Washer		
RD16451	Screw	RD18160	Bearing Spacer		
RD16452	Bearing Retainer	RD18165	Rotor Ring		
				RD 9811	Reel Seat Spacer (accessory)