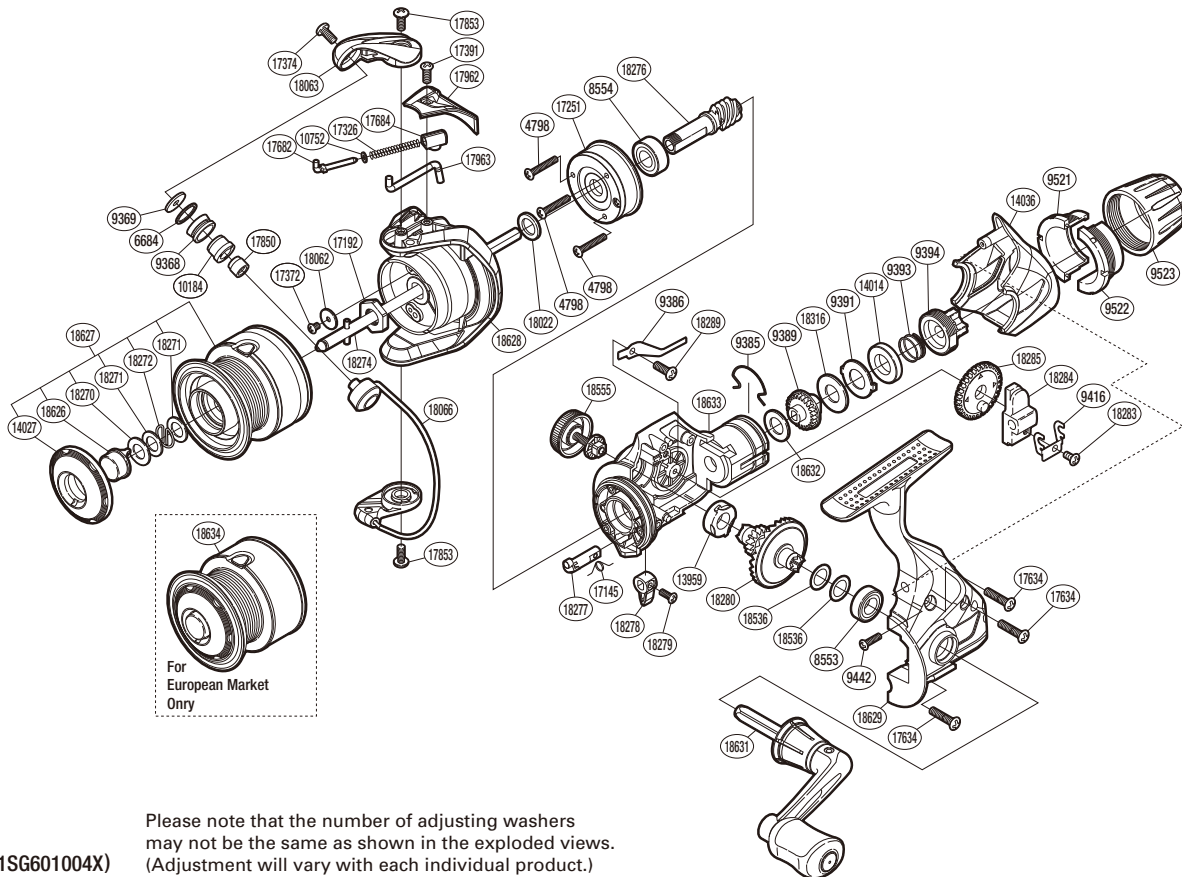


SHIMANO

CATANA S A-RB

CAT-1000RC



Please note that the number of adjusting washers may not be the same as shown in the exploded views. (Adjustment will vary with each individual product.)

(51SG601004X)

Part No.	Description	Part No.	Description	Part No.	Description
RD 4798	Screw	RD14036	Rear Protector	RD18274	Main Shaft
RD 6684	Line Roller Spacer	RD17145	Anti-Reverse Cam Spring	RD18276	Pinion Gear
RD 8553	Ball Bearing	RD17192	Rotor Nut	RD18277	Anti-Reverse Cam
RD 8554	Ball Bearing	RD17251	Roller Clutch Assembly	RD18278	Anti-Reverse Lever
RD 9368	Line Roller	RD17326	Bail Spring	RD18279	Screw
RD 9369	Washer	RD17372	Screw	RD18280	Drive Gear
RD 9385	Hold Click Spring	RD17374	Screw	RD18283	Screw
RD 9386	Drag Click	RD17391	Screw	RD18284	Oscillating Slider
RD 9389	Drag Shaft	RD17634	Screw	RD18285	Oscillating Gear
RD 9391	Eared Washer	RD17682	Bail Spring Guide A	RD18289	Screw
RD 9393	Drag Coil Spring	RD17684	Bail Spring Seat	RD18316	Drag Washer
RD 9394	Pressure Screw	RD17850	Line Roller Collar	RD18536	Washer
RD 9416	Oscillating Slider Retainer	RD17853	Screw	RD18555	Handle Screw Cap
RD 9442	Screw	RD17962	Bail Spring Cover	RD18626	Push Button
RD 9521	Drag Programmer B1	RD17963	Bail Trip Lever	RD18627	Spool Assembly
RD 9522	Drag Programmer B2	RD18022	Washer	RD18628	Rotor
RD 9523	Drag Programmer A	RD18062	Washer	RD18629	Side Cover
RD10184	Line Roller Bushing	RD18063	Bail Arm	RD18631	Handle Assembly
RD10752	Bail Spring Guide A Support	RD18066	Bail Assembly	RD18632	Drag Washer
RD13959	Drive Gear Bushing	RD18270	Washer	RD18633	Body
RD14014	Drag Collar	RD18271	Washer		
RD14027	Push Button Collar	RD18272	Locking Spring	RD18634	Spare Spool Assembly