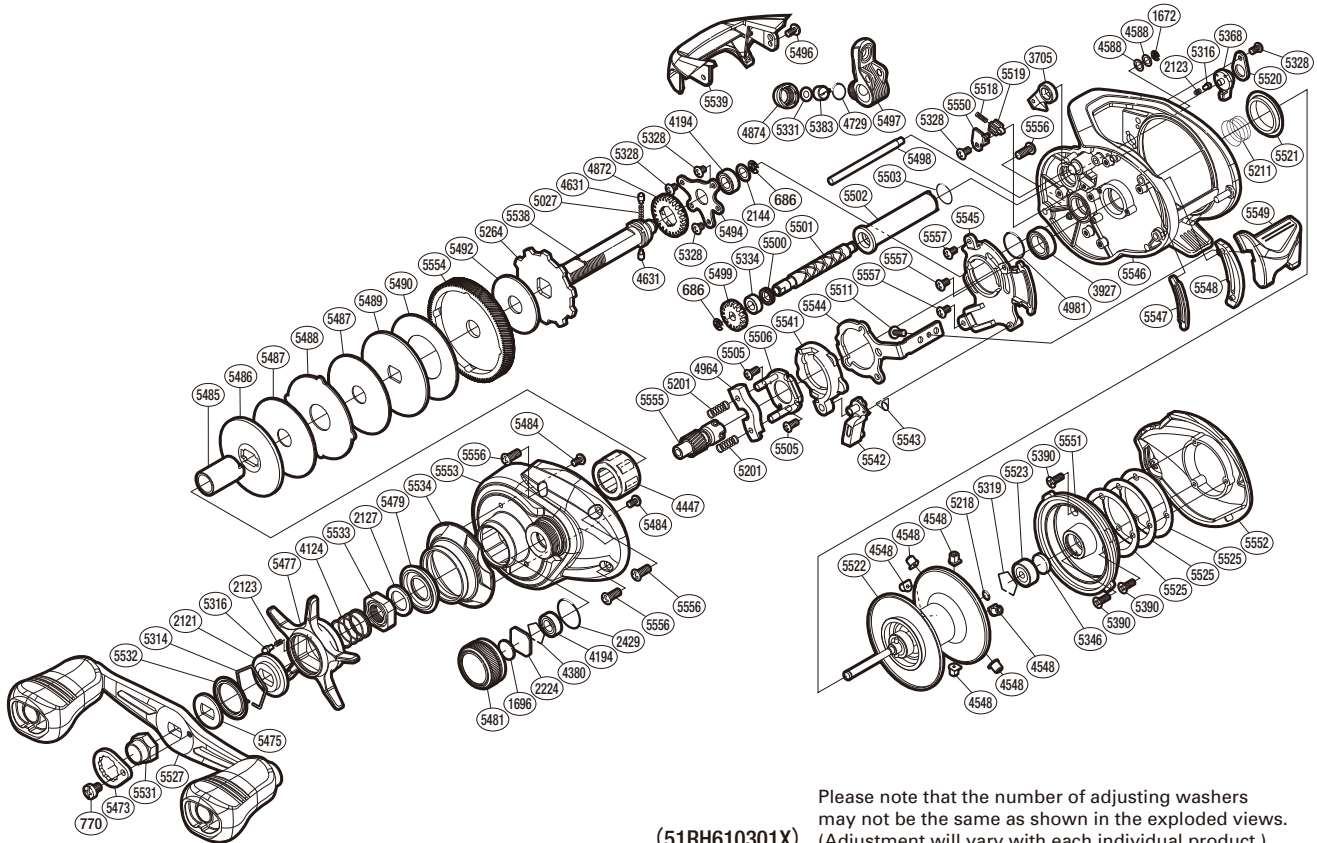


SHIMANO

TRANX SA-RB

TRX-301A



Please note that the number of adjusting washers may not be the same as shown in the exploded views. (Adjustment will vary with each individual product.)

(51RH610301X)

Part No.	Description	Part No.	Description	Part No.	Description
BNT0686	E Lock	BNT5331	Spacer	BNT5519	Clutch Retention Pin
BNT0770	Screw	BNT5334	Bushing	BNT5520	Cam Lever Retainer
BNT1672	E Lock	BNT5346	Spacer B	BNT5521	Frame Center Seal
BNT1696	Cast Control Spacer (B)	BNT5368	B Side Plate Cam Lever	BNT5522	Spool Assembly
BNT2121	Star Drag Click Plate	BNT5383	Line Guide Pawl	BNT5523	Ball Bearing
BNT2123	Click Spring	BNT5390	Screw	BNT5525	Washer
BNT2127	Star Drag Spacer	BNT5473	Handle Nut Plate	BNT5531	Handle Nut
BNT2144	Drive Shaft Washer	BNT5474	Handle Assembly	BNT5532	Star Drag Seal
BNT2224	Spool Tension Spacer (A)	BNT5475	Drive Shaft Shield	BNT5533	Star Drag Nut
BNT2429	O Ring	BNT5477	Star Drag	BNT5534	Clutch Button Attachment
BNT3705	Anti-Reverse Pawl	BNT5479	Roller Clutch Water Proof	BNT5535	Left Side Plate
BNT3927	Ball Bearing	BNT5481	Cast Control Cap	BNT5537	Drive Gear
BNT4124	Star Drag Spring	BNT5484	Screw	BNT5538	Drive Shaft
BNT4194	Ball Bearing	BNT5485	Roller Clutch Inner Tube	BNT5539	Level Wind Protector
BNT4380	Retainer	BNT5486	Key Washer	BNT5540	Pinion Gear
BNT4447	Roller Clutch Bearing	BNT5487	Drag Washer	BNT5541	Clutch Cam
BNT4548	Brake Collar	BNT5488	Eared Washer	BNT5542	Clutch Pawl
BNT4588	Washer	BNT5489	Key Washer	BNT5543	Clutch Pawl Spring
BNT4631	Idle Gear Pin	BNT5490	Drag Washer	BNT5544	Clutch Plate
BNT4729	O Ring	BNT5492	Drag Washer	BNT5545	Clutch Guard
BNT4872	Idle Gear	BNT5494	Drive Shaft Retainer	BNT5546	Frame
BNT4874	Pawl Cap	BNT5496	Screw	BNT5547	Clutch Bar Support
BNT4964	Yoke	BNT5497	Line Guide	BNT5548	Clutch Bar Guide
BNT4981	O Ring	BNT5498	Stabilizer Bar	BNT5549	Clutch Lever
BNT5027	Idle Gear Spring	BNT5499	Idle Gear	BNT5550	Retention Spring Retainer
BNT5201	Yoke Spring	BNT5500	Worm Shaft Seal	BNT5551	Dial Case
BNT5211	Bearing Pressure Spring	BNT5501	Worm Shaft	BNT5552	Right Side Plate
BNT5218	O Ring	BNT5502	Level Wind Guard	BNT5556	Screw
BNT5264	Anti-Reverse Ratchet	BNT5503	O Ring	BNT5557	Screw
BNT5314	Click Plate Retainer	BNT5505	Screw		
BNT5316	Click Pin	BNT5506	Clutch Cam Retainer		
BNT5319	Bearing Retainer	BNT5511	Screw		
BNT5328	Screw	BNT5518	Clutch Retention Spring	BNT4692	B-100 Oil (accessory)