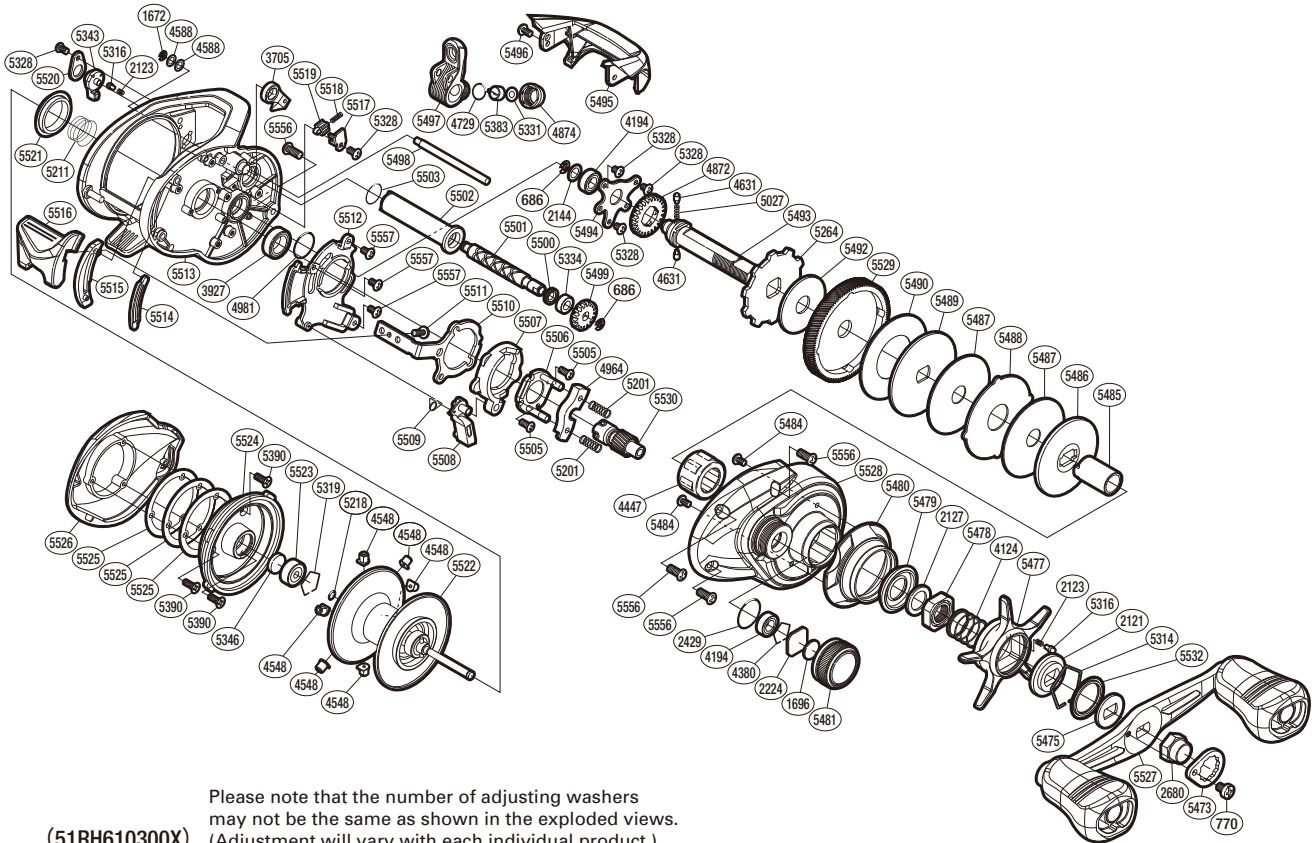


SHIMANO

TRANX SA-RB

TRX-300A



Please note that the number of adjusting washers may not be the same as shown in the exploded views. (51RH610300X) (Adjustment will vary with each individual product.)

Part No.	Description	Part No.	Description	Part No.	Description
BNT0686	E Lock	BNT5328	Screw	BNT5505	Screw
BNT0770	Screw	BNT5331	Spacer	BNT5506	Clutch Cam Retainer
BNT1672	E Lock	BNT5334	Bushing	BNT5507	Clutch Cam
BNT1696	Cast Control Spacer (B)	BNT5343	Side Plate Cam Lever	BNT5508	Clutch Pawl
BNT2121	Star Drag Click Plate	BNT5346	Spacer B	BNT5509	Clutch Pawl Spring
BNT2123	Click Spring	BNT5383	Line Guide Pawl	BNT5510	Clutch Plate
BNT2127	Star Drag Spacer	BNT5390	Screw	BNT5511	Screw
BNT2144	Drive Shaft Washer	BNT5473	Handle Nut Plate	BNT5512	Clutch Guard
BNT2224	Spool Tension Spacer (A)	BNT5475	Drive Shaft Shield	BNT5513	Frame
BNT2429	O Ring	BNT5477	Star Drag	BNT5514	Clutch Button Seal
BNT2680	Handle Nut	BNT5478	Star Drag Nut	BNT5515	Clutch Bar Guide
BNT3705	Anti-Reverse Pawl	BNT5479	Roller Clutch Water Proof	BNT5516	Clutch Lever
BNT3927	Ball Bearing	BNT5480	Clutch Button Attachment	BNT5517	Retention Spring Retainer
BNT4124	Star Drag Spring	BNT5481	Cast Control Cap	BNT5518	Clutch Retention Spring
BNT4194	Ball Bearing	BNT5484	Screw	BNT5519	Clutch Retention Pin
BNT4380	Retainer	BNT5485	Roller Clutch Inner Tube	BNT5520	Cam Lever Retainer
BNT4447	Roller Clutch Bearing	BNT5486	Key Washer	BNT5521	Frame Center Seal
BNT4548	Brake Collar	BNT5487	Drag Washer	BNT5522	Spool Assembly
BNT4588	Washer	BNT5488	Eared Washer	BNT5523	Ball Bearing
BNT4631	Idle Gear Pin	BNT5489	Key Washer	BNT5524	Dial Case
BNT4729	O Ring	BNT5490	Drag Washer	BNT5525	Washer
BNT4872	Idle Gear	BNT5492	Drag Washer	BNT5526	Left Side Plate
BNT4874	Pawl Cap	BNT5493	Drive Shaft	BNT5527	Handle Assembly
BNT4964	Yoke	BNT5494	Drive Shaft Retainer	BNT5528	Right Side Plate
BNT4981	O Ring	BNT5495	Level Wind Protector	BNT5529	Drive Gear
BNT5027	Idle Gear Spring	BNT5496	Screw	BNT5530	Pinion Gear
BNT5201	Yoke Spring	BNT5497	Line Guide	BNT5532	Star Drag Seal
BNT5211	Bearing Pressure Spring	BNT5498	Stabilizer Bar	BNT5556	Screw
BNT5218	O Ring	BNT5499	Idle Gear	BNT5557	Screw
BNT5264	Anti-Reverse Ratchet	BNT5500	Worm Shaft Seal		
BNT5314	Click Plate Retainer	BNT5501	Worm Shaft		
BNT5316	Click Pin	BNT5502	Level Wind Guard		
BNT5319	Bearing Retainer	BNT5503	O Ring	BNT4692	B-100 Oil (accessory)