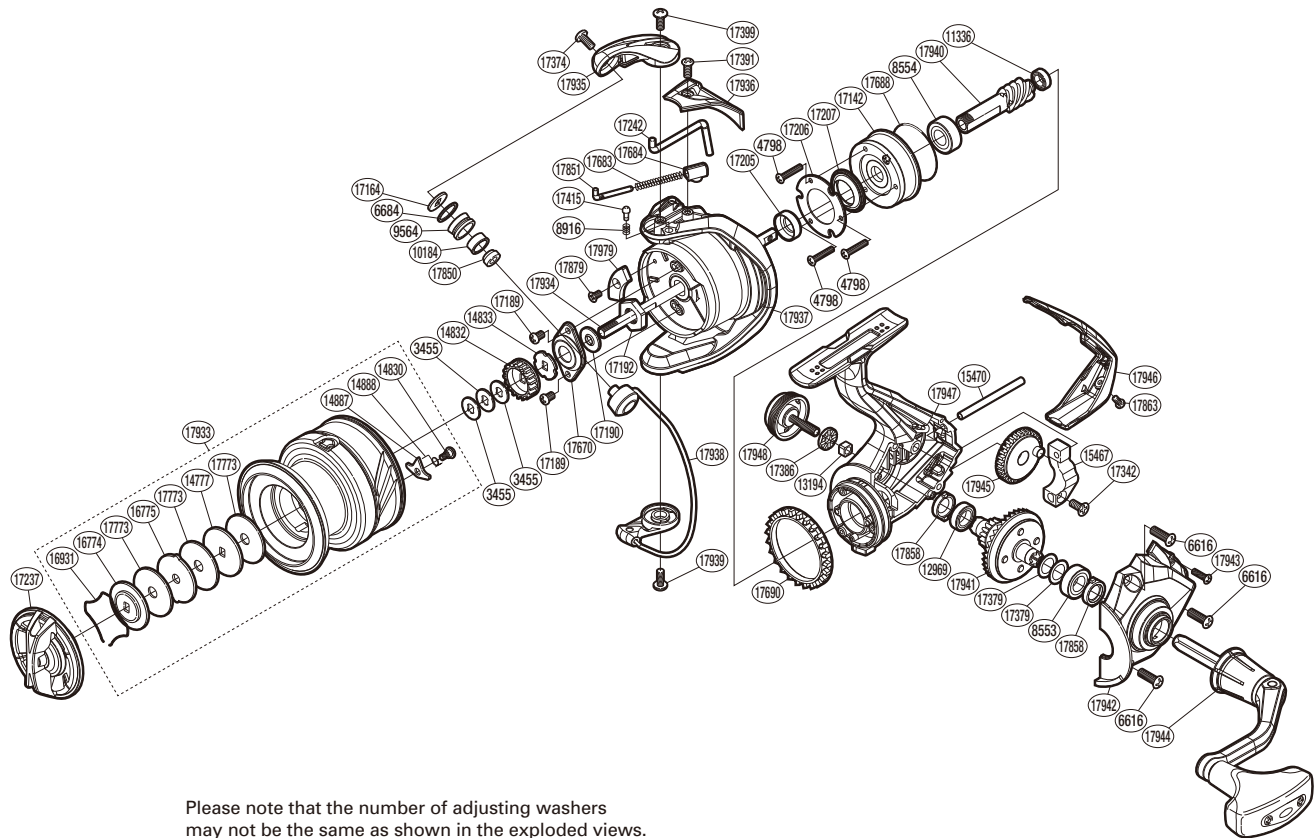


SHIMANO

NASCI

NAS-4000FB



Please note that the number of adjusting washers may not be the same as shown in the exploded views.
(51SD414000X) (Adjustment will vary with each individual product.)

Part No.	Description	Part No.	Description	Part No.	Description
RD 3455	Spool Washer	RD17142	Roller Clutch Assembly	RD17850	Line Roller Collar
RD 4798	Screw	RD17164	Line Roller Washer	RD17851	Bail Spring Guide
RD 6616	Screw	RD17189	Screw	RD17858	Bearing Water Proof
RD 6684	Line Roller Spacer	RD17190	Bearing Water Proof	RD17863	Screw
RD 8553	Ball Bearing	RD17192	Rotor Nut	RD17879	Screw
RD 8554	Ball Bearing	RD17205	Rotor Ring	RD17933	Spool Assembly
RD 8916	Click Spring	RD17206	Roller Clutch Reinforce	RD17934	Main Shaft
RD 9564	Line Roller	RD17207	Roller Clutch Water Proof	RD17935	Bail Arm
RD10184	Line Roller Bushing	RD17237	Drag Knob	RD17936	Bail Spring Cover
RD11336	Ball Bearing	RD17242	Bail Trip Lever	RD17937	Rotor
RD12969	Ball Bearing	RD17342	Screw	RD17938	Bail Assembly
RD13194	Handle Screw Lock	RD17374	Screw	RD17939	Screw
RD14777	Key Washer	RD17379	Washer	RD17940	Pinion Gear
RD14830	Screw	RD17386	Handle Screw Cap Spacer	RD17941	Drive Gear
RD14832	Spool Support A	RD17391	Screw	RD17942	Side Cover
RD14833	Spool Support B	RD17399	Screw	RD17943	Screw
RD14887	Drag Click	RD17415	Click Pin	RD17944	Handle Assembly
RD14888	Click Spring	RD17670	Rotor Nut Lock Plate	RD17945	Oscillating Gear
RD15467	Oscillating Slider	RD17683	Bail Spring	RD17946	Rear Protector
RD15470	Oscillating Guide	RD17684	Bail Spring Seat	RD17947	Body
RD16774	Key Washer	RD17688	O Ring	RD17948	Handle Screw Cap
RD16775	Eared Washer	RD17690	Friction Ring	RD17979	Counter Weight A
RD16931	Drag Washers Retainer	RD17773	Drag Washer		