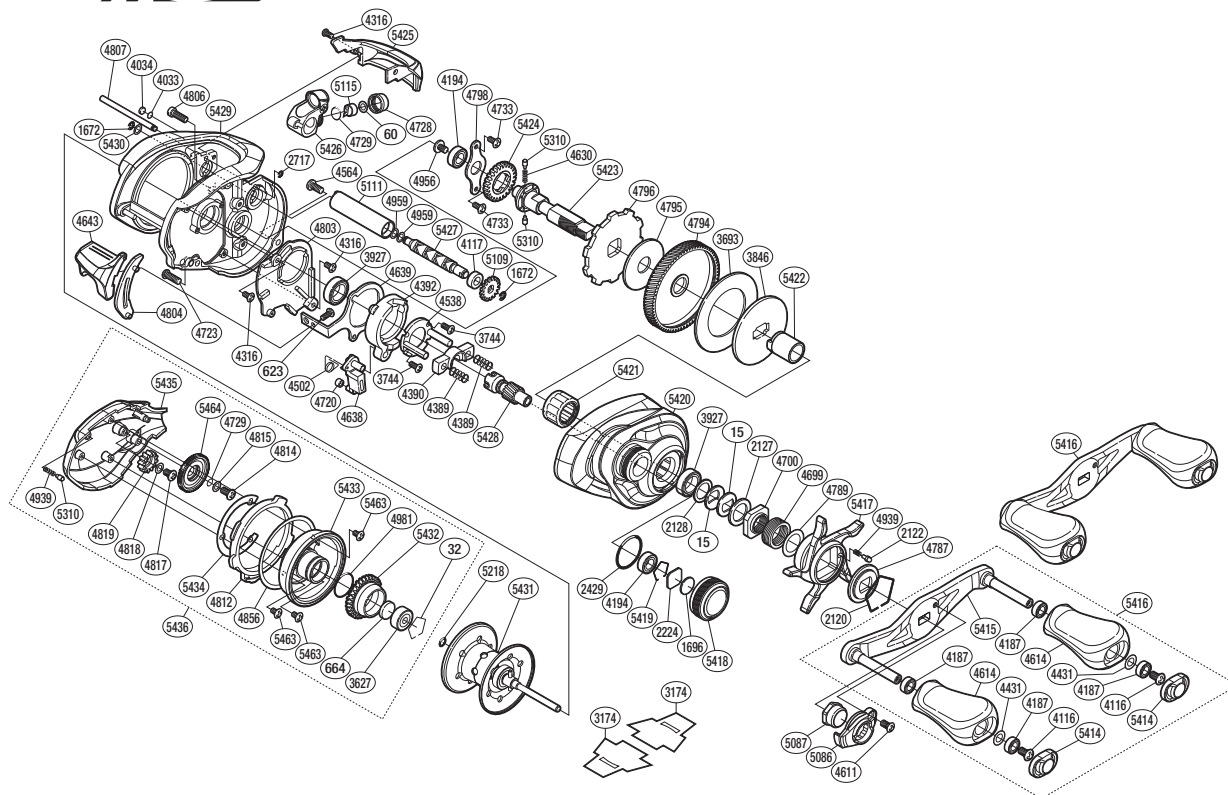


SHIMANO

Metanium
MGL

SA-RB

META MGL-R



Please note that the number of adjusting washers may not be the same as shown in the exploded views. (Adjustment will vary with each individual product.)

(51RH960150X)

Part No.	Description	Part No.	Description	Part No.	Description
BNT0015	Drag Spring Washer	BNT4614	Handle Knob	BNT5087	Handle Nut
BNT0032	Bearing Retainer	BNT4630	Idle Gear Spring	BNT5109	Idle Gear
BNT0060	Spacer	BNT4638	Clutch Pawl	BNT5111	Level Wind Guard
BNT0623	Screw	BNT4639	Clutch Plate	BNT5115	Line Guide Pawl
BNT0664	Spacer B	BNT4643	Quick-Fire li Clutch Bar	BNT5218	O Ring
BNT1672	E Lock	BNT4699	Star Drag Spring	BNT5310	Idle Gear Pin
BNT1696	Cast Control Spacer	BNT4700	Star Drag Nut	BNT5414	Handle Knob Seal
BNT2120	Click Plate Retainer	BNT4720	Clutch Pawl Bushing	BNT5415	Handle Shank Assembly
BNT2122	Click Pin	BNT4723	Screw	BNT5416	Handle Assembly
BNT2127	Star Drag Spacer	BNT4728	Pawl Cap	BNT5417	Star Drag
BNT2128	Bearing Washer	BNT4729	O Ring	BNT5418	Cast Control Cap
BNT2224	Spool Tension Spacer	BNT4733	Screw	BNT5419	Bearing Retainer
BNT2429	O Ring	BNT4787	Star Drag Click Plate	BNT5420	Right Side Plate
BNT2717	E Lock	BNT4789	Washer	BNT5421	Roller Clutch Bearing
BNT3627	Ball Bearing	BNT4794	Drive Gear	BNT5422	Roller Clutch Inner Tube
BNT3693	Drag Washer	BNT4795	Drag Washer	BNT5423	Drive Shaft
BNT3744	Screw	BNT4796	Anti-Reverse Ratchet	BNT5424	Idle Gear
BNT3846	Key Washer	BNT4798	Drive Shaft Retainer	BNT5425	Level Wind Protector
BNT3927	Ball Bearing	BNT4803	Clutch Guard	BNT5426	Line Guide
BNT4033	Washer	BNT4804	Clutch Bar Guide	BNT5427	Worm Shaft
BNT4034	Anti-Thrust Washer	BNT4806	Screw	BNT5428	Pinion Gear
BNT4116	Screw	BNT4807	Level Wind Guide	BNT5429	Frame
BNT4117	Bushing	BNT4812	Side Plate Cam Lever	BNT5430	Washer
BNT4187	Ball Bearing	BNT4814	Screw	BNT5431	Spool Assembly(With Bearing)
BNT4194	Ball Bearing	BNT4815	Washer	BNT5432	Brake Pipe Gear
BNT4316	Screw	BNT4817	Screw	BNT5433	Brake Case
BNT4389	Yoke Spring	BNT4818	Washer	BNT5434	Washer
BNT4390	Yoke	BNT4819	Idle Gear	BNT5435	Left Side Plate
BNT4392	Clutch Cam	BNT4856	Washer	BNT5436	Left Side Plate Assembly
BNT4431	Washer	BNT4939	Click Spring	BNT5463	Screw
BNT4502	Clutch Pawl Spring	BNT4956	Screw	BNT5464	Br Dial
BNT4538	Clutch Cam Retainer	BNT4959	Washer		
BNT4564	Screw	BNT4981	O Ring	BNT3174	Reel Seat Spacer (accessory)
BNT4611	Screw	BNT5086	Handle Retainer	BNT4692	B-100 Oil (accessory)