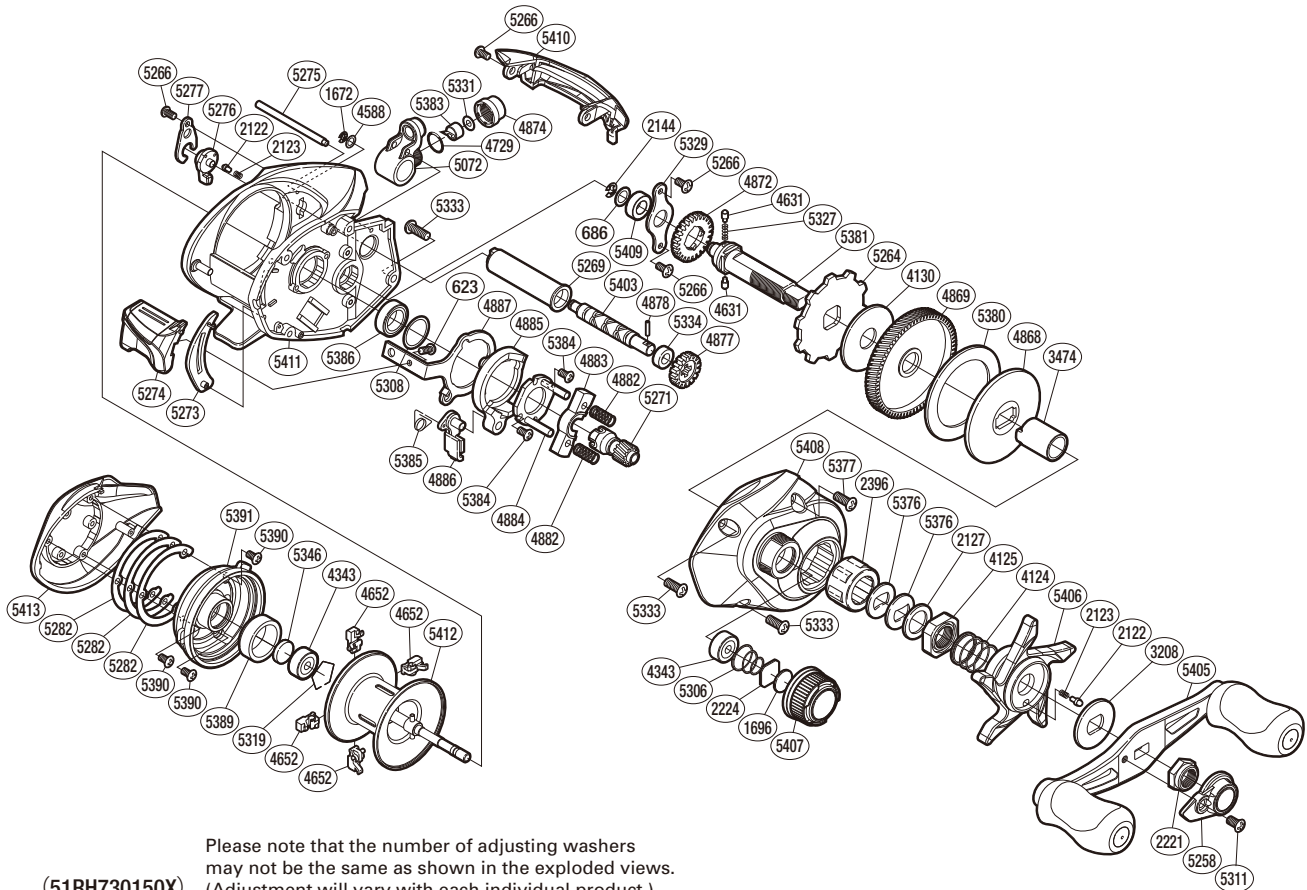


SHIMANO

CAIUS S A-RB

CIS-150A



Please note that the number of adjusting washers may not be the same as shown in the exploded views. (51RH730150X) (Adjustment will vary with each individual product.)

Part No.	Description	Part No.	Description	Part No.	Description
BNT0623	Screw	BNT4877	Idle Gear	BNT5333	Screw
BNT0686	E Lock	BNT4878	Worm Shaft Pin	BNT5334	Bushing
BNT1672	E Lock	BNT4882	Yoke Spring	BNT5346	Spacer B
BNT1696	Cast Control Spacer (B)	BNT4883	Yoke	BNT5376	Drag Spring Washer
BNT2122	Click Pin	BNT4884	Clutch Cam Retainer	BNT5377	Screw
BNT2123	Click Spring	BNT4885	Clutch Cam	BNT5380	Drag Washer
BNT2127	Star Drag Spacer	BNT4886	Clutch Pawl	BNT5381	Drive Shaft
BNT2144	Drive Shaft Washer	BNT4887	Clutch Plate	BNT5383	Line Guide Pawl
BNT2221	Handle Nut	BNT5258	Handle Nut Plate	BNT5384	Screw
BNT2224	Spool Tension Spacer (A)	BNT5264	Anti-reverse Ratchet	BNT5385	Clutch Pawl Spring
BNT2396	Roller Clutch Bearing	BNT5266	Screw	BNT5386	Ball Bearing
BNT3208	Star Drag Click Plate	BNT5269	Level Wind Guard	BNT5389	Brake Ring
BNT3474	Roller Clutch Inner Tube	BNT5271	Pinion Gear	BNT5390	Screw
BNT4124	Star Drag Spring	BNT5273	Clutch Bar Guide	BNT5391	Dial Case
BNT4125	Star Drag Nut	BNT5274	Clutch Lever	BNT5403	Worm Shaft
BNT4130	Drag Washer	BNT5275	Stabilizer Bar	BNT5405	Handle Assembly
BNT4343	Ball Bearing	BNT5276	Side Plate Cam Lever	BNT5406	Star Drag
BNT4588	Washer	BNT5277	Cam Lever Retainer	BNT5407	Cast Control Cap
BNT4631	Idle Gear Pin	BNT5282	Washer	BNT5408	Right Side Plate
BNT4652	Brake Shoe M	BNT5306	Spool Tension Spring	BNT5409	Drive Shaft Bushing
BNT4729	O Ring	BNT5308	Washer	BNT5410	Level Wind Protector
BNT4868	Key Washer	BNT5311	Screw	BNT5411	Frame
BNT4869	Drive Gear	BNT5319	Bearing Retainer	BNT5412	Spool Assembly
BNT4872	Idle Gear	BNT5327	Idle Gear Spring	BNT5413	Left Side Plate
BNT4874	Pawl Cap	BNT5329	Drive Shaft Retainer		
BNT4875	Line Guide	BNT5331	Spacer	BNT4692	B-100 Oil (accessory)