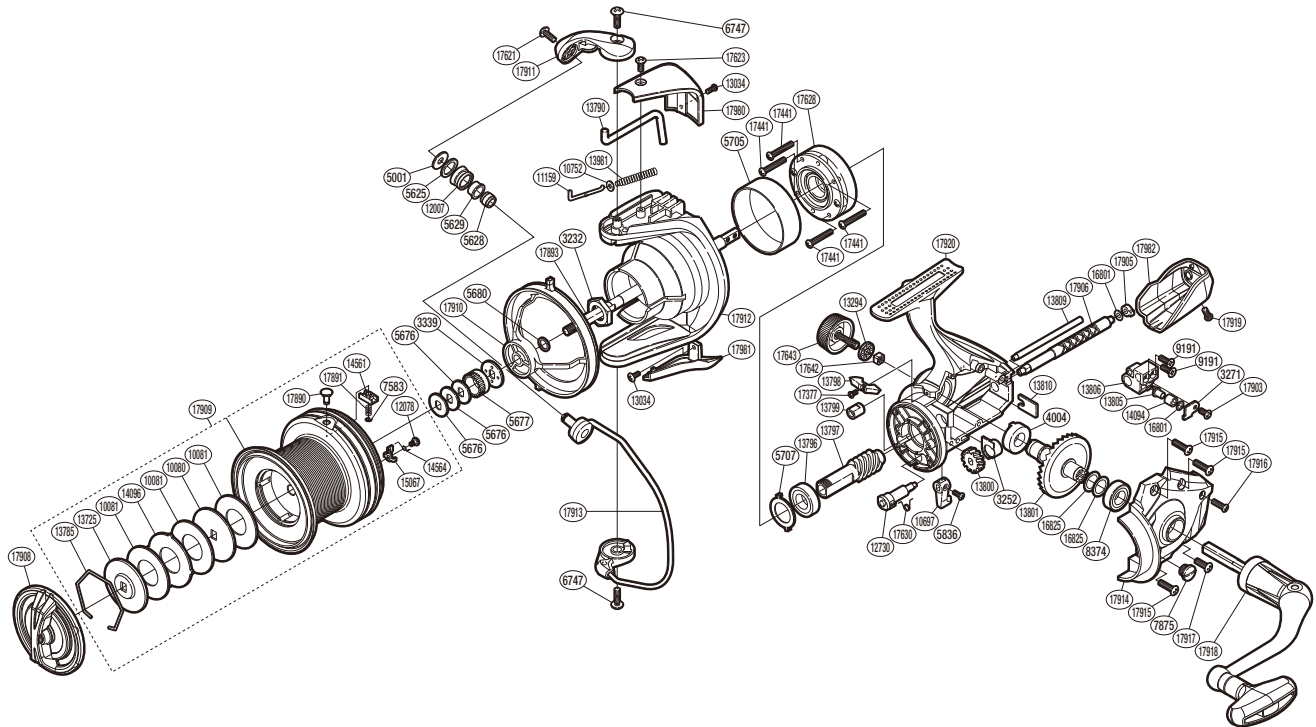


# SHIMANO

## AERLEX

## ALX-10000XTB



Please note that the number of adjusting washers may not be the same as shown in the exploded views.  
(51SH199002X) (Adjustment will vary with each individual product.)

Part No.	Description	Part No.	Description	Part No.	Description
RD 3232	Rotor Nut	RD12730	Anti-reverse Cam	RD17623	Screw
RD 3252	Bushing	RD13034	Screw	RD17628	Roller Clutch Assembly
RD 3271	Oscillating Pawl Cover	RD13294	Washer	RD17630	Anti-reverse Cam Spring
RD 3339	Spool Support (B)	RD13725	Key Washer	RD17642	Handle Screw Lock
RD 4004	Drive Gear Bushing	RD13785	Drag Washers Retainer	RD17643	Handle Screw Cap
RD 5001	Line Roller Washer	RD13790	Bail Trip Lever	RD17890	Line Clip
RD 5625	Line Roller Spacer	RD13796	Ball Bearing	RD17891	Line Clip Spring
RD 5628	Line Roller Collar	RD13797	Pinion Gear	RD17893	Main Shaft
RD 5629	Line Roller Bushing	RD13798	Bail Trip Strike	RD17903	Screw
RD 5676	Spool Washer	RD13799	Worm Bushing (Front)	RD17905	Worm Bushing (Rear)
RD 5677	Spool Support (A)	RD13800	Idle Gear	RD17906	Worm Shaft
RD 5680	Line Safety Guard Spacer (B)	RD13801	Drive Gear	RD17908	Drag Knob
RD 5705	Roller Clutch Ring	RD13805	Oscillating Pawl	RD17909	Spool Assembly
RD 5707	Bearing Washer	RD13806	Oscillating Slider	RD17910	Line Safety Guard
RD 5836	Screw	RD13809	Oscillating Guide	RD17911	Bail Arm
RD 6747	Screw	RD13810	Worm Shaft Retainer	RD17912	Rotor
RD 7583	E Lock	RD13981	Bail Spring	RD17913	Bail Assembly
RD 7875	Oil Cap	RD14094	Oscillating Slider Bushing	RD17914	Side Cover
RD 8374	Ball Bearing	RD14096	Eared Washer	RD17915	Screw
RD 9191	Screw	RD14561	Line Clip Holder	RD17916	Screw
RD10080	Key Washer	RD14564	Drag Click Spring	RD17917	Screw
RD10081	Drag Washer	RD15067	Drag Click	RD17918	Handle Assembly
RD10697	Anti-reverse Lever	RD16801	Washer	RD17919	Screw
RD10752	Bail Spring Guide A Support	RD16825	Washer	RD17920	Body
RD11159	Bail Spring Guide A	RD17377	Screw	RD17980	Bail Spring Cover
RD12007	Line Roller	RD17441	Screw	RD17981	Bail Hold Support Guard
RD12078	Screw	RD17621	Screw	RD17982	Rear Protector