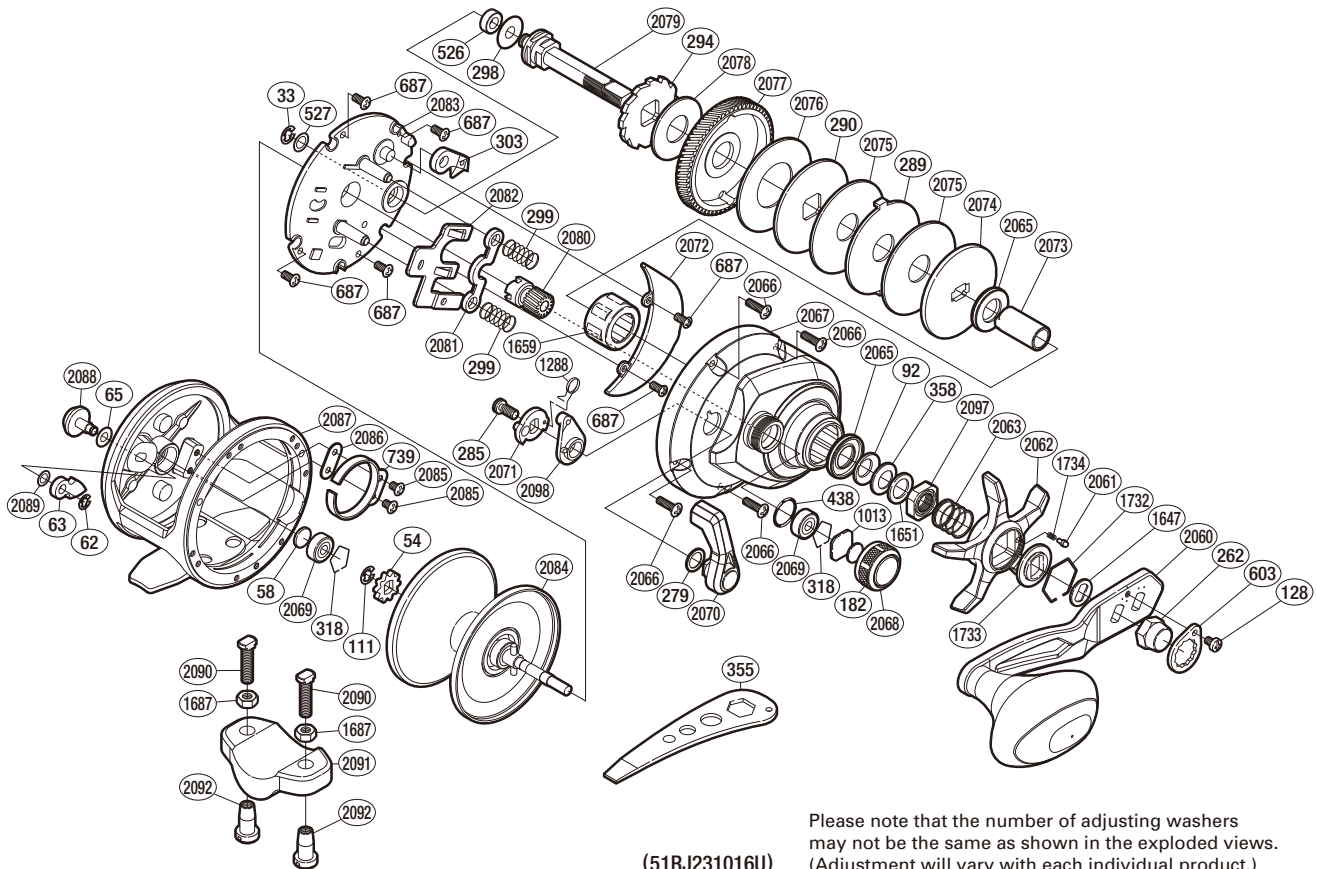


SHIMANO

TORIUM S A-RB

TOR-16HGA



(51RJ231016U)

Please note that the number of adjusting washers may not be the same as shown in the exploded views. (Adjustment will vary with each individual product.)

Part No.	Description	Part No.	Description	Part No.	Description
TGT0033	Drive Shaft Retainer	TGT0687	Screw	TGT2076	Drag Washer B
TGT0054	Click Gear	TGT0739	Click Spring	TGT2077	Drive Gear
TGT0058	Spacer B	TGT1013	Spool Tension Spacer	TGT2078	Drag Washer A
TGT0062	E Lock	TGT1288	Clutch Spring	TGT2079	Drive Shaft
TGT0063	Click Pawl	TGT1647	Drive Shaft Shield	TGT2080	Pinion Gear
TGT0065	Spacer A	TGT1651	Star Drag Spacer	TGT2081	Yoke
TGT0092	Coned Disc Spring (8H)	TGT1659	Roller Clutch Bearing	TGT2082	Yoke Plate
TGT0111	E Lock	TGT1732	Click Plate Retainer	TGT2083	A Side Plate Set
TGT0128	Screw	TGT1733	Star Drag Click Plate	TGT2084	Spool Assembly
TGT0182	Cast Control Spacer	TGT1734	Click Spring	TGT2085	Screw
TGT0262	Handle Nut	TGT2060	Handle Assembly	TGT2086	Click Spring Washer
TGT0279	Smoother	TGT2061	Click Pin (B)	TGT2087	One-piece Frame
TGT0285	Screw	TGT2062	Star Drag	TGT2088	Click Button
TGT0289	Eared Washer (E)	TGT2063	Star Drag Spring	TGT2089	Washer
TGT0290	Key Washer (C)	TGT2065	Roller Clutch Water Proof	TGT2097	Star Drag Nut
TGT0294	Anti-reverse Ratchet	TGT2066	Screw	TGT2098	Eccentric Cam Bushing
TGT0298	Washer	TGT2067	A Side Plate		
TGT0299	Yoke Spring	TGT2068	Cast Control Cap	TGT1687	Rod Clamp Nut B (accessory)
TGT0303	Anti-reverse Pawl	TGT2069	Ball Bearing	TGT2090	Rod Clamp Bolt (accessory)
TGT0318	Bearing Retainer	TGT2070	Clutch Lever	TGT2091	Rod Clamp (accessory)
TGT0358	Coned Disc Spring (8L)	TGT2071	Clutch Cam	TGT2092	Rod Clamp Nut A (accessory)
TGT0438	O Ring	TGT2072	Set Plate Sticker		
TGT0526	Drive Shaft Bushing	TGT2073	Roller Clutch Inner Tube		
TGT0527	Washer	TGT2074	Key Washer		
TGT0603	Handle Nut Plate	TGT2075	Drag Washer D	TGT0355	Wrench (accessory)

(141218)