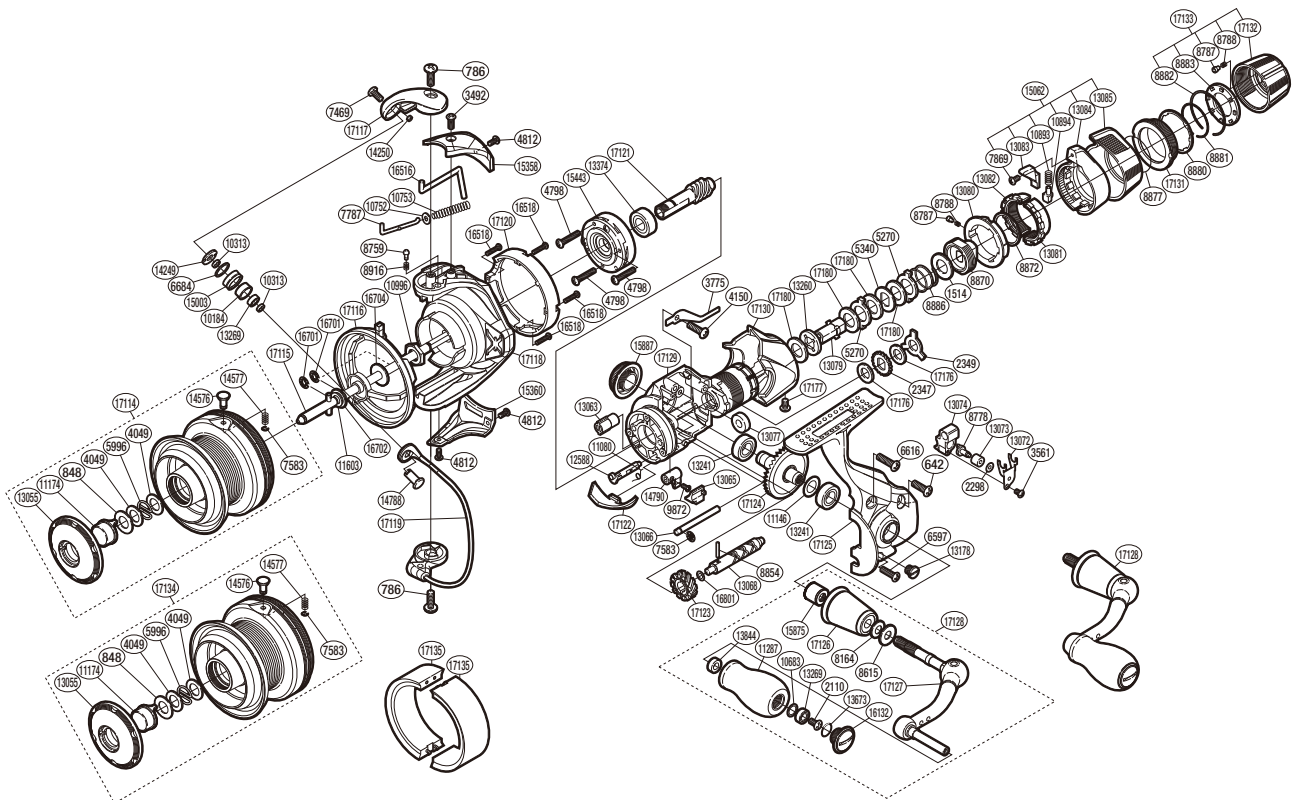


SHIMANO

STRADIC *C14+* SA-RB

STCI4-4000RA



Please note that the number of adjusting washers may not be the same as shown in the exploded views. (51SH414000G) (Adjustment will vary with each individual product.)

Part No.	Description	Part No.	Description	Part No.	Description
RD 0642	Screw	RD10184	Line Roller Bushing	RD14790	Anti-Reverse Lever
RD 0786	Screw	RD10313	Bearing Spacer	RD15003	Line Roller
RD 0848	Washer	RD10683	Washer	RD15062	Fightin Lever Assembly
RD 1514	Washer	RD10752	Bail Spring Guide A Support	RD15358	Bail Spring Cover
RD 2110	Screw	RD10753	Bail Spring	RD15360	Bail Hold Support Guard
RD 2298	Spacer	RD10893	Position Pin Spring	RD15443	Roller Clutch Assembly
RD 2347	Click Gear	RD10894	Lever Position Pin	RD15875	Handle Shaft Cover B
RD 2349	Eared Washer	RD10996	Rotor Nut	RD15887	Handle Screw Cap
RD 3492	Screw	RD11080	Anti-Reverse Cam Spring	RD16132	Handle Knob Seal
RD 3561	Screw	RD11146	Washer	RD16516	Bail Trip Lever
RD 3775	Drag Click	RD11174	Push Button	RD16518	Screw
RD 4049	Washer	RD11287	Handle Knob	RD16701	E Lock
RD 4150	Screw	RD11603	Washer	RD16702	Line Safety Guard Spacer
RD 4798	Screw	RD12588	Anti-Reverse Cam	RD16704	Line Safety Guard Washer
RD 4812	Screw	RD13055	Push Button Collar	RD16801	Washer
RD 5270	Eared Washer	RD13063	Worm Bushing	RD17114	Spool Assembly
RD 5340	Key Washer	RD13065	Anti-Reverse Lever Cover	RD17115	Main Shaft
RD 5996	Locking Spring	RD13066	Oscillating Guide	RD17116	Line Safety Guard
RD 6597	Screw	RD13068	Worm Shaft	RD17117	Bail Arm
RD 6616	Screw	RD13072	Oscillating Slider Retainer	RD17118	Rotor
RD 6684	Line Roller Spacer	RD13073	Oscillating Slider Bushing	RD17119	Bail Assembly
RD 7469	Screw	RD13074	Oscillating Slider	RD17120	Rotor Cover
RD 7583	E Lock	RD13077	Drag Shaft C	RD17121	Pinion Gear
RD 7787	Bail Spring Guide A	RD13079	Drag Shaft A	RD17122	Bail Trip Strike
RD 7869	Screw	RD13080	Lever Click Gear	RD17123	Idle Gear
RD 8164	Coned Disc Spring	RD13081	Fightin Pressure Screw	RD17124	Drive Gear
RD 8165	Large Handle Shank Washer	RD13082	Fightin Pressure Screw B	RD17125	Side Cover
RD 8759	Click Pin	RD13083	Fightin Lever Inner B	RD17126	Handle Shaft Cover
RD 8778	Oscillating Pawl	RD13084	Fightin Lever Inner A	RD17127	Handle Shank Assembly
RD 8787	Click Pin	RD13085	Fightin Lever Outer	RD17128	Handle Assembly
RD 8788	Click Spring	RD13178	Oil Cap	RD17129	Body
RD 8854	Worm Shaft Pin	RD13241	Ball Bearing	RD17130	Rear Protector
RD 8870	Pressure Screw	RD13260	Drag Shaft B	RD17131	Drag Programmer B
RD 8872	Fightin Pressure Screw Washer	RD13269	Ball Bearing	RD17132	Drag Programmer A
RD 8877	Drag Knob Friction Ring	RD13374	Ball Bearing	RD17133	Drag Programmer Assembly
RD 8880	Drag Knob Washer	RD13673	O Ring	RD17176	Drag Washer
RD 8881	Drag Knob Retainer	RD13844	Handle Knob Bushing	RD17177	Screw
RD 8882	Click Plate Retainer	RD14249	Line Roller Plate	RD17180	Drag Washer
RD 8883	Click Plate	RD14250	Line Roller Oil Cap		
RD 8886	Drag Coil Spring	RD14576	Line Clip	RD17134	Spare Spool Assembly
RD 8916	Click Spring	RD14577	Line Clip Spring		
RD 9872	Screw	RD14788	Line Roller Support	RD17135	Spool Economizer (accessory)