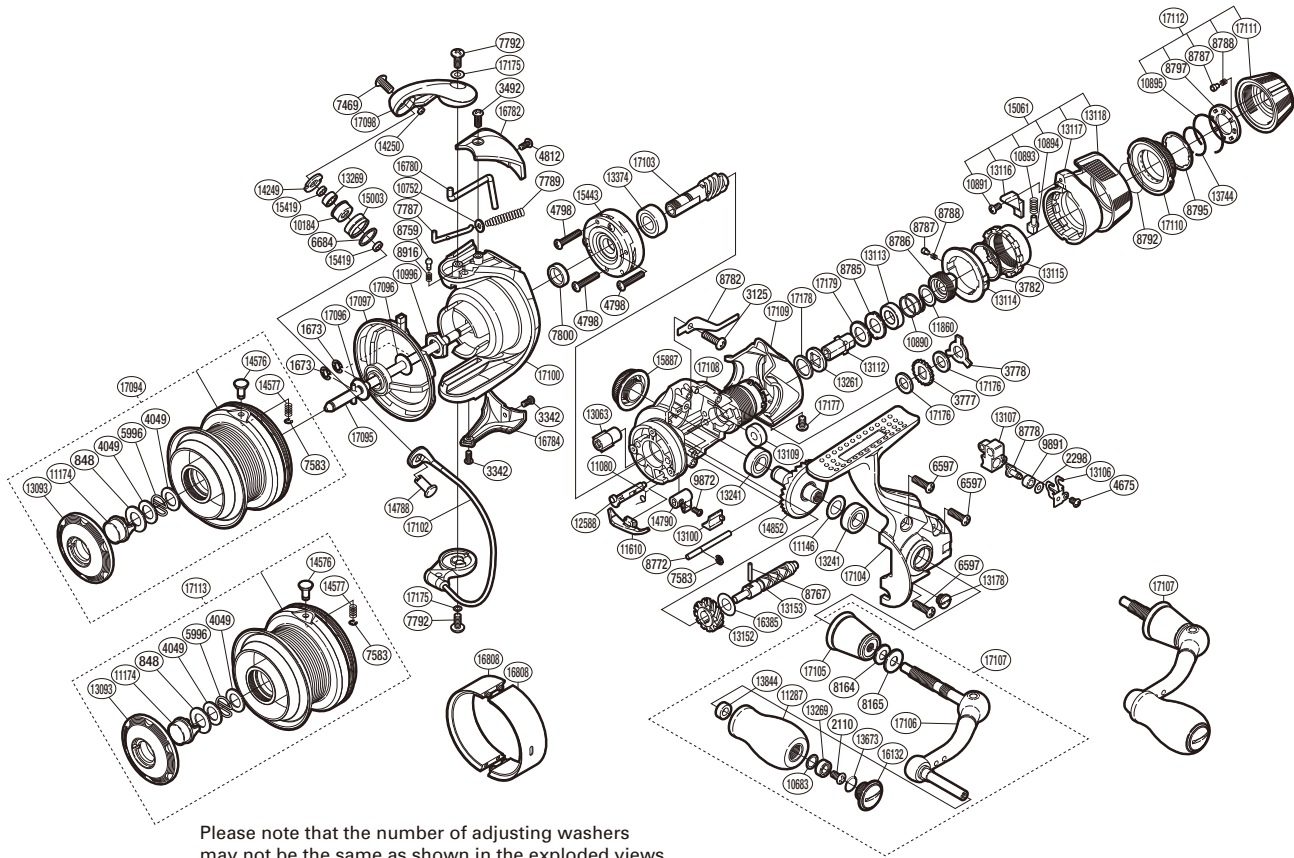


SHIMANO

STRADIC **C14+** SA-RB

STCI4-2500RA



Please note that the number of adjusting washers may not be the same as shown in the exploded views. (51SH412500G) (Adjustment will vary with each individual product.)

Part No.	Description	Part No.	Description	Part No.	Description
RD 0848	Washer	RD10184	Line Roller Bushing	RD14576	Line Clip
RD 1673	E Lock	RD10683	Washer	RD14577	Line Clip Spring
RD 2110	Screw	RD10752	Bail Spring Guide A Support	RD14788	Line Roller Support
RD 2298	Spacer	RD10890	Drag Coil Spring	RD14790	Anti-Reverse Lever
RD 3125	Screw	RD10891	Screw	RD14852	Drive Gear
RD 3342	Screw	RD10893	Position Pin Spring	RD15003	Line Roller
RD 3492	Screw	RD10894	Lever Position Pin	RD15061	Fightin Lever Assembly
RD 3777	Click Gear	RD10895	Click Plate Retainer	RD15419	Bearing Spacer
RD 3778	Eared Washer	RD10996	Rotor Nut	RD15443	Roller Clutch Assembly
RD 3782	Fightin Pressure Screw Washer	RD11080	Anti-Reverse Cam Spring	RD15887	Handle Screw Cap
RD 4049	Washer	RD11146	Washer	RD16132	Handle Knob Seal
RD 4675	Screw	RD11174	Push Button	RD16385	Washer
RD 4798	Screw	RD11287	Handle Knob	RD16780	Bail Trip Lever
RD 4812	Screw	RD11610	Bail Trip Strike	RD16782	Bail Spring Cover
RD 5996	Locking Spring	RD11860	Washer	RD16784	Bail Hold Support Guard
RD 6597	Screw	RD12588	Anti-Reverse Cam	RD17094	Spool Assembly
RD 6684	Line Roller Spacer	RD13063	Worm Bushing	RD17095	Main Shaft
RD 6903	Key Washer	RD13093	Push Button Collar	RD17096	Washer
RD 7469	Screw	RD13100	Anti-Reverse Lever Cover	RD17097	Line Safety Guard
RD 7583	E Lock	RD13106	Oscillating Slider Retainer	RD17098	Bail Arm
RD 7787	Bail Spring Guide A	RD13107	Oscillating Slider	RD17100	Rotor
RD 7789	Bail Spring	RD13109	Drag Shaft C	RD17102	Bail Assembly
RD 7792	Screw	RD13112	Drag Shaft A	RD17103	Pinion Gear
RD 7800	Rotor Ring	RD13113	Drag Collar	RD17104	Side Cover
RD 8164	Coned Disc Spring	RD13114	Lever Click Gear	RD17105	Handle Shaft Cover
RD 8165	Large Handle Shank Washer	RD13115	Fightin Pressure Screw	RD17106	Handle Shank Assembly
RD 8759	Click Pin	RD13116	Fightin Lever Inner B	RD17107	Handle Assembly
RD 8767	Worm Shaft Pin	RD13117	Fightin Lever Inner A	RD17108	Body
RD 8772	Oscillating Guide	RD13118	Fightin Lever Outer	RD17109	Rear Protector
RD 8778	Oscillating Pawl	RD13152	Idle Gear	RD17110	Drag Programmer B
RD 8782	Drag Click	RD13153	Worm Shaft	RD17111	Drag Programmer A
RD 8785	Eared Washer	RD13178	Oil Cap	RD17112	Drag Programmer Assembly
RD 8786	Pressure Screw	RD13241	Ball Bearing	RD17175	Washer
RD 8787	Click Pin	RD13261	Drag Shaft B	RD17176	Drag Washer
RD 8788	Click Spring	RD13269	Ball Bearing	RD17177	Screw
RD 8792	Drag Knob Friction Ring	RD13374	Ball Bearing	RD17178	Drag Washer
RD 8795	Drag Knob Washer	RD13673	O Ring	RD17179	Drag Washer
RD 8797	Click Plate	RD13744	Drag Knob Retainer		
RD 8916	Click Spring	RD13844	Handle Knob Bushing	RD17113	Spare Spool Assembly
RD 9872	Screw	RD14249	Line Roller Plate		
RD 9891	Oscillating Slider Bushing	RD14250	Line Roller Oil Cap	RD16808	Spool Economizer 1000 (accessory)