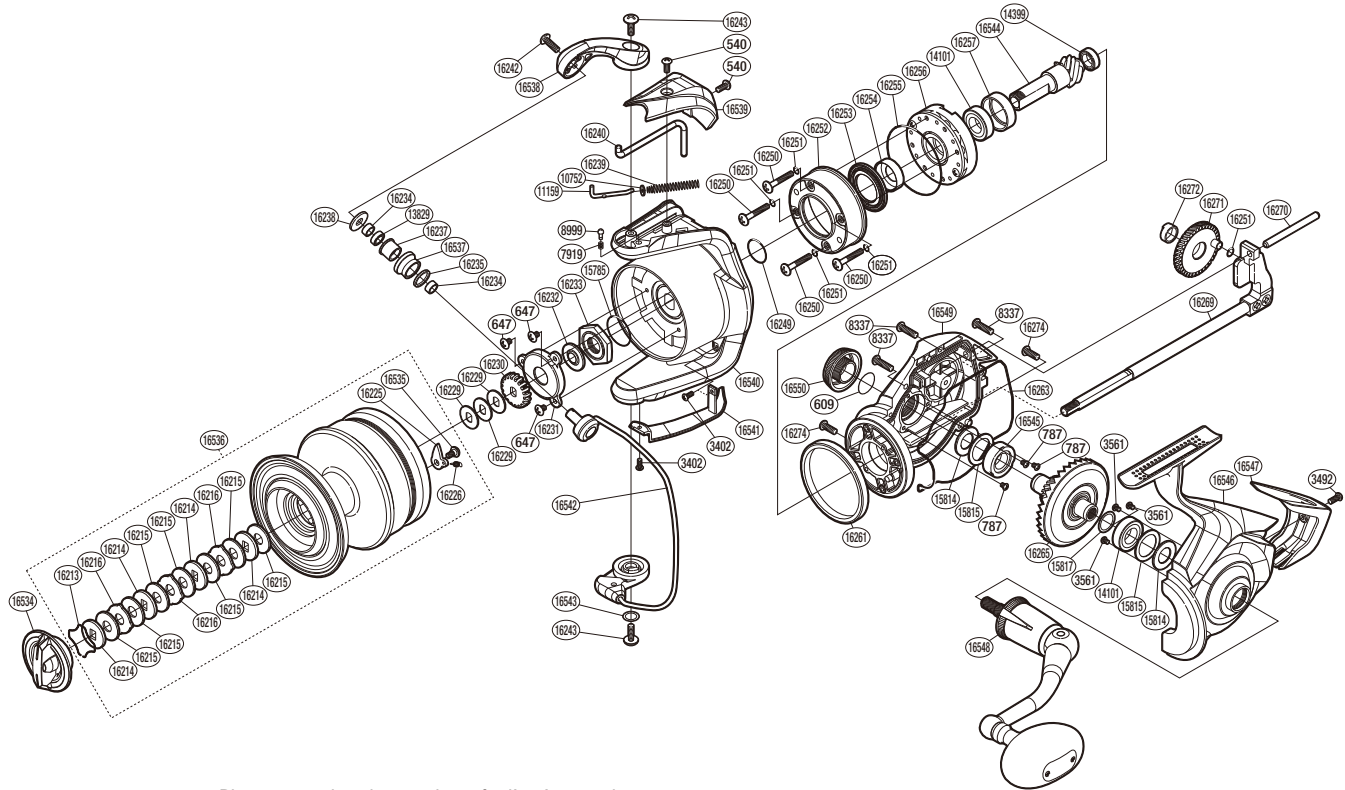


SHIMANO

SPHEROS A-RB

14SP20000SW



Please note that the number of adjusting washers may not be the same as shown in the exploded views. (Adjustment will vary with each individual product.)

(51SD959904G)

Part No.	Description	Part No.	Description	Part No.	Description
RD 0540	Screw	RD16230	Spool Support	RD16271	Oscillating Gear *
RD 0609	O Ring	RD16231	Nut Lock Plate	RD16272	Oscillating Gear Bushing *
RD 0647	Screw	RD16232	Bearing Water Proof	RD16274	Screw
RD 0787	Screw **	RD16233	Rotor Nut	RD16534	Drag Knob
RD 3402	Screw	RD16234	Line Roller Collar ***	RD16535	Screw
RD 3492	Screw	RD16235	Line Roller Spacer ***	RD16536	Spool Assembly
RD 3561	Screw **	RD16237	Line Roller Bushing ***	RD16537	Line Roller ***
RD 7919	Click Spring	RD16238	Line Roller Washer ***	RD16538	Bail Arm
RD 8337	Screw	RD16239	Bail Spring	RD16539	Bail Spring Cover
RD 8999	Click Pin	RD16240	Bail Trip Lever	RD16540	Rotor
RD10752	Spring Guide A Support	RD16242	Screw ***	RD16541	Bail Hold Support Guard
RD11159	Bail Spring Guide A	RD16243	Screw	RD16542	Bail Assembly
RD13829	Ball Bearing ***	RD16249	O Ring	RD16543	Washer
RD14101	Ball Bearing **	RD16250	Screw	RD16544	Pinion Gear *
RD14399	Ball Bearing **	RD16251	O Ring *	RD16545	Drive Gear Bushing **
RD15785	O Ring	RD16252	Roller Clutch Water Proof Cover	RD16546	Side Cover
RD15814	Bearing Water Proof **	RD16253	Roller Clutch Water Proof	RD16547	Rear Protector
RD15815	Washer **	RD16254	Rotor Ring	RD16548	Handle Assembly
RD15817	Washer **/**	RD16255	O Ring	RD16549	Body
RD16213	Drag Washers Retainer	RD16256	Roller Clutch Assembly	RD16550	Handle Screw Cap
RD16214	Key Washer	RD16257	Bearing Housing		
RD16215	Drag Washer	RD16261	Friction Ring		
RD16216	Eared Washer	RD16263	Body Seal		
RD16225	Drag Click	RD16265	Drive Gear *	PK 0263	Gear Set *
RD16226	Drag Click Spring	RD16269	Main Shaft Assembly	PK 0264	Bearing Set **
RD16229	Spool Support Washer	RD16270	Oscillating Guide	PK 0265	Line Roller Set ***