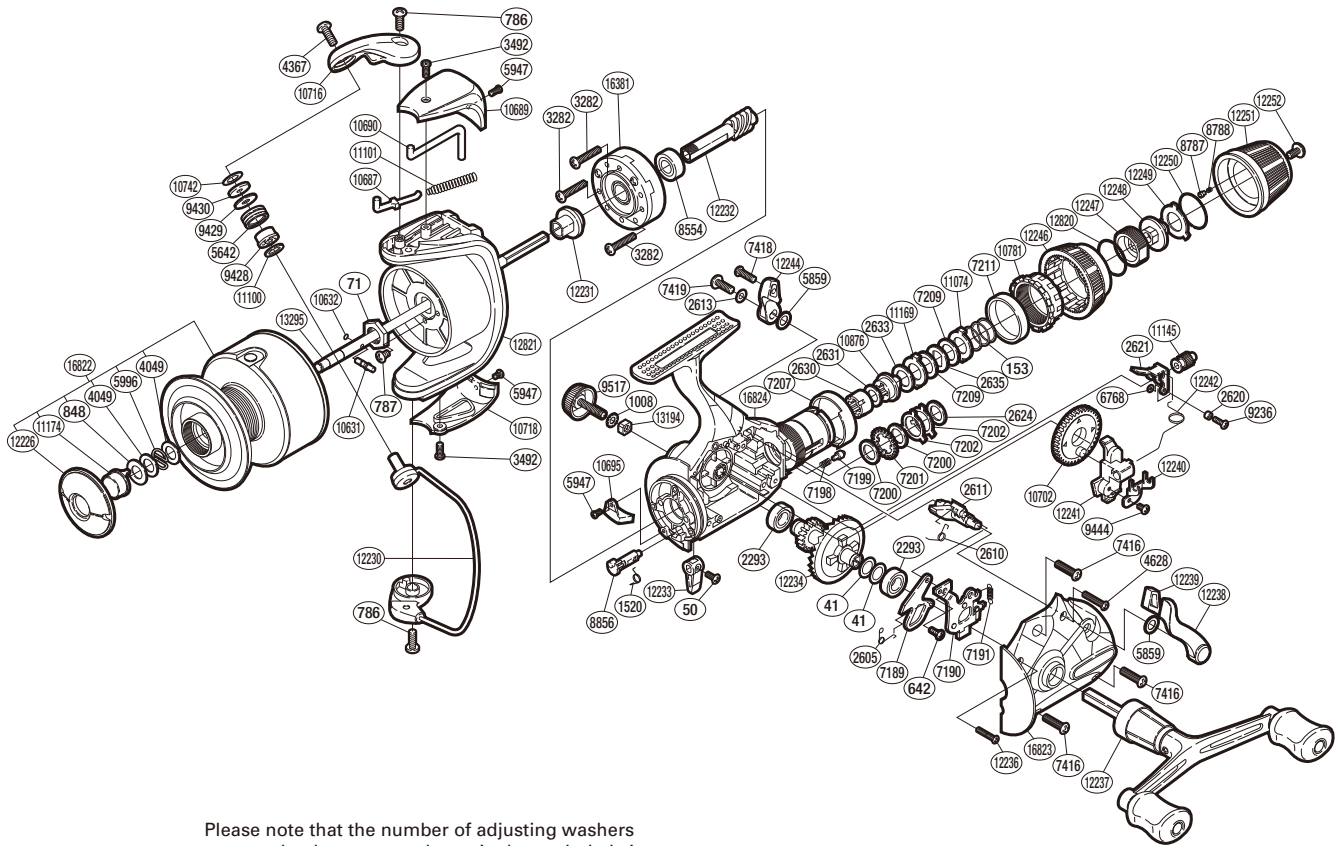


# SHIMANO

## BAITRUNNER ST

## BTRST-10000RB



Please note that the number of adjusting washers may not be the same as shown in the exploded views. (Adjustment will vary with each individual product.)

(51SH029001G)

Part No.	Description	Part No.	Description	Part No.	Description
RD 0041	Washer *	RD 7199	Dial Click Shoe	RD11169	Eared Washer
RD 0050	Screw	RD 7200	Drag Washer	RD11174	Push Button
RD 0071	Rotor Nut	RD 7201	Click Gear	RD12226	Push Button Collar
RD 0153	Drag Coil Spring	RD 7202	Eared Washer	RD12230	Bail Assembly
RD 0642	Screw	RD 7207	Dial Spacer	RD12231	Rotor Spacer
RD 0786	Screw	RD 7209	Drag Washer	RD12232	Pinion Gear *
RD 0787	Screw	RD 7211	Dial Washer	RD12233	Anti-Reverse Lever
RD 0848	Washer	RD 7416	Screw	RD12234	Drive Gear *
RD 1008	Handle Lock Washer	RD 7418	Screw	RD12236	Screw
RD 1520	Anti-Reverse Cam Spring	RD 7419	Screw	RD12237	Double Paddle Handle Assembly
RD 2293	Drive Gear Bushing **	RD 8554	Bail Bearing **	RD12238	Baitrunner Lever Arm L
RD 2605	Clutch Pawl Spring	RD 8787	Click Pin	RD12239	Baitrunner Lever Bridge
RD 2610	Clutch Spring	RD 8788	Click Spring	RD12240	Oscillating Slider Retainer
RD 2611	Baitrunner Lever Shaft	RD 8856	Anti-reverse Cam	RD12241	Oscillating Slider
RD 2613	Lock Washer	RD 9236	Screw	RD12242	Clutch Shaft Spring
RD 2620	Clutch Screw Collar	RD 9428	Line Roller Bushing ***	RD12244	Baitrunner Lever Arm R
RD 2621	Baitrunner Clutch	RD 9429	Line Roller Spacer ***	RD12246	Baitrunner Tension Dial
RD 2624	Drag Washer	RD 9430	Line Roller Washer ***	RD12247	Pressure Screw B
RD 2630	Free Spool Tension Shaft	RD 9444	Screw	RD12248	Pressure Screw A
RD 2631	Drag Washer	RD 9517	Handle Screw Cap	RD12249	Click Plate
RD 2633	Drag Washer	RD10631	Main Shaft Pin	RD12250	Click Plate Retainer
RD 2635	Key Washer	RD10632	O Ring	RD12251	Drag Programmer
RD 3282	Screw	RD10687	Bail Spring Guide A	RD12252	Screw
RD 3492	Screw	RD10689	Bail Spring Cover	RD12820	Baitrunner Tension Dial Retainer
RD 4049	Washer	RD10690	Bail Trip Lever	RD12821	Rotor
RD 4367	Screw ***	RD10695	Bail Trip Strike	RD13194	Handle Screw Lock
RD 4628	Screw	RD10702	Oscillating Gear *	RD13295	Main Shaft
RD 5642	Line Roller ***	RD10716	Bail Arm	RD16381	Roller Clutch Assembly
RD 5859	Spacer	RD10718	Bail Hold Support Guard	RD16822	Spool Assembly
RD 5947	Screw	RD10742	Spacer ***	RD16823	Side Cover
RD 5996	Locking Spring	RD10781	Baitrunner Tension Screw	RD16824	Body
RD 6768	Spacer	RD10876	Drag Shaft		
RD 7189	Clutch Pawl	RD11074	Eared Washer		
RD 7190	Clutch Plate Assembly	RD11100	Washer ***	PK 0286	Gear set *
RD 7191	Baitrunner Click Spring	RD11101	Bail Spring	PK 0280	Bearing set **
RD 7198	Dial Click Spring	RD11145	Clutch Shaft	PK 0287	Line roller set ***