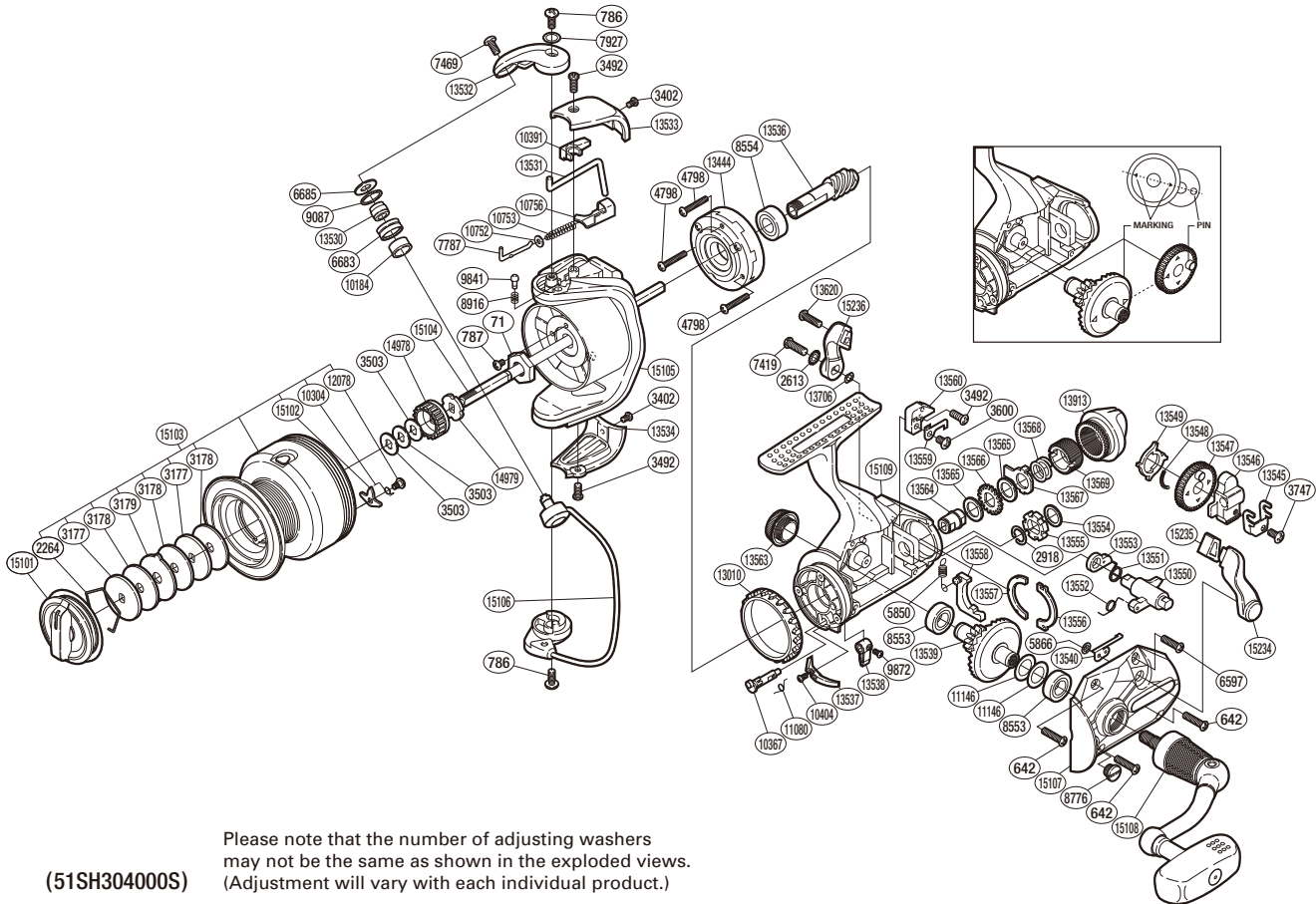


SHIMANO

BAITRUNNER

BTR-4000OC



Please note that the number of adjusting washers may not be the same as shown in the exploded views. (Adjustment will vary with each individual product.)

(51SH304000S)

RD No.	PARTS NAMES	RD No.	PARTS NAMES	RD No.	PARTS NAMES
0071	Rotor Nut	10184	Line Roller Bushing	13554	Spacer
0642	Screw	10304	Click Spring	13555	BaitRunner Ratchet
0786	Screw	10367	Anti-Reverse Cam	13556	Dial Retainer
0787	Screw	10391	Bail Trip Cover	13557	Dial Retainer B
2264	Drag Washers Retainer	10404	Screw	13558	BaitRunner Pawl
2613	Lock Washer	10752	Spring Guide A Support	13559	Dial Click
2918	C Lock	10753	Bail Spring	13560	Dial Click Holder
3177	Key Washer	10756	Bail Spring Seat	13563	Handle Screw Cap
3178	Drag Washer	11080	Anti-Reverse Cam Spring	13564	Free Spool Tension Shaft
3179	Eared Washer	11146	Washer	13565	Free Spool Tension Washer
3402	Screw	12078	Screw	13566	Click Gear
3492	Screw	13010	Friction Ring	13567	Eared Washer
3503	Spool Washer	13444	Roller Clutch Assembly	13568	Free Spool Tension Spring
3600	Screw	13530	Line Roller Collar	13569	Free Spool Tension Screw
3747	Screw	13531	Bail Trip Lever	13620	Screw
4798	Screw	13532	Bail Arm	13706	Washer
5850	BaitRunner Pawl Spring	13533	Bail Spring Cover	13913	BaitRunner Tension Dial
5866	Push Nut	13534	Bail Hold Support Guard	14978	Spool Support A
6597	Screw	13536	Pinion Gear	14979	Spool Support B
6683	Line Roller	13537	Bail Trip Strike	15101	Drag Knob
6685	Line Roller Washer	13538	Anti-Reverse Lever	15102	Drag Click
7419	Screw	13539	Drive Gear	15103	Spool Assembly
7469	Screw	13540	BaitRunner Click	15104	Main Shaft
7787	Bail Spring Guide A	13545	Oscillating Slider Retainer	15105	Rotor
7927	Washer	13546	Oscillating Slider	15106	Bail Assembly
8553	Ball Bearing	13547	Oscillating Gear	15107	Side Cover
8554	Ball Bearing	13548	Oscillating Gear Ratchet Spring	15108	Handle Assembly
8776	Oil Cap	13549	Oscillating Gear Ratchet	15109	Body
8916	Click Spring	13550	Clutch Arm	15234	BaitRunner Lever Arm L
9087	Line Roller Spacer	13551	Clutch Cam Spring	15235	BaitRunner Lever Bridge
9841	Click Pin	13552	Clutch Spring	15236	BaitRunner Lever Arm R
9872	Screw	13553	Clutch Cam		

(150918)