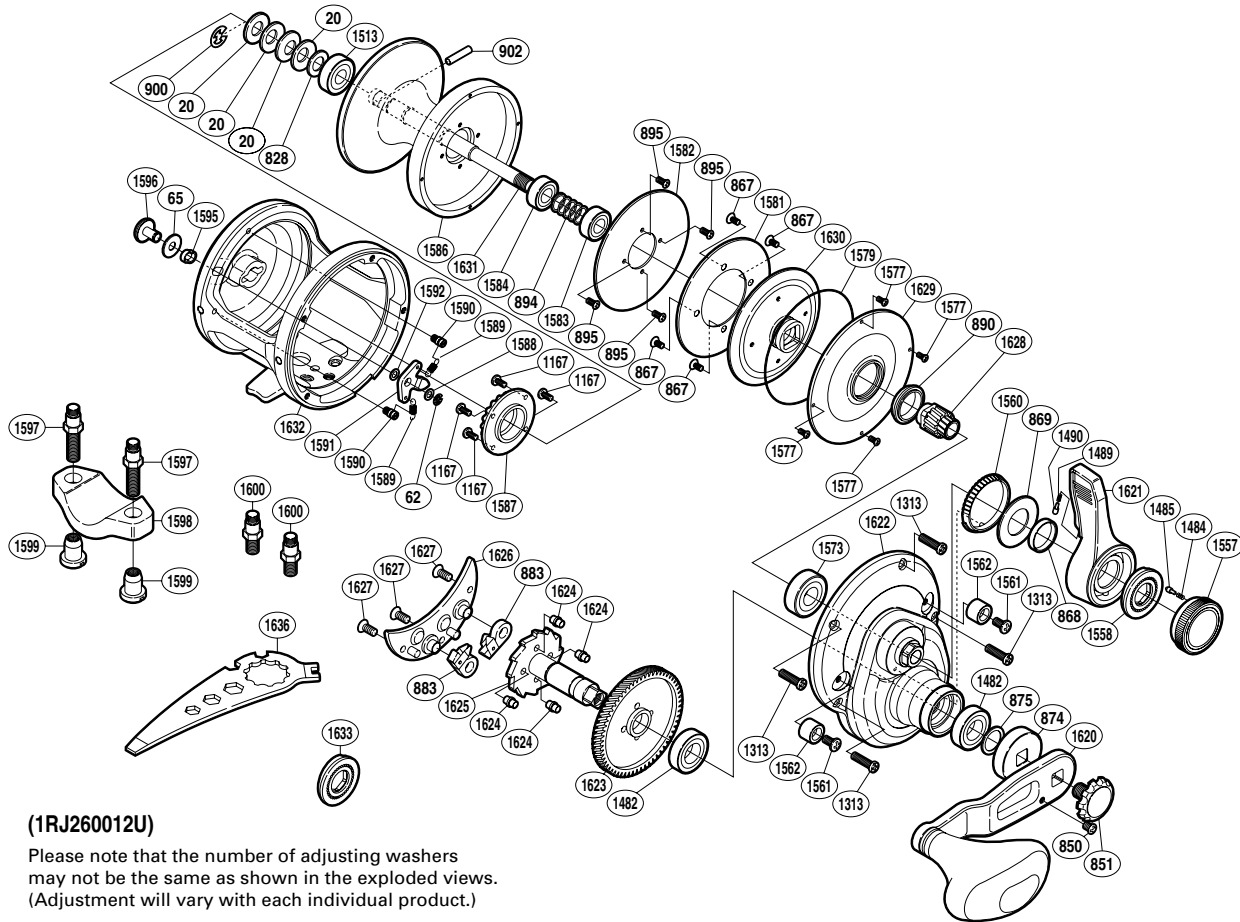


SHIMANO

TALICA S A-RB

TAC-12



(1RJ260012U)

Please note that the number of adjusting washers may not be the same as shown in the exploded views. (Adjustment will vary with each individual product.)

Part No.	Description	Part No.	Description	Part No.	Description
TGT0020	Coned Disc Spring	TGT1490	Lever Click	TGT1620	Handle
TGT0062	E Lock	TGT1513	Ball Bearing	TGT1621	Drag Control Lever
TGT0065	Spacer	TGT1557	Pre-Program Dial	TGT1622	Right Side Plate
TGT0828	Bearing Thrust Washer	TGT1558	Lever Shaft Body	TGT1623	Drive Gear
TGT0850	Screw	TGT1560	Lever Click Gear	TGT1624	Anti-Reverse Ratchet Pin
TGT0851	Handle Bolt	TGT1561	Screw	TGT1625	Anti-Reverse Ratchet
TGT0867	Screw	TGT1562	Bolt Shield	TGT1626	Set Plate
TGT0868	Lever Thrust Ring	TGT1573	Ball Bearing	TGT1627	Screw
TGT0869	Washer	TGT1577	Screw	TGT1628	Pinion Gear
TGT0874	Gear Shaft Shield	TGT1579	O Ring	TGT1629	Cooling Shield
TGT0875	Washer	TGT1581	Drag Plate	TGT1630	Pinion Guard
TGT0883	Anti-Reverse Pawl	TGT1582	Drag Washer	TGT1631	Spool Shaft
TGT0890	Waterproof Ring	TGT1583	Ball Bearing	TGT1632	One-Piece Frame
TGT0894	Pressure Release Spring	TGT1584	Ball Bearing		
TGT0895	Screw	TGT1586	Spool		
TGT0900	E Lock	TGT1587	Click Gear Support	TGT1597	Rod Clamp Bolt (accessory)
TGT0902	Cross Pin	TGT1588	Spacer	TGT1598	Rod Clamp (accessory)
TGT1167	Screw	TGT1589	Click Pawl Spring	TGT1599	Rod Clamp Nut (accessory)
TGT1313	Screw	TGT1590	Click Spring Shaft	TGT1600	Rod Clamp Bolt S (accessory)
TGT1482	Ball Bearing	TGT1591	Click Pawl		
TGT1484	Click Spring	TGT1592	Spacer	TGT1636	Wrench (accessory)
TGT1485	Click Pin	TGT1595	Click Switch Cam		
TGT1489	Lever Click Shoe	TGT1596	Click Button	TGT1633	Lever Shaft Body (SFS) (accessory)